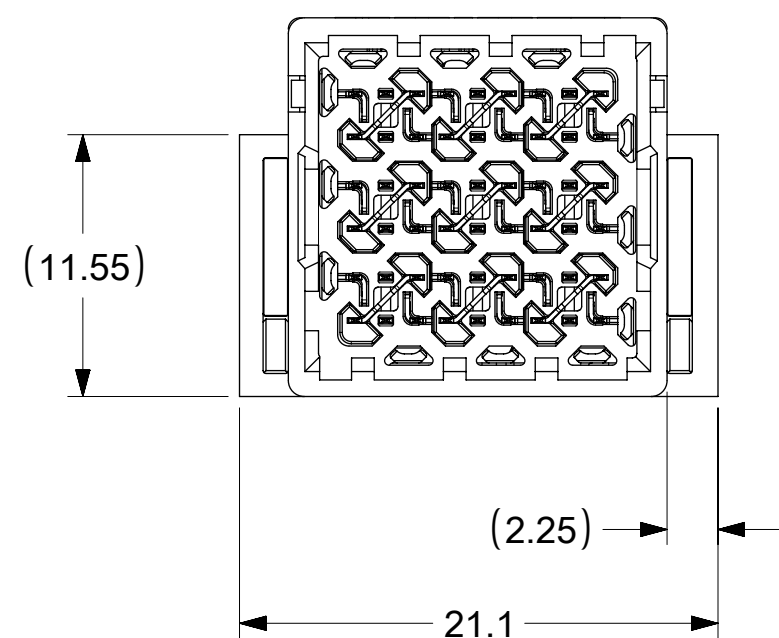
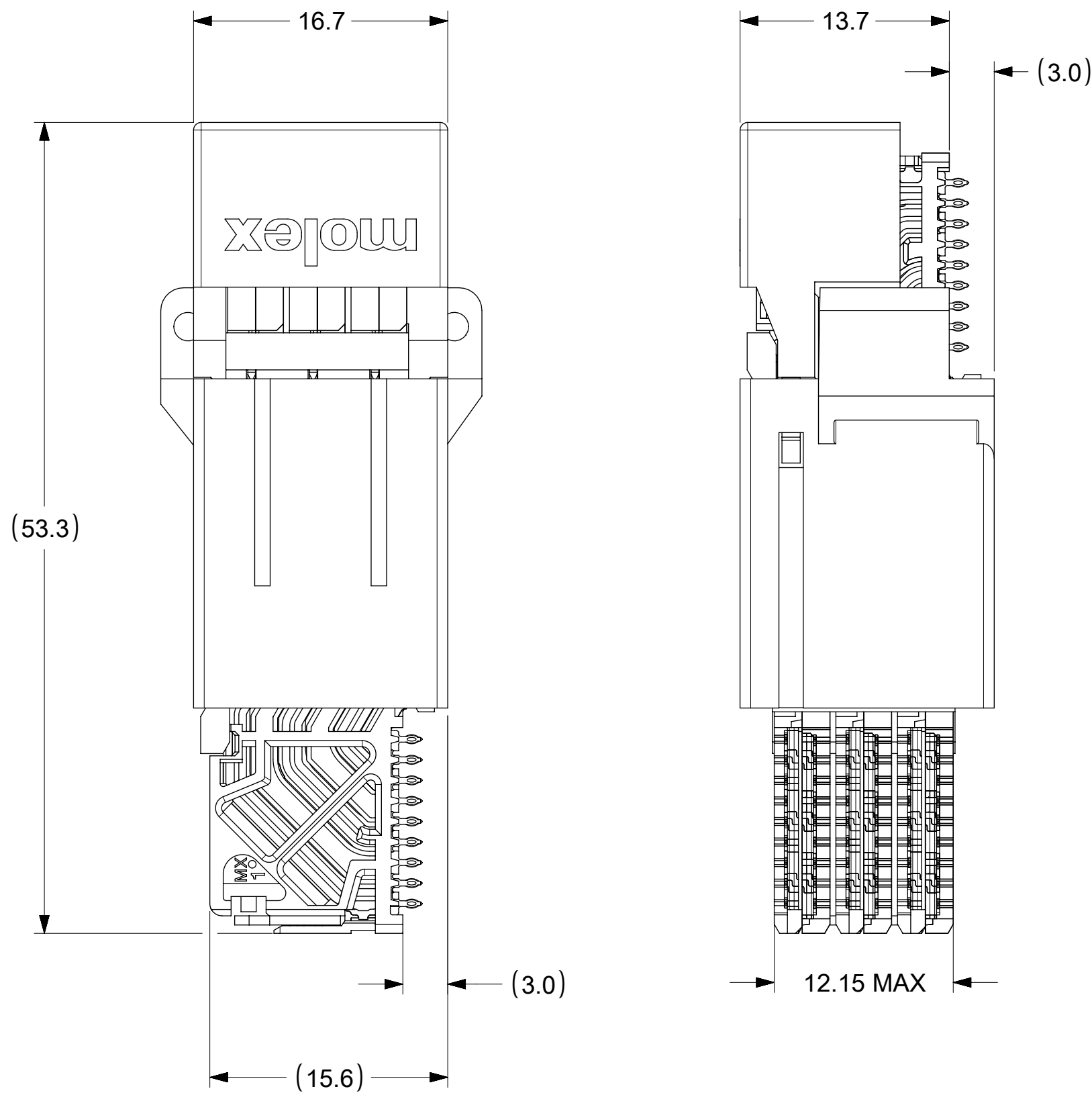


## OD-RAM HOLE PATTERN (CONNECTOR SIDE)



FUNCTIONAL SYMBOLS	THIS DRAWING CONTAINS INFORMATION THAT IS PROPRIETARY TO MOLEX ELECTRONIC TECHNOLOGIES, LLC AND SHOULD NOT BE USED WITHOUT WRITTEN PERMISSION		CURRENT REV DESC: MIGRATED TO NX		
	DIMENSION UNITS	SCALE			
$\nabla_A = 0$	mm	NTS			<b>IMPACT ORTHOGONAL DIRECT</b> <b>3 PAIR RAM 90 &amp; 270 ASSY UNGUIDED SALES</b> <b>DRAWING</b>
$\nabla_C = 0$	GENERAL TOLERANCES (UNLESS SPECIFIED)				
$\nabla_P = 0$	ANGULAR TOL ± 0.5°				<b>PRODUCT CUSTOMER DRAWING</b>
DIVISIONAL SYMBOLS	4 PLACES	±	EC NO: 705090	2018/08/29	
	3 PLACES	±	DRWN: ABN	2022/03/07	
	2 PLACES	± 0.13	CHK'D: DYARAS	2022/05/13	
	1 PLACE	± 0.25	APPR: LZENG		
	0 PLACES	±	INITIAL REVISION:		
	DRAFT WHERE APPLICABLE MUST REMAIN WITHIN DIMENSIONS		DRWN: JMENDOZA	2012/08/20	
	THIRD ANGLE PROJECTION		APPR: JMENDOZA	2012/08/21	
	DRAWING SERIES		C-SIZE	171573	
DOCUMENT STATUS	P1	RELEASE DATE	2022/05/13	03:05:08	<b>SD-171573-0001</b>
					DOCUMENT NUMBER: SD-171573-0001 DOC TYPE: PSD DOC PART: 001 REVISION: C1
					MATERIAL NUMBER: SEE TABLE CUSTOMER: GENERAL MARKET SHEET NUMBER: 1 OF 4



## MATED DIMENSIONS (POSITION 90° SHOWN)

### NOTES:

- MATERIALS: HOUSING - LIQUID CRYSTAL POLYMER (LCP)  
GLASS-FILLED, UL94V-0  
TERMINALS - HIGH PERFORMANCE COPPER ALLOY
- FINISH: 30μ MIN GOLD IN CONTACT AREA.  
SELECTIVE TIN ON PCB TAILS.  
NICKEL OVERALL.
- REFER TO MOLEX PRODUCT SPECIFICATION PS-76060-999 FOR PERFORMANCE SPECIFICATIONS AND ADDITIONAL PCB INFORMATION.
- THIS PART CONFORMS TO CLASS B REQUIREMENTS OF COSMETIC SPEC PS-45499-002.
- PACKAGE PER: PK-70873-8018.
- SEE SHEETS 3 FOR ORTHOGONAL PIN MAPPING.
- REFER TO MOLEX SALES DRAWINGS SD-76860-001 FOR THE MATING RECEPTACLES.
- REFER TO MOLEX ROUTING GUIDE AS-76850-990 FOR ADDITIONAL PCB LAYOUT AND ROUTING RECOMMENDATIONS.
- CONNECTORS ARE SUPPLIED WITH TWO 2-32 THREAD FORMING SCREWS.
- THESE DIMENSIONS REPRESENT THE AREA NEEDED TO ACCOMODATE CONNECTOR INSERTION AND REPAIR ON THE PC BOARD. THIS IS REFERRED TO AS THE "CONNECTOR KEEP OUT ZONE" AND DOES NOT REPRESENT THE ACTUAL PERIMETER OF THE CONNECTOR.
- MARKING: LOCATED APPROXIMATELY AS SHOWN, ON BOTTOM OR TOP HOUSING. PART NUMBER AND DATE CODE.

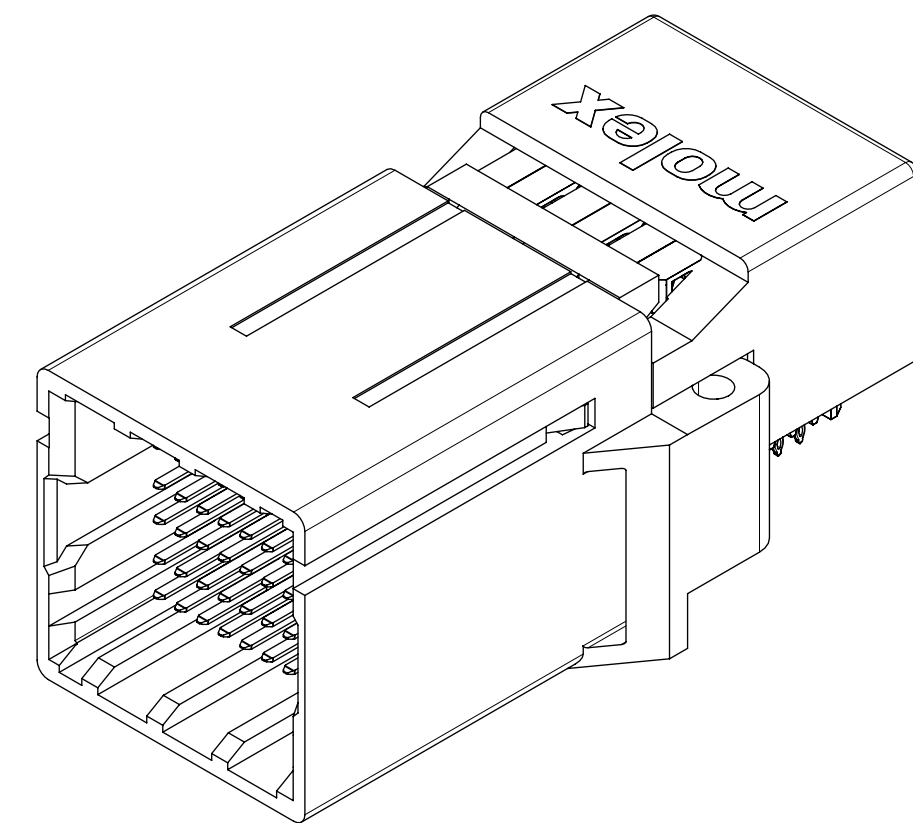
**171573-1 6 \* \***

MODULE TYPE  
1 = UNGUIDED, TIN

# OF COLUMNS  
6 = 6 COLUMN

PIN LENGTH (P)  
4 = 4.90 (0.46 PTH)  
5 = 5.50 (0.46 PTH)  
7 = 4.90 (0.39 PTH)  
8 = 5.50 (0.39 PTH)

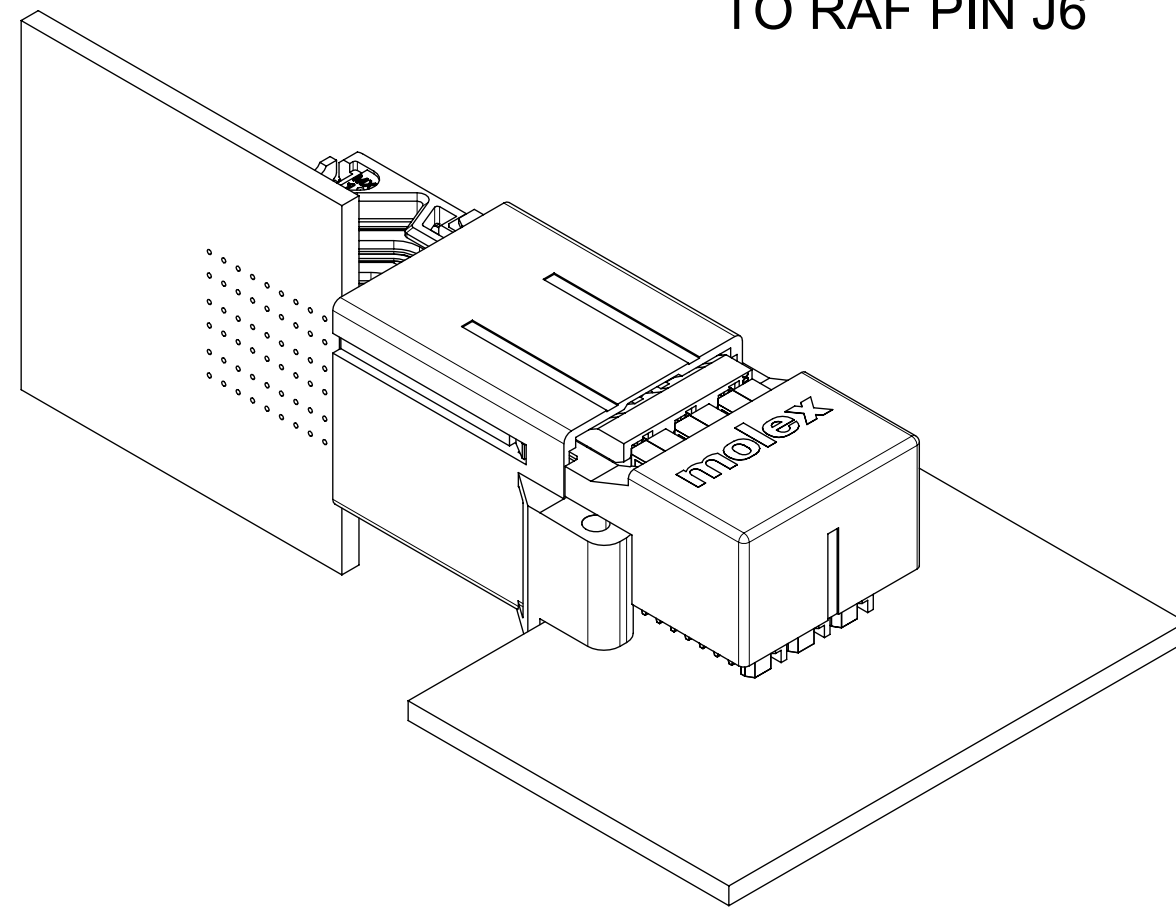
MATE POSITION  
1 = 90 DEGREE  
3 = 270 DEGREE



**UNGUIDED OD-RAM**

FUNCTIONAL SYMBOLS	THIS DRAWING CONTAINS INFORMATION THAT IS PROPRIETARY TO MOLEX ELECTRONIC TECHNOLOGIES, LLC AND SHOULD NOT BE USED WITHOUT WRITTEN PERMISSION		CURRENT REV DESC: MIGRATED TO NX				
	DIMENSION UNITS	SCALE					
$\nabla_A = 0$	mm	NTS			<b>IMPACT ORTHOGONAL DIRECT 3 PAIR RAM 90 &amp; 270 ASSY UNGUIDED SALES DRAWING</b>		
$\nabla_C = 0$	GENERAL TOLERANCES (UNLESS SPECIFIED)						
$\nabla_P = 0$	ANGULAR TOL ± 0.5°				<b>PRODUCT CUSTOMER DRAWING</b>		
DIVISIONAL SYMBOLS	4 PLACES	±					
	3 PLACES	±			DOCUMENT NUMBER: <b>SD-171573-0001</b> DOC TYPE: PSD DOC PART: 001 REVISION: C1		
	2 PLACES	± 0.13					
	1 PLACE	± 0.25			MATERIAL NUMBER: SEE TABLE CUSTOMER: GENERAL MARKET SHEET NUMBER: 2 OF 4		
	0 PLACES	±					
DRAFT WHERE APPLICABLE MUST REMAIN WITHIN DIMENSIONS		THIRD ANGLE PROJECTION	DRAWING	SERIES			
			C-SIZE	171573			


**ORTHO POSITION 90°**  
**OD-RAM PIN A1 MAPS**  
**TO RAF PIN J6**



ORTHO PIN MAPPING					
OPTION 90 (NEARSIDE - FAR SIDE)					
<b>A1-J6</b>	A2-H6	<b>A3-F6</b>	A4-E6	<b>A5-C6</b>	A6-B6
B1-J5	B2-G6	B3-F5	B4-D6	B5-C5	B6-A6
C1-H5	<b>C2-G5</b>	C3-E5	<b>C4-D5</b>	C5-B5	<b>C6-A5</b>
<b>D1-J4</b>	D2-H4	<b>D3-F4</b>	D4-E4	<b>D5-C4</b>	D6-B4
E1-J3	E2-G4	E3-F3	E4-D4	E5-C3	E6-A4
F1-H3	<b>F2-G3</b>	F3-E3	<b>F4-D3</b>	F5-B3	<b>F6-A3</b>
<b>G1-J2</b>	G2-H2	<b>G3-F2</b>	G4-E2	<b>G5-C2</b>	G6-B2
H1-J1	H2-G2	H3-F1	H4-D2	H5-C1	H6-A2
J1-H1	<b>J2-G1</b>	J3-E1	<b>J4-D1</b>	J5-B1	<b>J6-A1</b>

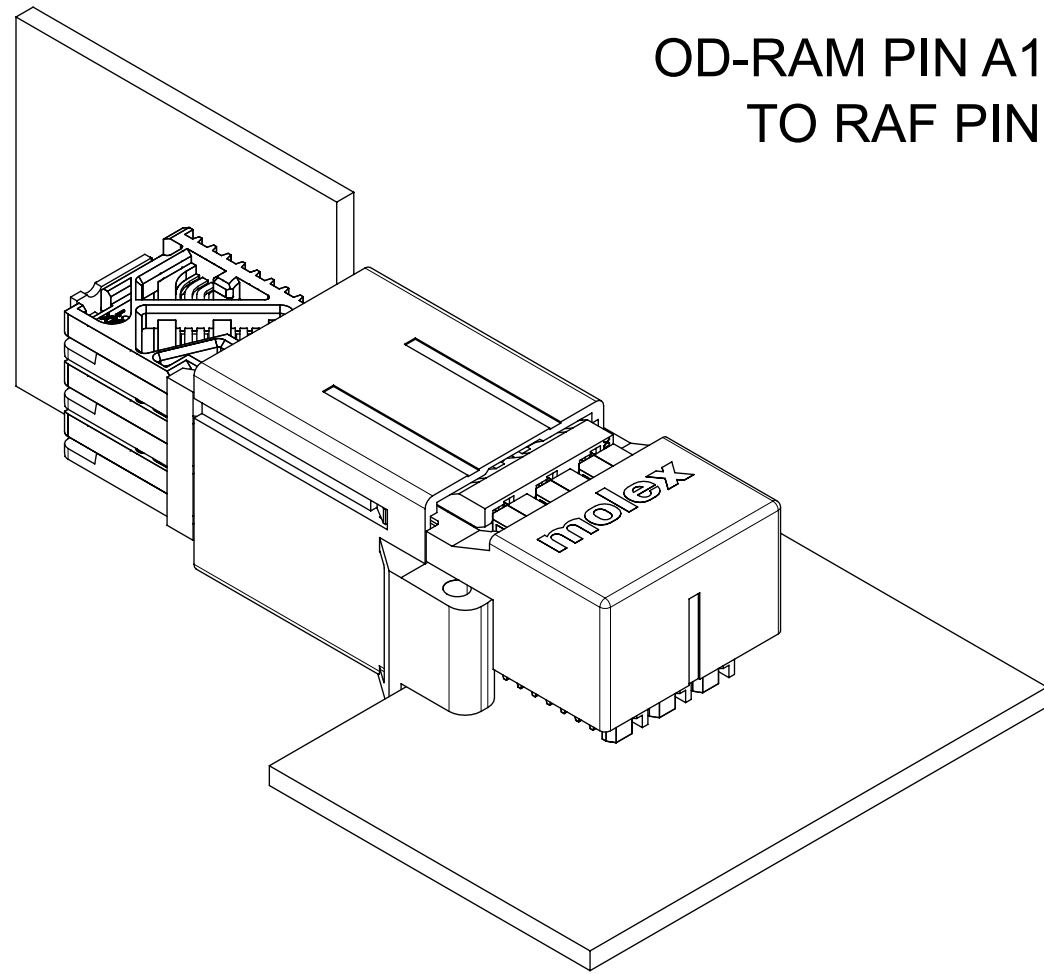
NOTE: PINOUTS SHOWN IN BALLOONS ARE GROUNDS.  
 GROUND PATHS ARE NOT DISCRETE CIRCUITS.

MATERIAL NUMBER	# OF COLUMNS	# OF DIFF PAIR	MATE POSITION	DIM P	PTH Ø
171573-1614	6	18	90	4.90	0.46±0.05
171573-1615	6	18	90	5.50	0.46±0.05
171573-1617	6	18	90	4.90	0.39±0.05
171573-1618	6	18	90	5.50	0.39±0.05

<b>FUNCTIONAL SYMBOLS</b> $\nabla_A = 0$ $\nabla_C = 0$ $\nabla_P = 0$ <b>DIVISIONAL SYMBOLS</b> 4 PLACES ± 3 PLACES ± 2 PLACES ± 0.13 1 PLACE ± 0.25 0 PLACES ± DRAFT WHERE APPLICABLE MUST REMAIN WITHIN DIMENSIONS	THIS DRAWING CONTAINS INFORMATION THAT IS PROPRIETARY TO MOLEX ELECTRONIC TECHNOLOGIES, LLC AND SHOULD NOT BE USED WITHOUT WRITTEN PERMISSION DIMENSION UNITS: <b>mm</b> SCALE: <b>NTS</b>		CURRENT REV DESC: MIGRATED TO NX		 IMPACT ORTHOGONAL DIRECT 3 PAIR RAM 90 & 270 ASSY UNGUIDED SALES DRAWING	
	GENERAL TOLERANCES (UNLESS SPECIFIED) ANGULAR TOL ± 0.5°		EC NO: 705090 DRWN: ABN 2018/08/29 CHK'D: DYARAS 2022/03/07 APPR: LZENG 2022/05/13			PRODUCT CUSTOMER DRAWING
	INITIAL REVISION: DRWN: JMENDOZA 2012/08/20 APPR: JMENDOZA 2012/08/21		DOCUMENT NUMBER: <b>SD-171573-0001</b> DOC TYPE: PSD DOC PART: 001 REVISION: C1			
	DRAFT WHERE APPLICABLE MUST REMAIN WITHIN DIMENSIONS		THIRD ANGLE PROJECTION	DRAWING: <b>C-SIZE</b> SERIES: <b>171573</b>		MATERIAL NUMBER: SEE TABLE CUSTOMER: GENERAL MARKET SHEET NUMBER: 3 OF 4

# ORTHO POSITION 270°

OD-RAM PIN A1 MAPS TO RAF PIN A1



ORTHO PIN MAPPING					
OPTION 270 (NEARSIDE - FAR SIDE)					
A1-A1	A2-B1	A3-D1	A4-E1	A5-G1	A6-H1
B1-A2	B2-C1	B3-D2	B4-F1	B5-G2	B6-J1
C1-B2	C2-C2	C3-E2	C4-F2	C5-H2	C6-J2
D1-A3	D2-B3	D3-D3	D4-E3	D5-G3	D6-H3
E1-A4	E2-C3	E3-D4	E4-F3	E5-G4	E6-J3
F1-B4	F2-C4	F3-E4	F4-F4	F5-H4	F6-J4
G1-A5	G2-B5	G3-D5	G4-E5	G5-G5	G6-H5
H1-A6	H2-C5	H3-D6	H4-F5	H5-G6	H6-J5
J1-B6	J2-C6	J3-E6	J4-F6	J5-H6	J6-J6

NOTE: PINOUTS SHOWN IN BALLOONS ARE GROUNDS.  
GROUND PATHS ARE NOT DISCRETE CIRCUITS.

MATERIAL NUMBER	# OF COLUMNS	# OF DIFF PAIR	MATE POSITION	DIM P	PTH Ø
171573-1634	6	18	270	4.90	0.46±0.05
171573-1635	6	18	270	5.50	0.46±0.05
171573-1637	6	18	270	4.90	0.39±0.05
171573-1638	6	18	270	5.50	0.39±0.05

<b>FUNCTIONAL SYMBOLS</b> FA = 0 EC = 0 EP = 0 <b>DIVISIONAL SYMBOLS</b> 4 PLACES ± 3 PLACES ± 2 PLACES ± 0.13 1 PLACE ± 0.25 0 PLACES ± DRAFT WHERE APPLICABLE MUST REMAIN WITHIN DIMENSIONS	THIS DRAWING CONTAINS INFORMATION THAT IS PROPRIETARY TO MOLEX ELECTRONIC TECHNOLOGIES, LLC AND SHOULD NOT BE USED WITHOUT WRITTEN PERMISSION DIMENSION UNITS: <b>mm</b> SCALE: <b>NTS</b>		CURRENT REV DESC: MIGRATED TO NX EC NO: 705090 DRWN: ABN 2018/08/29 CHK'D: DYARAS 2022/03/07 APPR: LZENG 2022/05/13		 IMPACT ORTHOGONAL DIRECT 3 PAIR RAM 90 & 270 ASSY UNGUIDED SALES DRAWING			
	GENERAL TOLERANCES (UNLESS SPECIFIED) ANGULAR TOL ± 0.5°		INITIAL REVISION: DRWN: JMENDOZA 2012/08/20 APPR: JMENDOZA 2012/08/21					PRODUCT CUSTOMER DRAWING
	DOCUMENT NUMBER: <b>SD-171573-0001</b>		DOC TYPE: <b>PSD</b>		DOC PART: <b>001</b>		REVISION: <b>C1</b>	
	DRAFT WHERE APPLICABLE MUST REMAIN WITHIN DIMENSIONS		THIRD ANGLE PROJECTION		DRAWING: <b>C-SIZE</b>	SERIES: <b>171573</b>	MATERIAL NUMBER: <b>SEE TABLE</b>	CUSTOMER: <b>GENERAL MARKET</b>