

Customer Information Sheet

DRAWING No.: M22-714XX42

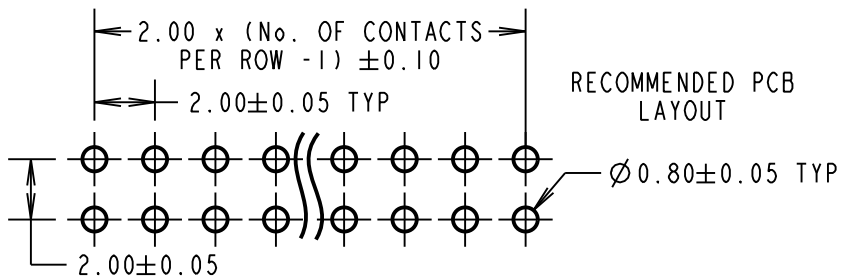
IF IN DOUBT - ASK

Ⓒ

NOT TO SCALE

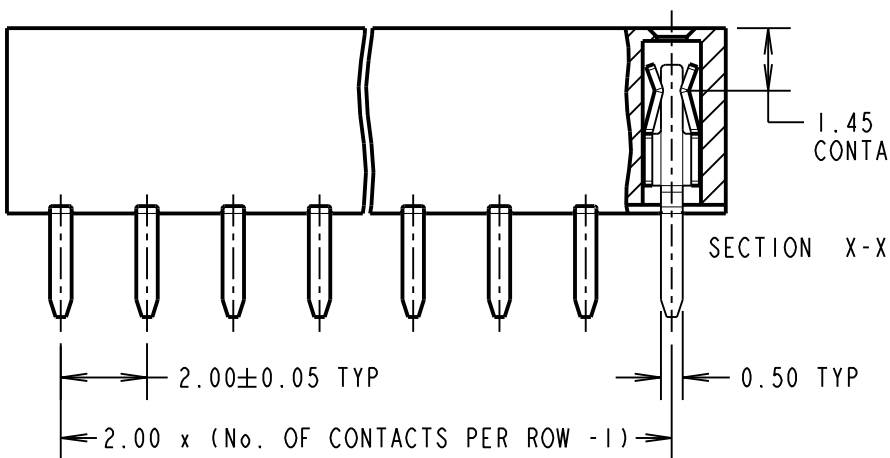
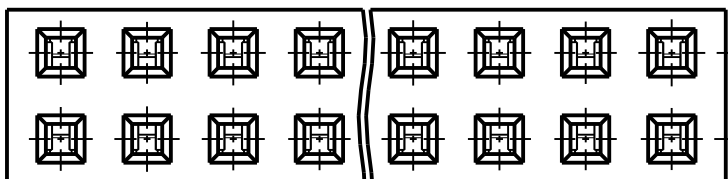
THIRD ANGLE PROJECTION

ALL DIMENSIONS IN mm



RECOMMENDED PCB LAYOUT

(2 x No. OF CONTACTS PER ROW) + 0.50 ± 0.30



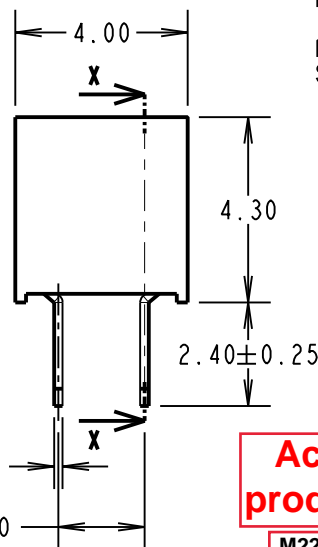
ORDER CODE:

M22-714XX42

No. OF CONTACTS PER ROW:
03 TO 25

FINISH:
42 = GOLD FLASH ON CONTACT,
100% TIN ON TAILS

OBSOLETE
All other size/finish combinations not listed below



Active products:

M22-7140342
M22-7140442
M22-7140542

SPECIFICATION:

MATERIAL:
MOULDING = LCP UL94V-0, BLACK
CONTACTS = PHOSPHOR BRONZE
FINISH: (OVER NICKEL)
42 = 0.76 - 1.27µ NICKEL ALL OVER,
GOLD ON CONTACT AREA,
2.54µ 100% TIN ON TAILS
MECHANICAL:
DURABILITY = 5000 CYCLES MAX
INSERTION FORCE = 2N MAX PER PIN
WITHDRAWAL FORCE = 0.2N MIN PER PIN
ELECTRICAL:
CURRENT RATING = 2A AC/DC
CONTACT RESISTANCE = 20mΩ MAX
INSULATION RESISTANCE = 5000MΩ MIN
DIELECTRIC WITHSTANDING = 500V AC FOR 1 MIN
ENVIRONMENTAL:
TEMPERATURE RANGE = -40° TO +105°
PACKING:
TUBE
FOR COMPLETE SPECIFICATION SEE COMPONENT SPECIFICATION C018XX (LATEST ISSUE)

NOTE:

1. ALL TOLERANCES ARE ±0.15, UNLESS OTHERWISE STATED.

M22-7140642
M22-7140742
M22-7140842
M22-7141042
M22-7141142
M22-7141242
M22-7141342
M22-7141442
M22-7141642
M22-7141742
M22-7141842
M22-7142042
M22-7142342
M22-7142542

MSP	10	26.10.16	13421
NAME	ISS.	DATE	C/NOTE
APPROVED:		M.PERREN	
CHECKED:		S.BENNETT	
DRAWN:		J. EVANS	
CUSTOMER REF.:			
ASSEMBLY DRG:			

HARWIN

www.harwin.com
technical@harwin.com

THIS DRAWING AND ANY INFORMATION OR DESCRIPTIVE MATTER SET OUT HEREON ARE CONFIDENTIAL AND COPYRIGHT PROPERTY OF THE HARWIN GROUP AND MUST NOT BE DISCLOSED, LOANED, COPIED OR USED FOR MANUFACTURING, TENDERING OR FOR ANY OTHER PURPOSE WITHOUT THEIR WRITTEN PERMISSION.

TOLERANCES

~~X = ±1mm
X.X = ±0.50mm
X.XX = ±0.10mm
X.XXX = ±0.01mm
ANGLES = ±5°
UNLESS STATED~~

MATERIAL:

SEE ABOVE

FINISH:

SEE ABOVE

S/AREA:

mm²

TITLE:

2.00mm PITCH DIL VERTICAL SOCKET ASSEMBLY

DRAWING NUMBER:

M22-714XX42

SHT
2 OF 2