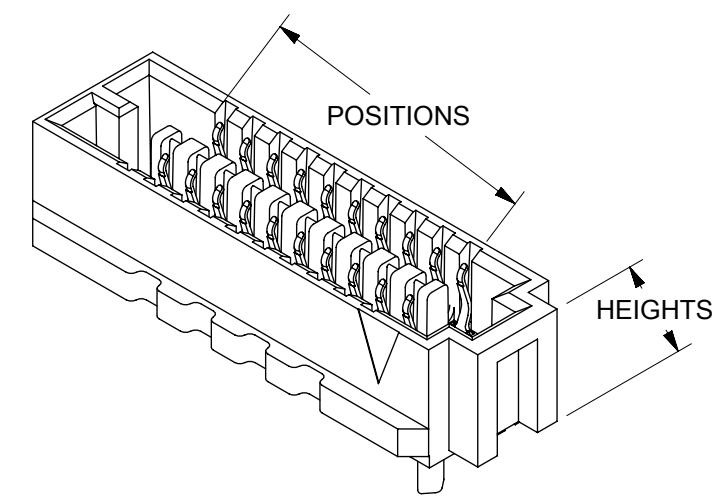


10 POSITION VERSION
SHOWN IN THESE VIEWS

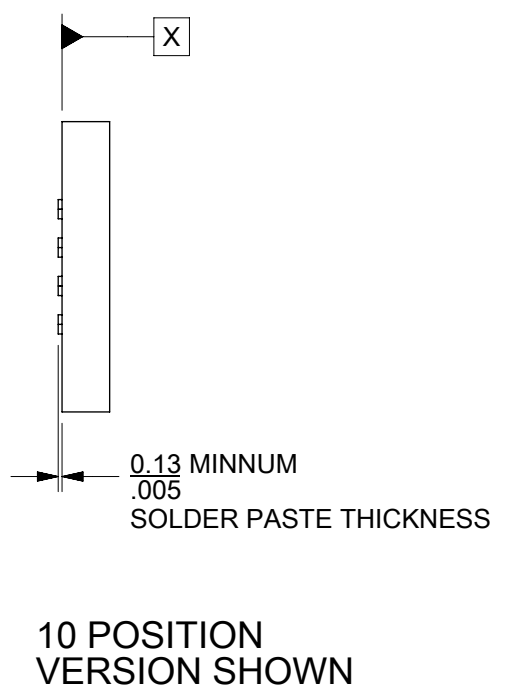
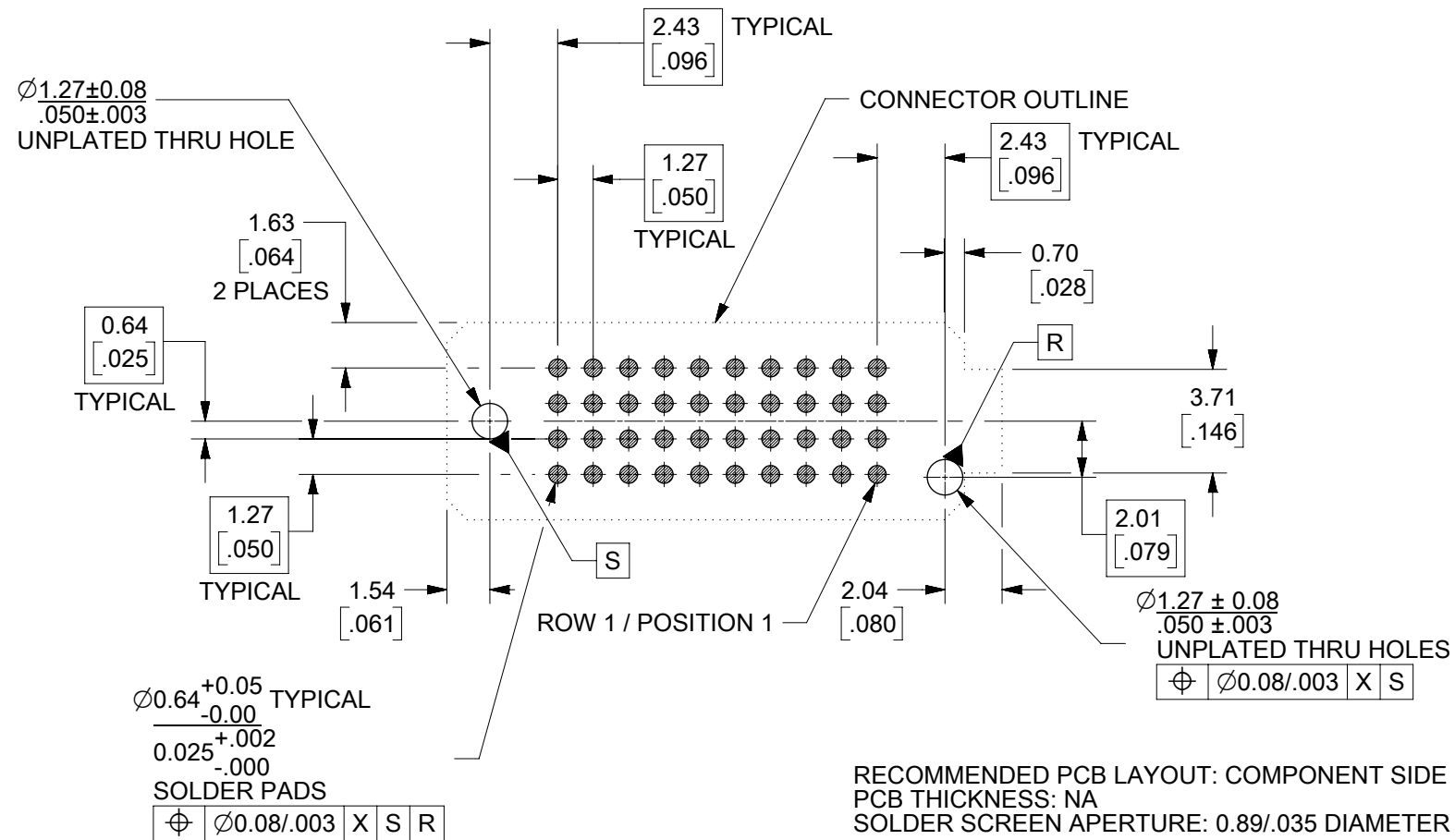
- NOTES:
- MATERIALS: HOUSING: GLASS FILLED LCP (LIQUID CRYSTAL POLYMER), UL94V-0, BLACK
CONTACTS: COPPER ALLOY
SOLDER CHARGE: 95.5% TIN, 3.8% SILVER, 0.7% COPPER
 - FINISHES: 30 MICRINCH MINIMUM GOLD IN THE CONTACT AREA,
50 MICRINCH MINIMUM TIN IN THE TAIL AREA,
OVERALL NICKEL UNDERPLATE
 - PRODUCT SPECIFICATION: PS-45970-001
 - PACKAGING SPECIFICATION: PK-45971-002 (TAPE AND REEL)
 - MATES WITH SEARAY SLIM PLUG ASSY SERIES 46556
 - APPLICATION SPECIFICATION: AS-45970-001
 - COSMETIC SPECIFICATION: PS-45499-002 CLASS B
 - PART STATUS: CONTACT MOLEX

POSITIONS	DIM M		TOTAL NUMBER OF EDGE NOTCHES
10	19.88/1.784	0.15/.006	8
15	26.23/1.034	0.15/.006	14
20	32.58/1.284	0.15/.006	18
25	38.93/1.534	0.15/.006	24
30	45.28/1.784	0.15/.006	28
35	51.63/2.034	0.15/.006	34
40	57.98/2.284	0.15/.006	38
45	64.33/2.534	0.23/.009	44
50	70.68/2.784	0.23/.009	48



THIS DRAWING CONTAINS INFORMATION THAT IS PROPRIETARY TO MOLEX ELECTRONIC TECHNOLOGIES, LLC AND SHOULD NOT BE USED WITHOUT WRITTEN PERMISSION

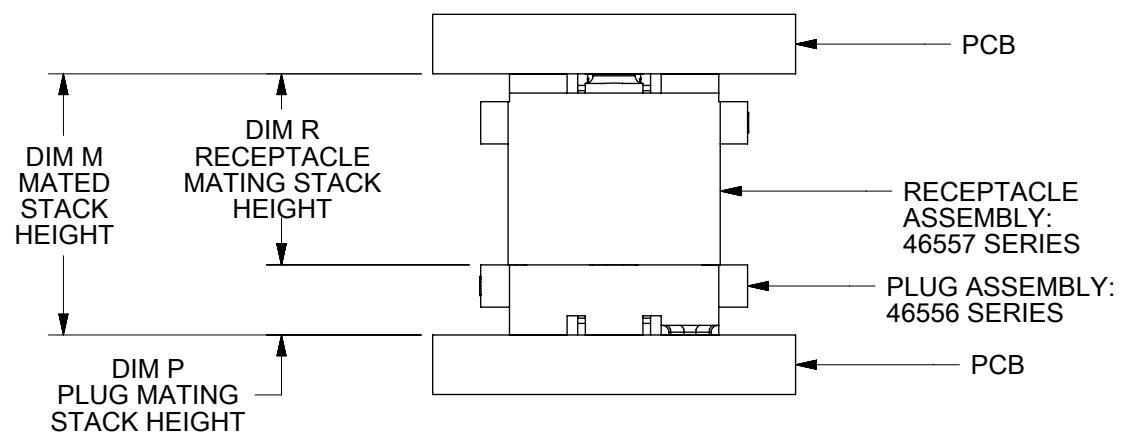
DIMENSION UNITS MM/IN	SCALE 4:1	CURRENT REV DESC:		molex		
GENERAL TOLERANCES (UNLESS SPECIFIED)		EC NO: 712067				
ANGULAR TOL ± °		DRWN: CLHOE01	2022/03/25	PRODUCT CUSTOMER DRAWING		
4 PLACES ±		CHK'D: HCGOH	2022/06/27	DOCUMENT NUMBER		
3 PLACES ±		APPR: SHONG	2022/07/14	SD-46557-001		
2 PLACES ± 0.25		INITIAL REVISION:		DOC TYPE	DOC PART	REVISION
1 PLACE ± 0.38		DRWN: TGREGORI	2007/05/21	PSD	001	R
0 PLACES ±		APPR: JCOMERCI	2010/03/05	SHEET NUMBER		
DRAFT WHERE APPLICABLE MUST REMAIN WITHIN DIMENSIONS	THIRD ANGLE PROJECTION	DRAWING	SERIES	MATERIAL NUMBER	CUSTOMER	
		B-SIZE	46557	SEE TABLE SHT 3	GENERAL MARKET	1 OF 3



10 POSITION
VERSION SHOWN

		DIM R RECEPTACLE STACK HEIGHT									
		5.0		6.0		6.5		7.5		8.0	
DIM P PLUG STACK HEIGHT	mm	DIM M FULLY MATED	DIM M MAX	DIM M FULLY MATED	DIM M MAX	DIM M FULLY MATED	DIM M MAX	DIM M FULLY MATED	DIM M MAX	DIM M FULLY MATED	DIM M MAX
	2.0	7.00	7.74	8.00	8.74	8.50	9.24	9.50	10.24	10.00	10.74
	2.5	7.50	8.24	8.50	9.24	9.00	9.74	10.00	10.74	10.50	11.24
	3.0	8.00	8.74	9.00	9.74	9.50	10.24	10.50	11.24	11.00	11.74
	3.5	8.50	9.24	9.50	10.24	10.00	10.74	11.00	11.74	11.50	12.24
	4.5	9.50	10.24	10.50	11.24	11.00	11.74	12.00	12.74	12.50	13.24
	5.0	10.00	10.74	11.00	11.74	11.50	12.24	12.50	13.24	13.00	13.74
7.0	12.00	12.74	13.00	13.74	13.50	14.24	14.50	15.24	15.00	15.74	

MATED STACK HEIGHTS
GIVEN IN MILLIMETERS (mm) FOR REFERENCE ONLY



STACK HEIGHTS
GIVEN IN MILLIMETERS (mm) FOR REFERENCE ONLY

THIS DRAWING CONTAINS INFORMATION THAT IS PROPRIETARY TO MOLEX ELECTRONIC TECHNOLOGIES, LLC AND SHOULD NOT BE USED WITHOUT WRITTEN PERMISSION

DIMENSION UNITS MM/IN	SCALE 4:1	CURRENT REV DESC:		molex		
GENERAL TOLERANCES (UNLESS SPECIFIED)		EC NO: 712067				
ANGULAR TOL ± °		DRWN: CLHOE01 2022/03/25		PRODUCT CUSTOMER DRAWING		
4 PLACES ±		CHK'D: HCGOH 2022/06/27		DOCUMENT NUMBER		
3 PLACES ±		APPR: SHONG 2022/07/14		SD-46557-001		
2 PLACES ± 0.25		INITIAL REVISION:		DOC TYPE DOC PART REVISION		
1 PLACE ± 0.38		DRWN: TGREGORI 2007/05/21		PSD 001 R		
0 PLACES ±		APPR: JCOMERCI 2010/03/05		MATERIAL NUMBER CUSTOMER SHEET NUMBER		
DRAFT WHERE APPLICABLE MUST REMAIN WITHIN DIMENSIONS	THIRD ANGLE PROJECTION	DRAWING	SERIES	SEE TABLE SHT 3 GENERAL MARKET 2 OF 3		

E

D

C

B

A

DIM R: (REF)	5.0 mm	6.0 mm	6.5 mm	7.5 mm	8.0 mm
DIM H:	5.05/.199	6.05/.238	6.55/.258	7.54/.297	8.05/.317
POSITIONS	MATERIAL NO	MATERIAL NO	MATERIAL NO	MATERIAL NO	MATERIAL NO
10	46557-1145	46557-1245	46557-1345	46557-1445	46557-1545
20	46557-2145	46557-2245	46557-2345	46557-2445	46557-2545
30	46557-3145	46557-3245	46557-3345	46557-3445	46557-3545
40	46557-4145	46557-4245	46557-4345	46557-4445	46557-4545
50	46557-5145	46557-5245	46557-5345	46557-5445	46557-5545
15	46557-6145	46557-6245	46557-6345	46557-6445	46557-6545
25	46557-7145	46557-7245	46557-7345	46557-7445	46557-7545
35	46557-8145	46557-8245	46557-8345	46557-8445	46557-8545
45	46557-9145	46557-9245	46557-9345	46557-9445	46557-9545

MATING STACK HEIGHTS (DIMENSION R)
GIVEN IN MILLIMETERS (mm) FOR REFERENCE ONLY

THIS DRAWING CONTAINS INFORMATION THAT IS PROPRIETARY TO MOLEX ELECTRONIC TECHNOLOGIES, LLC AND SHOULD NOT BE USED WITHOUT WRITTEN PERMISSION									
DIMENSION UNITS		SCALE		CURRENT REV DESC:				molex	
MM/IN		1:1		EC NO: 712067					
GENERAL TOLERANCES (UNLESS SPECIFIED)				DRWN: CLHOE01		2022/03/25		SEARAY SLIM (4 ROW)	
ANGULAR TOL ± °				CHK'D: HCGOH		2022/06/27		RECEPTACLE ASSEMBLY 1.27/.050 PITCH	
4 PLACES ±				APPR: SHONG		2022/07/14		PRODUCT CUSTOMER DRAWING	
3 PLACES ±				INITIAL REVISION:				DOCUMENT NUMBER	
2 PLACES ± 0.25				DRWN: TGREGORI		2007/05/21		SD-46557-001	
1 PLACE ± 0.38				APPR: JCOMERCI		2010/03/05		DOC TYPE DOC PART REVISION	
0 PLACES ±				THIRD ANGLE PROJECTION		DRAWING		PSD 001 R	
DRAFT WHERE APPLICABLE MUST REMAIN WITHIN DIMENSIONS				B-SIZE		SERIES		MATERIAL NUMBER CUSTOMER SHEET NUMBER	
				3		46557		SEE TABLE SHT 3 GENERAL MARKET 3 OF 3	