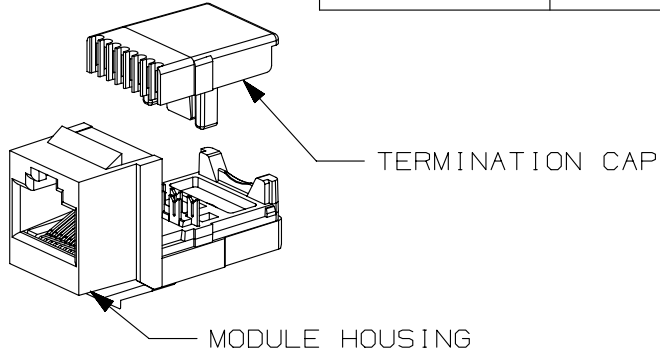


THIS COPY IS PROVIDED ON A RESTRICTED BASIS AND IS NOT TO BE USED IN ANY WAY DETRIMENTAL TO THE INTERESTS OF PANDUIT CORP.

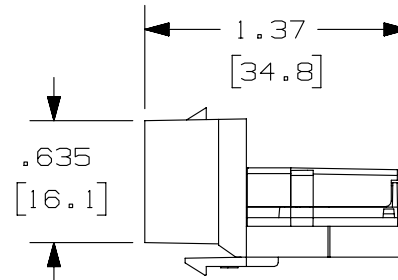
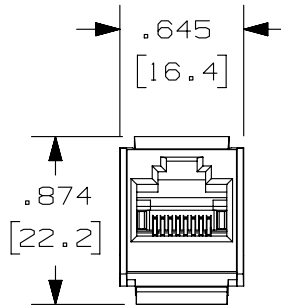
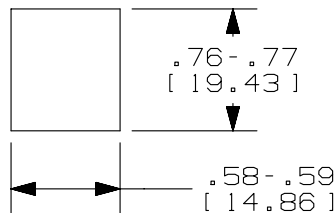
PANDUIT PART NO.	DESCRIPTION	WEIGHT
NK588M**Y	8 POSITION, 8 WIRE CATEGORY 5 UNIVERSAL (A/B) MODULAR JACK. TERMINATION CAP IS COLOR CODED FOR T568 WIRING SCHEMES.	.66 LB/50 PCS [300 g/50 PCS]
NK5E88M**Y	8 POSITION, 8 WIRE CATEGORY 5E UNIVERSAL (A/B) MODULAR JACK. TERMINATION CAP IS COLOR CODED FOR T568 WIRING SCHEMES.	



NOTES:

- SEE CURRENT NETKEY CATALOG FOR ADDITIONAL PART NUMBER SUFFIXES TO INDICATE COLOR AND OR PACKAGE QUANTITY.
- MATERIAL:
MODULE HOUSING: ABS
NOMINAL WALL THICKNESS: .078(2.0)
TERMINATION CAP: POLYCARBONATE.
- ALL 8 POSITION, 8 WIRE CONNECTOR MODULES WILL ACCEPT THREE OR FOUR PAIR MODULAR PLUGS WITHOUT DAMAGE.
- DIMENSIONS IN BRACKETS ARE IN METRIC.

PANEL OPENING REQUIREMENTS
PANEL THICKNESS: (.048" - .058")



ACTUAL SIZE

PART NUMBER NK5*****Y	
TITLE NETKEY TWISTED PAIR CONNECTOR MODULE	
CUSTOMER DRAWING	
ITEM REVISION NAME M02479NK/01	PANDUIT
DATASET FILE NAME M02479NK_DC350/00B	
UNLESS OTHERWISE SPECIFIED, DIMENSIONAL TOLERANCES ARE: IN [mm]	
.x ± .xx ± .03 [.8]	.xxx ± .010 [.3] ANGLES ±
THIRD ANGLE PROJECTION	
DRAWING NUMBER: 02479-350	
DRAWN BY WJC	DATE 3-25-06
CHK RMD	SCALE FULL
SHT 1 OF 1	
SIZE A	

REV	DATE	BY	CHK	APR	DESCRIPTION	ECN
1	5-12-14	MDJR	REFR	JCK	A. UPDATED TITLE BLOCK.	02479-350
R	3-25-06	NER	WJC	RMD	RELEASED TO PRODUCTION	02479-350

D10100DA/14