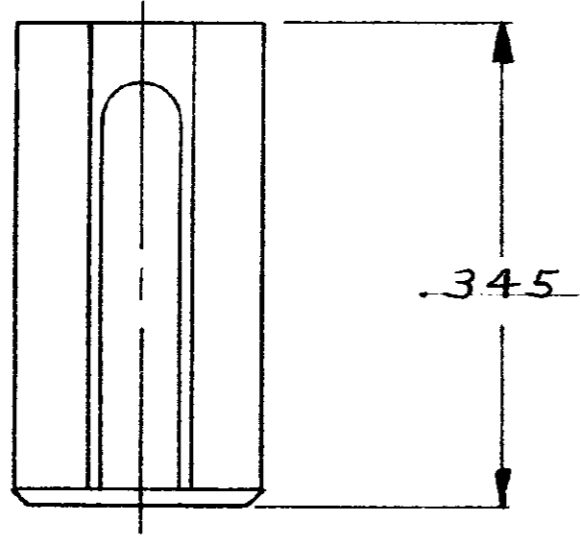
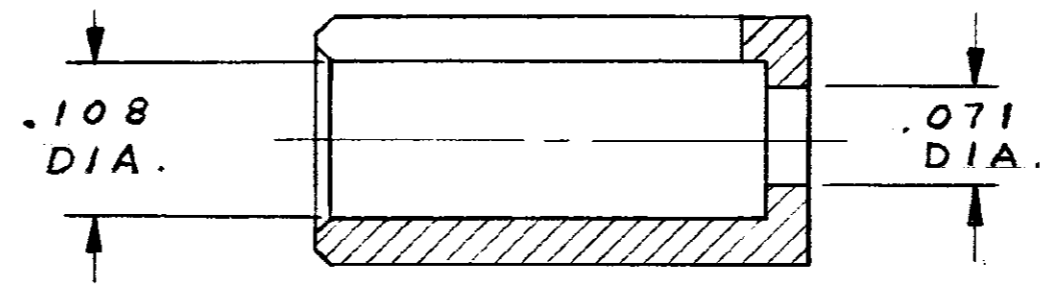
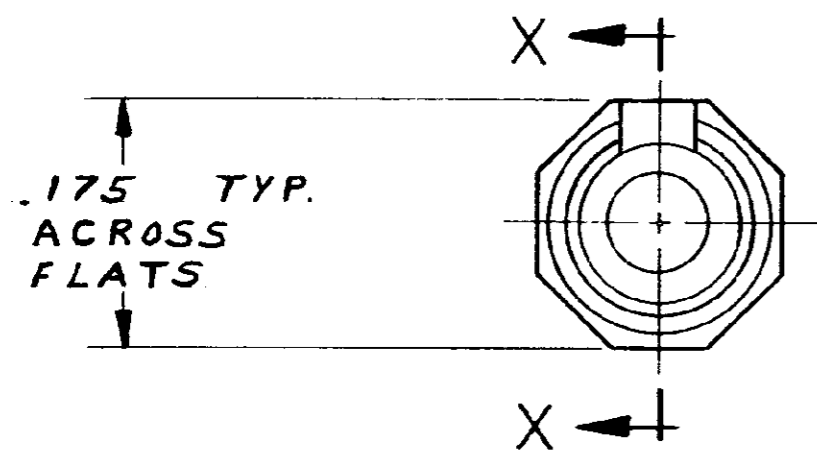


REVISIONS						
P	F	ZONE	LTR	DESCRIPTION	DATE	APPROVED
			P	REVISED PER ECO-11-005294	12APR11	HMR




531714-1 1, AS SHOWN



SECTION X-X

1. TO BE USED WITH PIN 531713-1

UNLESS OTHERWISE SPECIFIED DIMENSIONS ARE IN INCHES. TOLERANCES ON: DECIMALS ±.005 ANGLES ±		CONTRACT NO	PART NO	
MATERIAL STAINLESS STEEL	FINISH PASSIVATED	DR <i>M. Smith</i> 5-29-80	 TE Connectivity	
		CHK <i>W. Hatcher</i> 7/29/80	NAME COMBINATION GUIDE, KEYING INSERT	
		APPD <i>E. Parsons</i> 5/20/80	SIZE B	CODE IDENT NO 00779
		DSGN APPD	DRAWING NO 531714	
		OTHER APPD	SCALE 8-1	SHEET

CUSTOMER DRAWING