

ECN/PCN No.:

For Manufacturer			
Product Description: Surface Mount WLAN Antenna	Abracon Part Number / Part Series: AMCA72-2R860G-02F		<input checked="" type="checkbox"/> Series <input type="checkbox"/> Part Number
Affected Revision: Rev A	New Revision:	Application:	<input type="checkbox"/> Safety <input type="checkbox"/> Non-Safety
Prior to Change:			
After Change:			
Cause/Reason for Change: FACTORY EOL			
Change Plan			
Effective Date: Immediately	Additional Remarks:		
Change Declaration:			
Issued Date: 7/7/2020	Issued By: <i>JUSTIN FAHEY</i>	Issued Department: MARKETING - PLM	
Approval: <i>Syed Raza</i> Engineering VP	Approval: <i>Reuben Quintanilla</i> Quality Director	Approval: <i>Ying Huang</i> Purchasing Director	
For Abracon EOL only			
Last Time Buy (if applicable): N/A		Alternate Part Number / Part Series: N/A	
Additional Approval:	Additional Approval:	Additional Approval:	
Customer Approval (If Applicable)			
Qualification Status:			
<input type="checkbox"/> Approved <input type="checkbox"/> Not accepted			
<i>Note: It is considered approved if there is no feedback from the customer 1 month after ECN/PCN is released.</i>			
Customer Part Number:		Customer Project:	
Company Name:	Company Representative:	Representative Signature:	
Customer Remarks:			

Surface Mount WiMAX Antenna (2860MHz)

AMCA72-2R860G-02F-T



RoHS / RoHS II Compliant



7.0x 2.0 x 1.0mm

Moisture Sensitivity Level (MSL) – MSL = 1

FEATURES:

- 2860MHz, Bandwidth ≥ 200 MHz
- Suitable for RoHS compliant reflow
- Gain 2.6dBi (Peak) / 0.7dBi (Average)
- VSWR $< 2:1$
- Small size – 7.0 x 2.0 x 1.0mm (0.275 x 0.078 x 0.039inch)
- Non Ground Mounting type.
- Power Handling 3W Max
- Matched to 50 Ohm

APPLICATIONS:

- Wireless application - WiMax bands.
- User Equipments (UE), e.g. dongles, modems
- User Equipments applications covering 2860MHz WiMax bands.
- Alternative to larger PCB solution

STANDARD SPECIFICATIONS

Maximum Ratings

Item	Value
Operating Temperature Range	-40°C to + 85°C
Storage Temperature Range	-10°C ~ +40 and RH °C 70% (Max.)

Electrical Characteristics

Item	Spec
Frequency	2860MHz
Bandwidth	≥ 200 MHz
Peak Gain	2.7 dBi typ.
Average Gain	1.0 dBi typ
VSWR	$< 2:1$
Impedance	50 Ohm
Power Capability	3W max

PART IDENTIFICATION:

AMCA72-2R860G-02F-T4

Packaging

Blank: Bulk or Cut Tape

T4 : T/R 4000pcs per reel

Surface Mount WLAN Antenna (2860MHz)

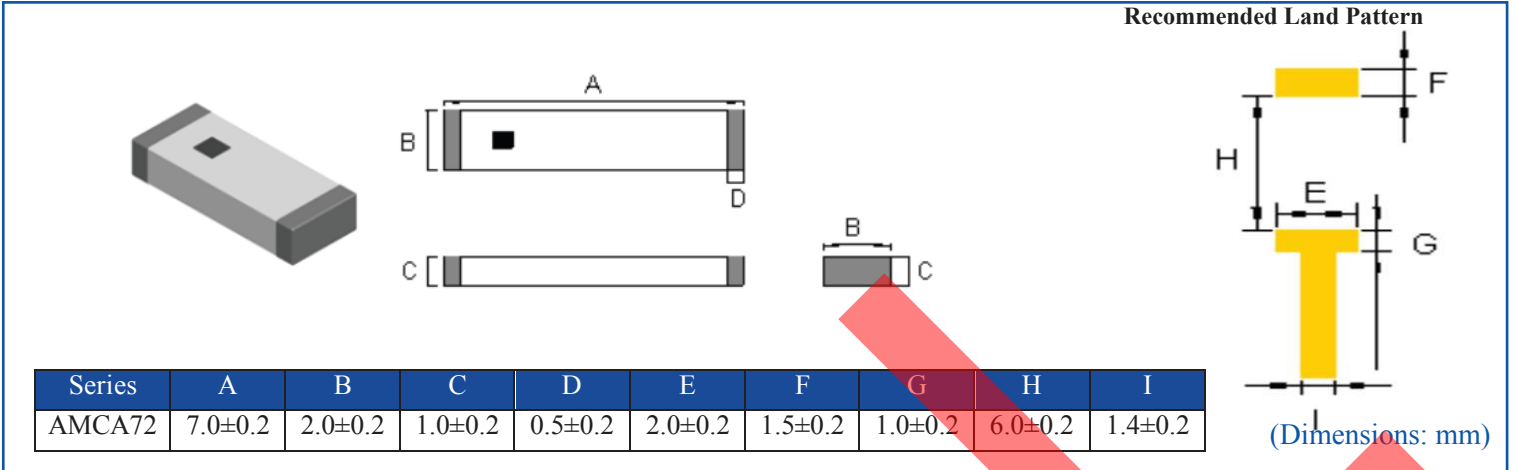
AMCA72-2R860G-02F-T

 RoHS / RoHS II Compliant

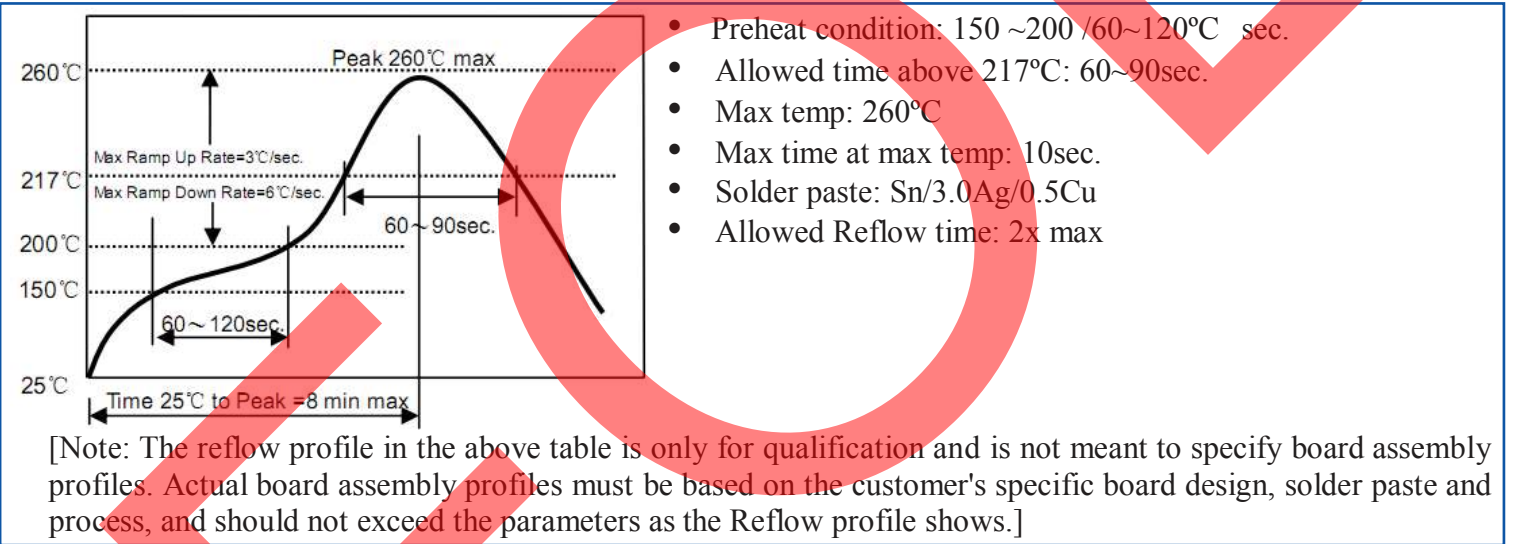


7.0x 2.0 x 1.0mm

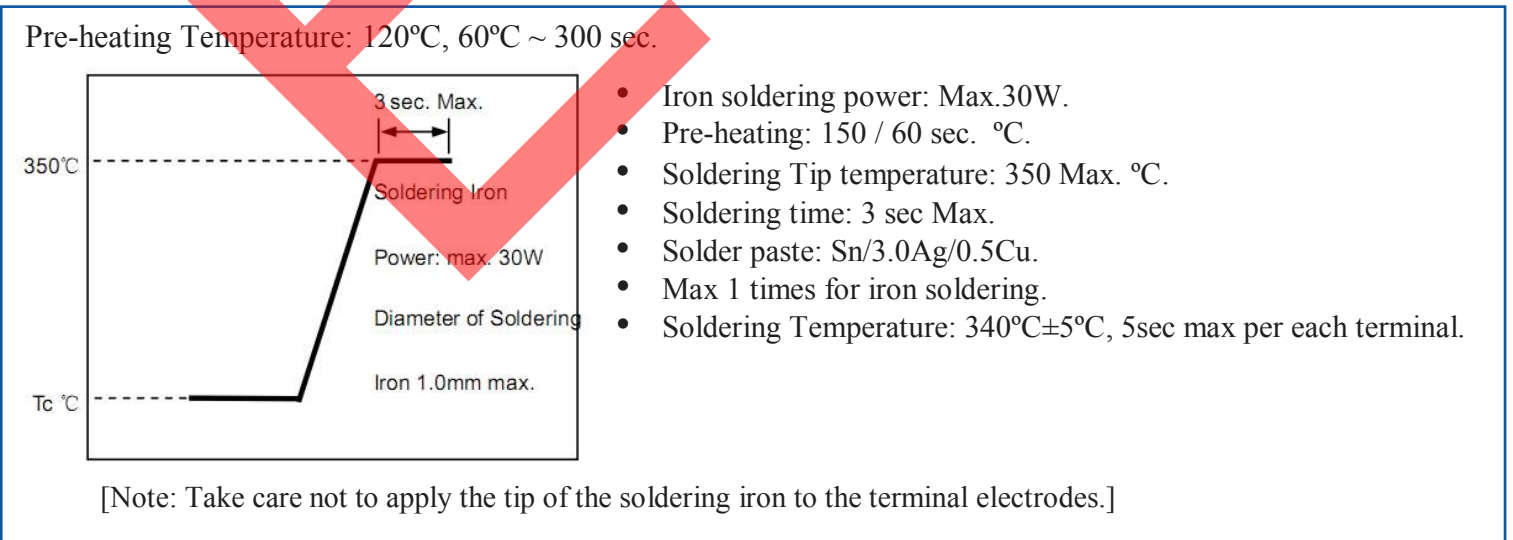
OUTLINE DIMENSIONS:



REFLOW PROFILE:



MANUAL SOLDERING



Surface Mount WLAN Antenna (2860MHz)

AMCA72-2R860G-02F-T

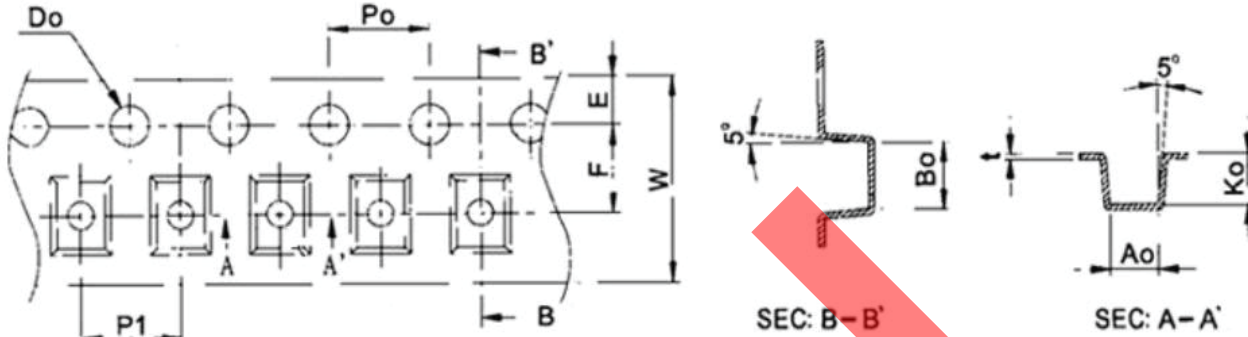
 RoHS / RoHS II Compliant



7.0x 2.0 x 1.0mm

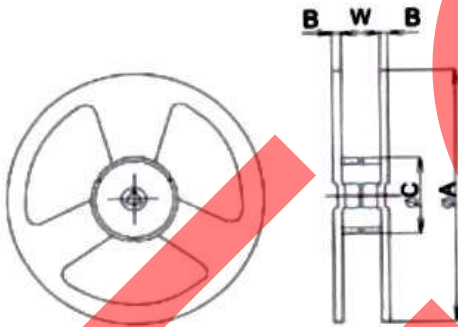
TAPE & REEL:

Packaging: 4000 Units per reel



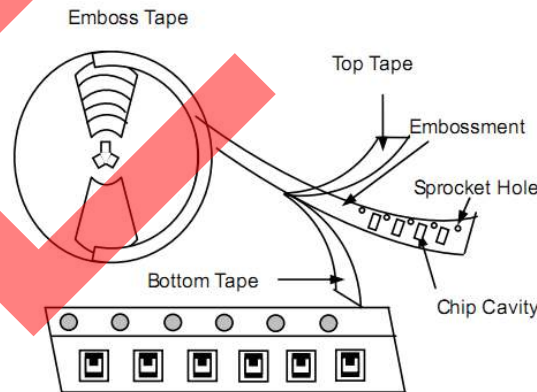
W	16.0±0.10	D0	1.50 +0.10 / - 0.0
P1	8.0±0.10	P0	4.0±0.10
E	1.75±0.10	K0	1.40±0.10
F	7.50±0.15	A0	2.30±0.10
B0	7.50±0.10	t	0.3±0.05

Reel Dimensions



Type	Spec	Dimensions (mm)			
		A	W	C	B
AMCA72	13"*16mm	330±1	16,5±0,2	100±0,5	2,3±0,2

Mounting Direction of Tape on Reel



Note: The sprocket holes are to the right as the tape is pulled toward the user.

(Dimensions: mm)

ATTENTION: Abracon Corporation's products are COTS – Commercial-Off-The-Shelf products; suitable for Commercial, Industrial and, where designated, Automotive Applications. Abracon's products are not specifically designed for Military, Aviation, Aerospace, Life-dependant Medical applications or any application requiring high reliability where component failure could result in loss of life and/or property. For applications requiring high reliability and/or presenting an extreme operating environment, written consent and authorization from Abracon Corporation is required. Please contact Abracon Corporation for more information.