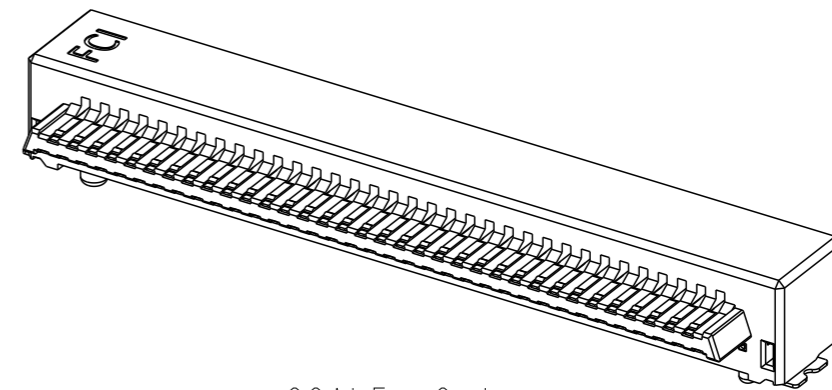
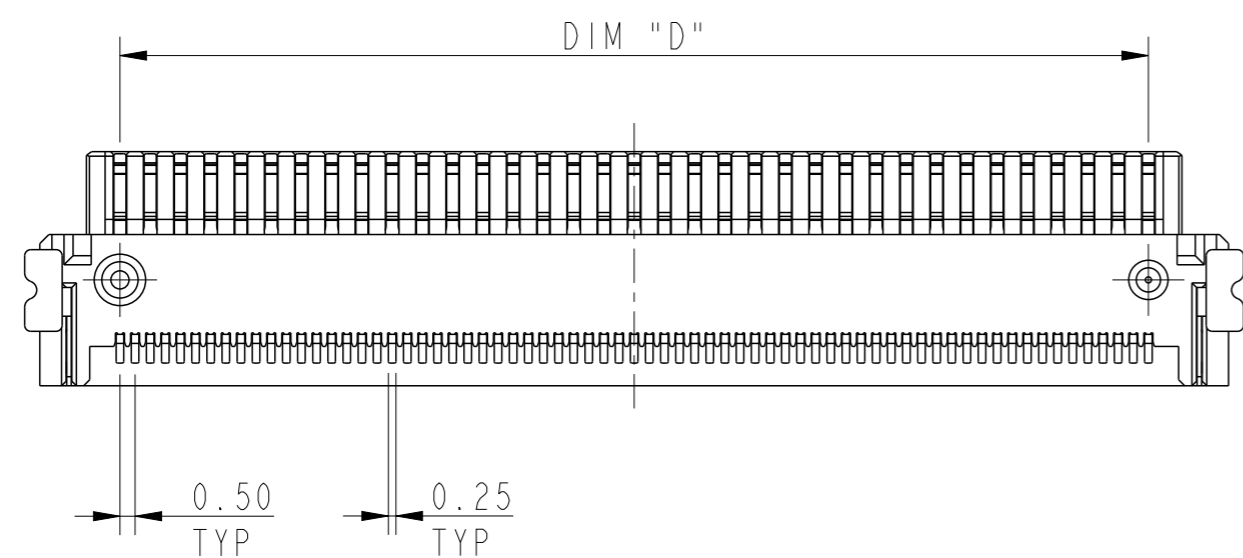
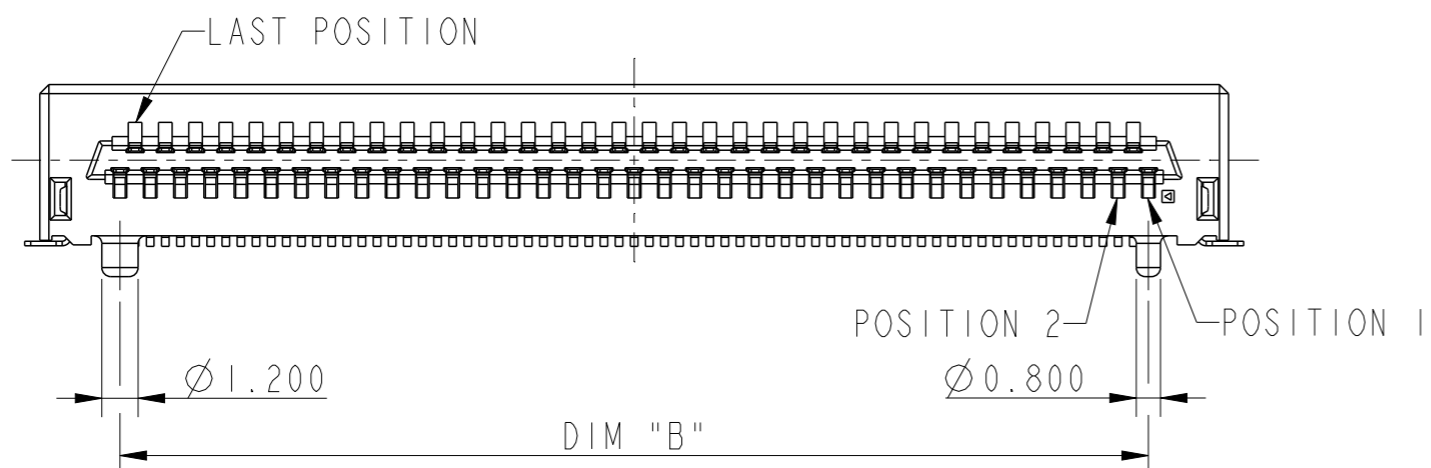
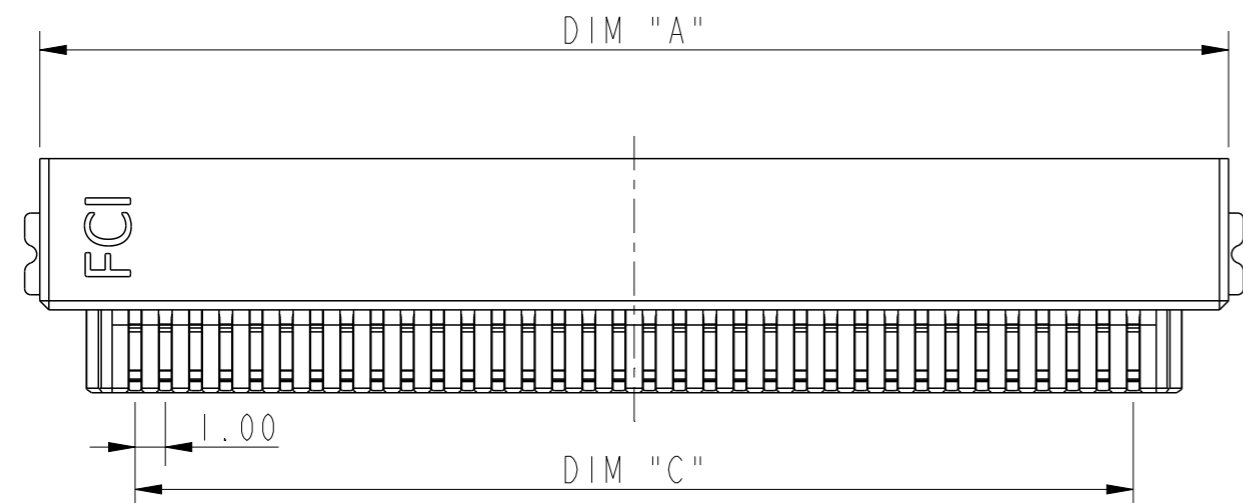
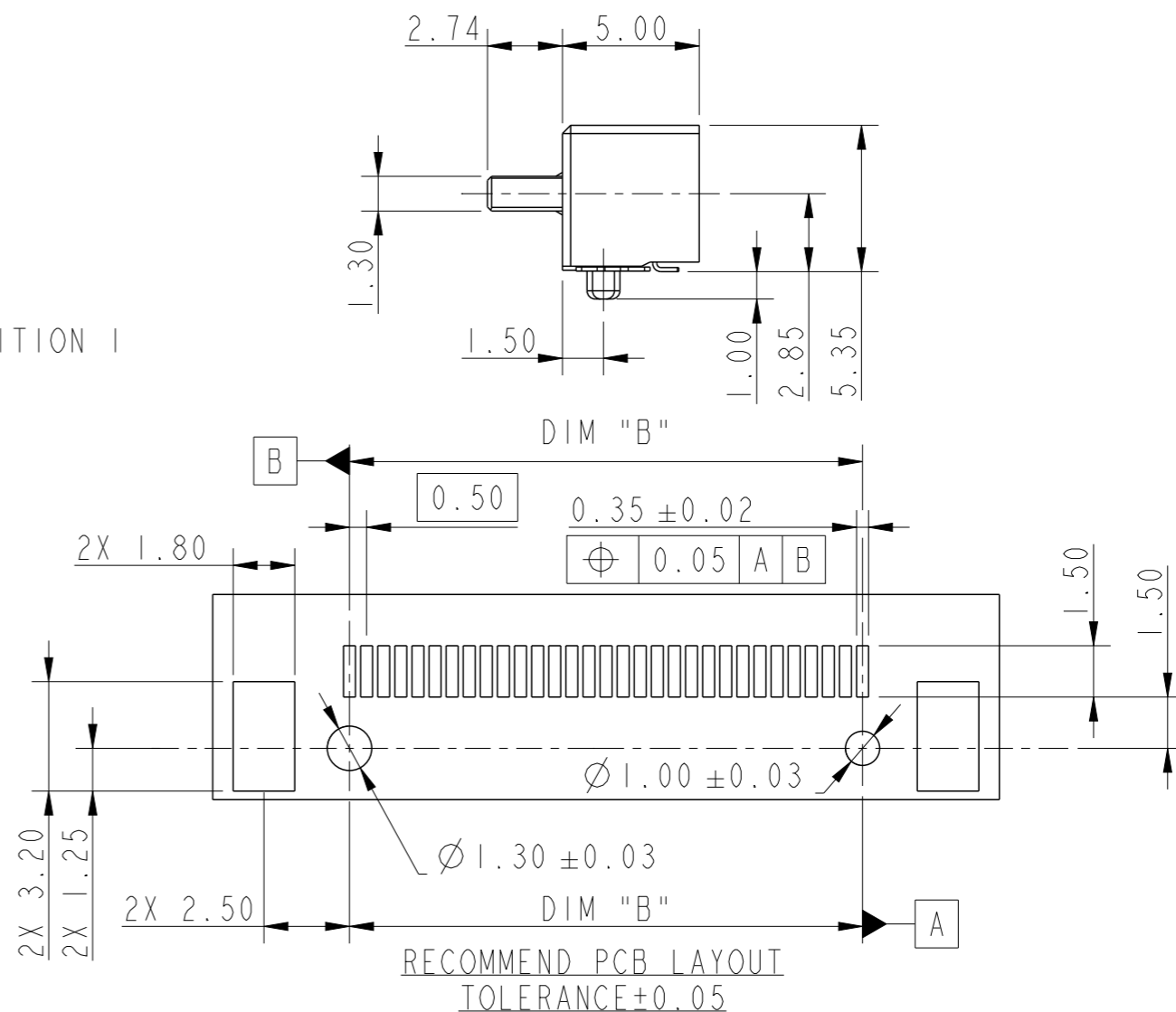


PART NUMBER

10162583-X111XXLF



SCALE 3:1



Amphenol FCI

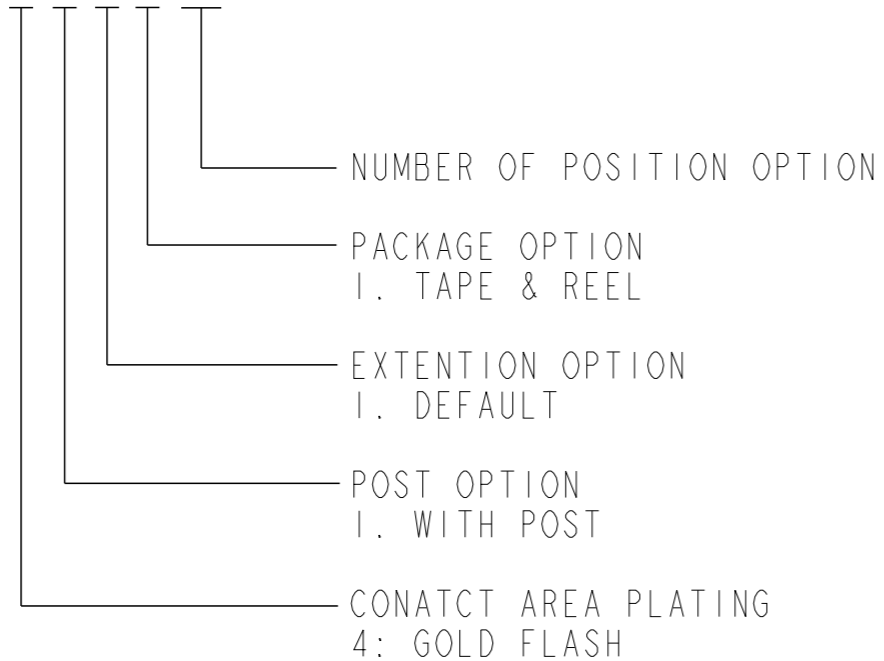
© 2020 Amphenol Corporation

| | | | | | | | | | | | | | |
|---------------|---------------------------------------|------|---------------|------|---------|------------|------------------------|------------------------|----------------|---------------|-----------|----------|---|
| spec ref | | | | dr | Bob Gu | 2021/04/19 | projection | mm | size | A3 | scale | 4:1 | |
| tolerance std | TOLERANCES UNLESS OTHERWISE SPECIFIED | | | eng | Bob Gu | 2021/11/17 | | ← → | ecn no | ELX-N-42902-1 | | | |
| surface | linear | 0.X | ± 0.30 | chr | - | - | | | product family | - | rel level | Released | |
| | | 0.XX | ± 0.20 | appr | Tim Yao | 2021/11/22 | RIGHT ANGLE CONAN PLUG | | dwg no | 10162583 | | rev | B |
| | angular | 0° | $\pm 2^\circ$ | | | cat. no. | - | Product - Customer Drw | sheet 1 of 2 | | | | |

| PART NUMBER | PIN QTY. | DIM "A" | DIM "B" | DIM "C" | DIM "D" |
|-------------------|----------|---------|---------|---------|---------|
| 10162583-41111ILF | 11 | 10.30 | 5.00 | 4.00 | 5.00 |
| 10162583-41112ILF | 21 | 15.30 | 10.00 | 9.00 | 10.00 |
| 10162583-41113ILF | 31 | 20.30 | 15.00 | 14.00 | 15.00 |
| 10162583-41114ILF | 41 | 25.30 | 20.00 | 19.00 | 20.00 |
| 10162583-41115ILF | 51 | 30.30 | 25.00 | 24.00 | 25.00 |
| 10162583-411169LF | 69 | 39.30 | 34.00 | 33.00 | 34.00 |

PRODUCT NUMBER DESCRIPTION:

10162583- X X X X XX LF



NOTES:

- MATERIALS:
 - HOUSING - LCP, UL-94V-0. COLOR: NATURAL.
 - TERMINALS - COPPER ALLOY, PLATED GOLD IN CONTACT AREA AND 100u" Sn ON SOLDER LEGS WITH AN OVERALL 50u" Ni UNDERPLATE.
 - RETENTION DEVICE - BRASS, PLATED WITH 100u" Sn OVER NICKEL.
- REFERENCE GS-12-1382 FOR PRODUCT PERFORMANCE DATA.
- RECOMMENDED SOLDER PASTE THICKNESS IS 0.15 TO 0.20 MM THICK.
- THE CO-PLANARITY GRAVITY PLANE. THIS MEASUREMENT IS NOT TO EXCEED 0.1MM.
- THE HOUSING WILL WITHSTAND EXPOSURE TO 260°C PEAK TEMPERATURE FOR 30 SECONDS IN A CONVECTION INFRA RED OR VAPOR PHASE REFLOW OVEN. SEE APPLICATION/PROCEDURES IF THEY ARE AVAILABLE
- PRODUCT WITH "LF" AT THE END MEETS EUROPEAN UNION DIRECTIVES AND OTHER COUNTRY REGULATION AS DESCRIBED IN GS-47-0004.

| | | | | | | | | | |
|---------------------------------------|--------|--------|------------|---------------------|------------------------|----------------|---------------|-----------|----------|
| spec ref | dr | Bob Gu | 2021/04/19 | projection | mm | size | A3 | scale | 2:1 |
| tolerance std | eng | Bob Gu | 2021/11/17 | | ← → | ecn no | ELX-N-42902-1 | | |
| TOLERANCES UNLESS OTHERWISE SPECIFIED | | | | | | product family | - | rel level | Released |
| surface | linear | 0.X | ±0.30 | Amphenol FCI | RIGHT ANGLE CONAN PLUG | dwg no | 10162583 | rev | B |
| | | 0.XX | ±0.20 | | | | | | |
| | | 0.XXX | ±0.10 | | | | | | |
| angular | 0° | ±2° | cat. no. | - | Product - Customer Drw | sheet 2 of 2 | | | |