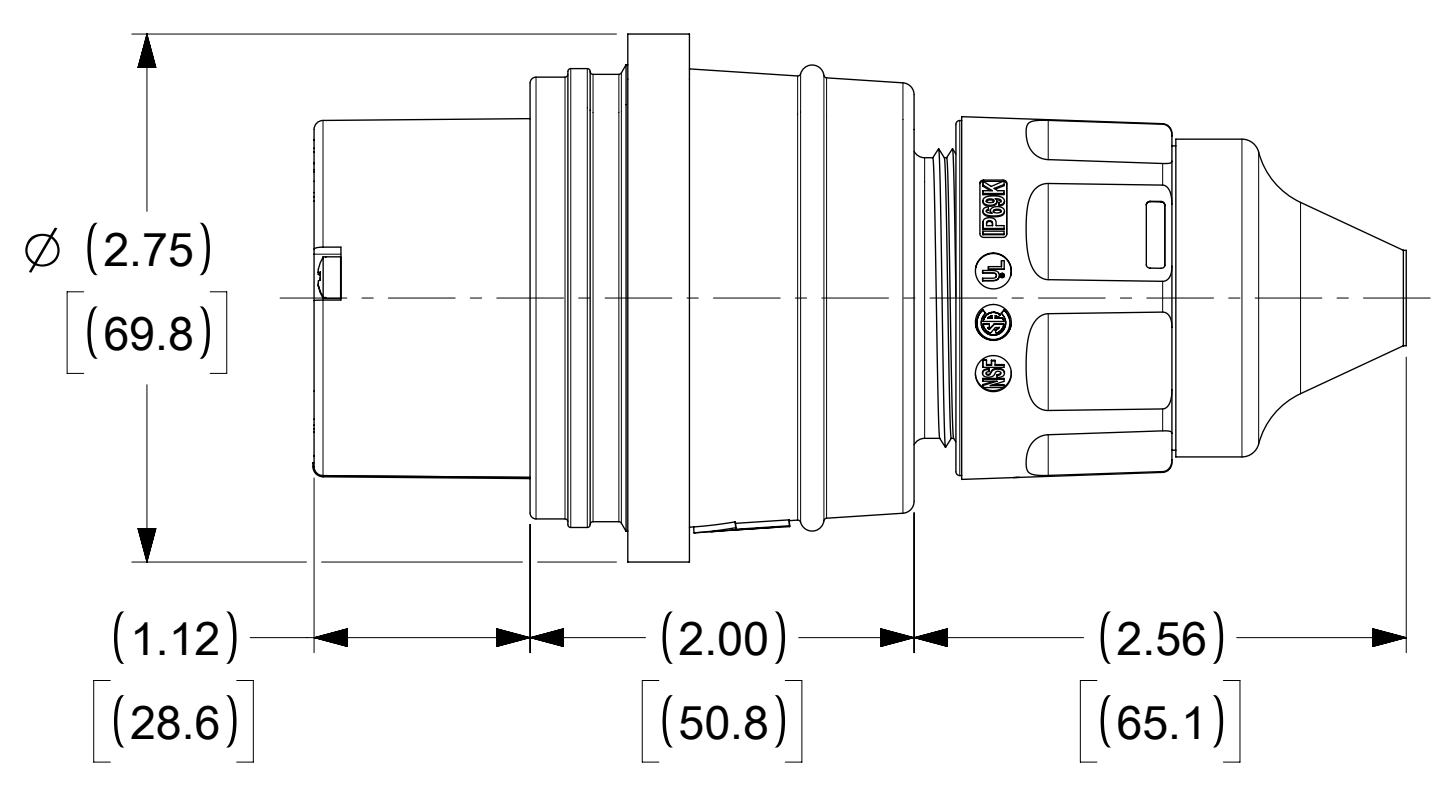
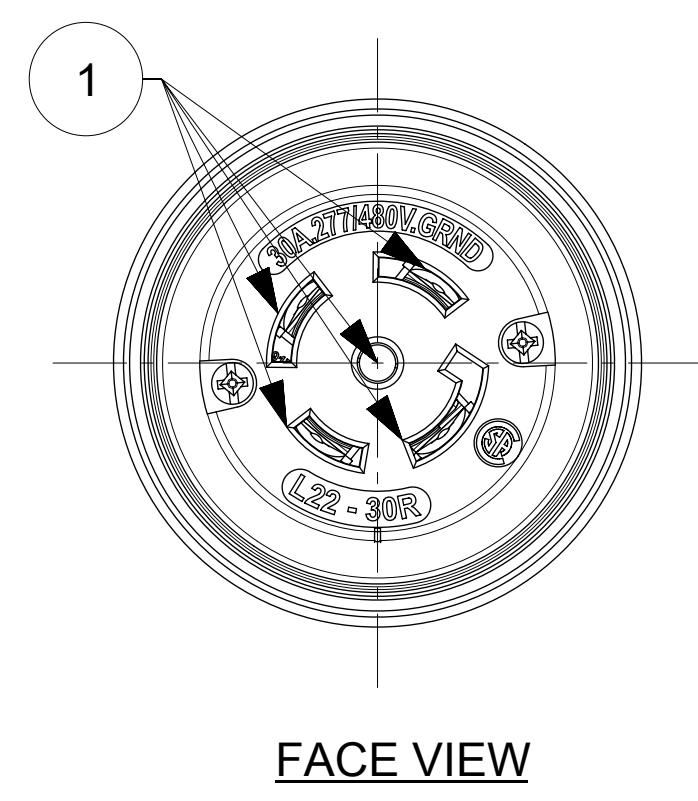
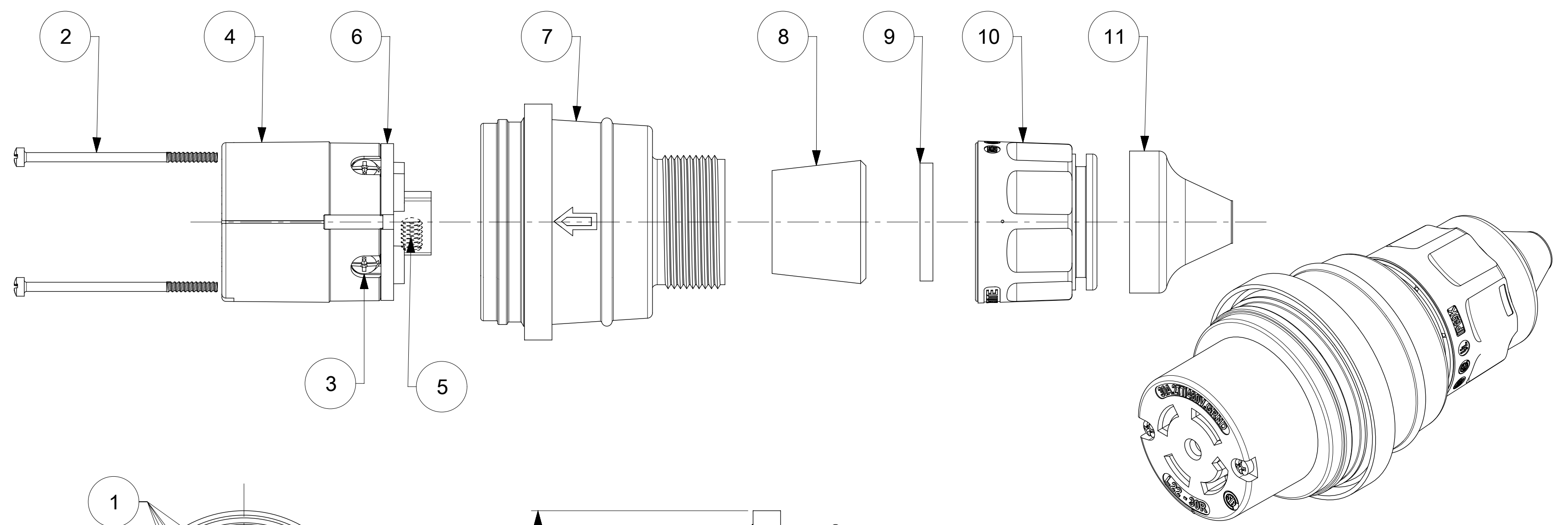


ORDER NO.	WOODHEAD NO.	COLOR
130147-0119	29W82MB	YELLOW



ITEM NO.	DESCRIPTIONS	MATERIAL	QTY.
1	BLADE	BRASS, NICKEL PLATED	5
2	RETAINING SCREWS	STAINLESS STEEL	2
3	CLAMP AND TERMINAL SCREW ASSY	BRASS, ZINC PLATED	4
4	INSERT	NYLON	1
5	SET SCREW	STAINLESS STEEL	1
6	TERMINAL COVER	POLYCARBONATE	1
7	HOUSING	SILICONE WITH NYLON THREAD	1
8	GROMMET	RUBBER	2
9	FRICTION RING	NYLON	1
10	COMPRESSION NUT	NYLON	1
11	CABLE GLOVE	SILICONE	1

NOTE:
1. "ACCEPT CABLE RANGE FROM .562" TO 1.00"

FUNCTIONAL SYMBOLS $F_A = 0$ $F_C = 0$ $F_P = 0$ DIVISIONAL SYMBOLS	THIS DRAWING CONTAINS INFORMATION THAT IS PROPRIETARY TO MOLEX ELECTRONIC TECHNOLOGIES, LLC AND SHOULD NOT BE USED WITHOUT WRITTEN PERMISSION		SCALE: NTS		CURRENT REV DESC: CORRECT WOODHEAD NO. 29W82MB WAS 27W82MB.	
	DIMENSION UNITS: INCH[MM]		GENERAL TOLERANCES (UNLESS SPECIFIED)		EC NO: 664110	
	4 PLACES ±		MM INCH		DRWN: DNGUYEN62 2021/05/17	
	3 PLACES ±				CHK'D: WLEUNG 2021/05/17	
2 PLACES ±				APPR: HKNEELAND 2021/05/25		
1 PLACE ±				INITIAL REVISION:		
0 PLACES ±				DRWN: DRAWN BY 0099/99/99		
ANGULAR TOL ± °				APPR: APPR BY 0099/99/99		
DRAFT WHERE APPLICABLE MUST REMAIN WITHIN DIMENSIONS		THIRD ANGLE PROJECTION		DRAWING SERIES: C-SIZE 130147		

molex		
WATERTITE CONNECTOR MOTOR BASE 4P5W L22-30		
PRODUCT CUSTOMER DRAWING		
DOCUMENT NUMBER	DOC TYPE	DOC PART
1301470119	PSD	000
MATERIAL NUMBER		SHEET NUMBER
SEE TABLE		1 OF 1