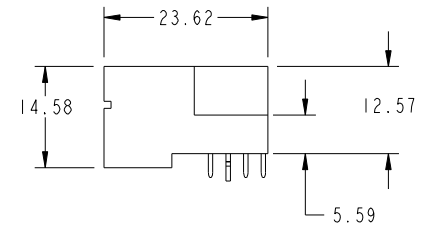
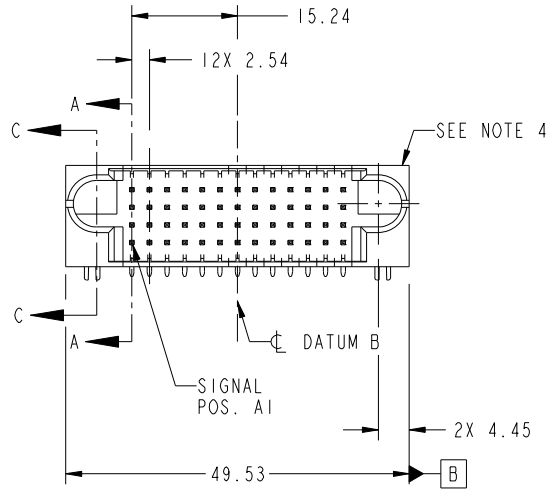


Tous droits strictement reserves. Reproduction ou communication a des tiers interdite sous quelque forme que ce soit sans autorisation écrite du propriétaire. Propriete de c FCI. Droits de reproduction FCI.



All rights strictly reserved. Reproduction or issue to third parties in any form whatever is not permitted without written authority from the proprietor. Property of FCI. Copyright FCI.

PRODUCT NO.	ROWS	SIGNAL													E2
		E1	1	2	3	4	5	6	7	8	9	10	11	12	
51939-437... NOTE 3	D C B A														



CODE	DIM "M" MATING LENGTH	CONTACT TYPE
U	[6.86]	SIGNAL
T	[6.86]	SIGNAL
S	[6.86]	SIGNAL
R	[6.86]	SIGNAL
HA	[N/A]	HOLD-DOWN
E	[5.59]	SIGNAL

mat'l code				SEE NOTE	tolerances unless otherwise specified		CUSTOMER		
ltr	ecn no.	dr	date	linear	0.X ±0.5	projection	COPY		
A	DG09-0211	WD	07/01/09	angles	0.XX ±0.25		title		
					0.XXX ±0.1	MIM	52S		
				dr	0° ±2°	← MIM →	RIGHT ANGLE SOLDER HEADER		
				enr	Warren Du 05/04/09	scale	product family	PwrBlade	code
				chr	Warren Du 05/04/09	1:1	size	A	213
				appd	PM ZHENG 05/04/09		dwg no	51939-437	sheet
					JOSEPH HSIA 05/04/09			1 of 4	
sheet index	revision sheet	A	A	A	A				
		1	2	3	4				

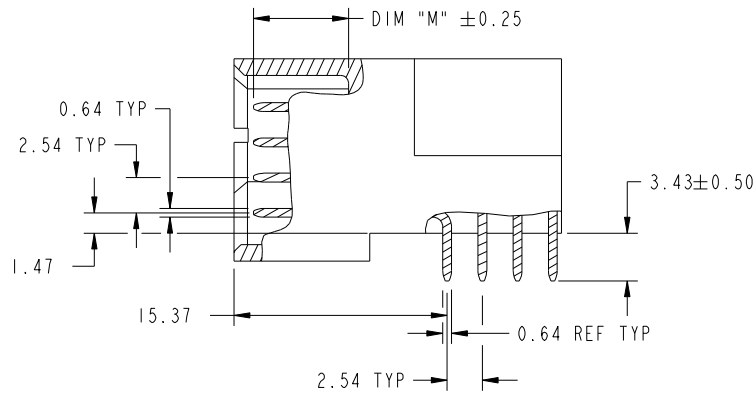
cage code 22526

Tous droits strictement reserves. Reproduction ou communication a des tiers interdite sous quelque forme que ce soit sans autorisation ecrite du proprietaire. Propriete de c FCI. Droits de reproduction FCI.

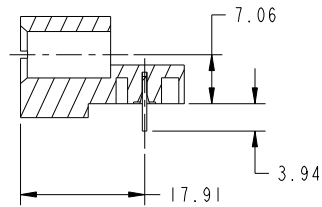
All rights strictly reserved. Reproduction or issue to third parties in any form whatever is not permitted without written authority from the proprietor. Property of FCI. Copyright FCI.



PRODUCT NUMBER  
51939-437\_\_  
NOTE: 3



BROKEN-OUT SECTION A-A  
SCALE 2:1



SECTION C-C

mat'l code				SEE NOTE		tolerances unless otherwise specified		CUSTOMER		FCI	
ltr	ecn no.	dr	date	linear	0.X ±0.5	COPY		projection		www.fciconnect.com	
A					0.XX ±0.25	MIM		title		52S	
				angles	0.XXX ±0.1	← MIM →		product family		PwrBlade	
		dr	Warren Du	0° ±2°	0	scale		size		code	
		enr	Warren Du		1	1:1		dwg no		213	
		chr	PM ZHENG		2			51939-437		sheet	
		appd	JOSEPH HSIA		3			A		2 of 4	
sheet index	revision sheet										

cage code 22526

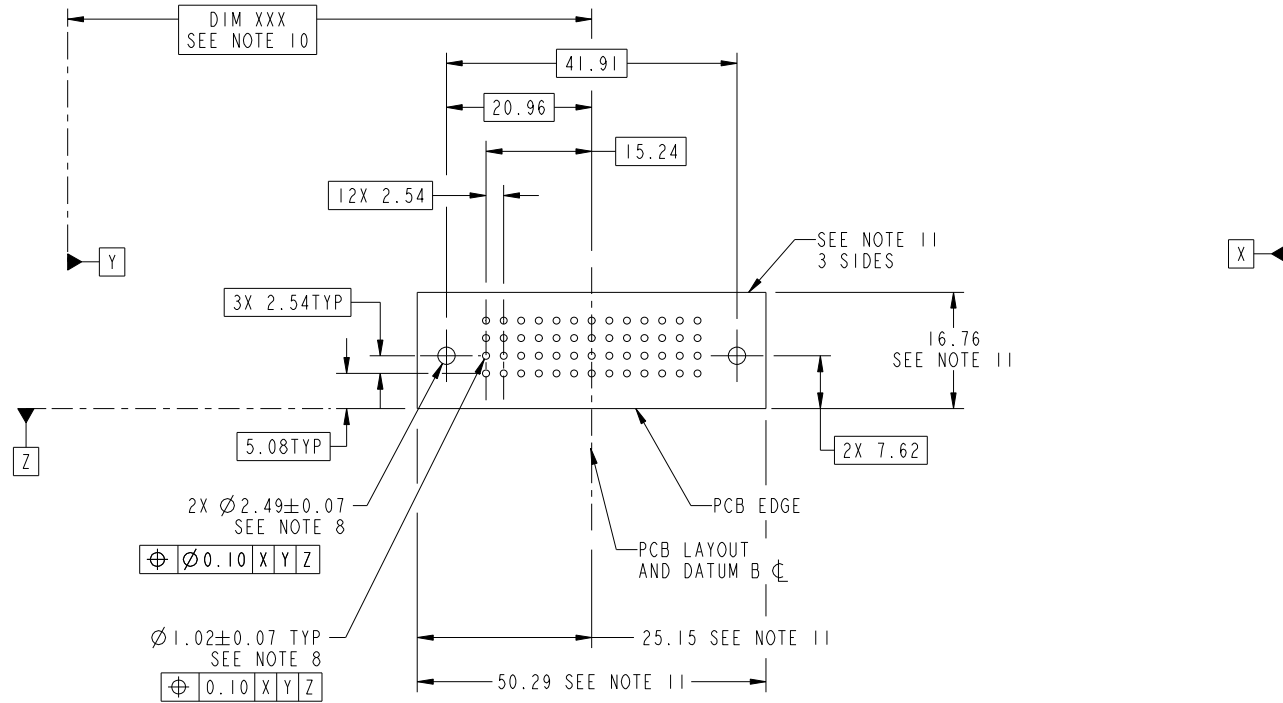
Pro/E

Tous droits strictement reserves. Reproduction ou communication a des tiers interdite sous quelque forme que ce soit sans autorisation écrite du propriétaire. Propriete de c FCI. Droits de reproduction FCI.



All rights strictly reserved. Reproduction or issue to third parties in any form whatever is not permitted without written authority from the proprietor. Property of FCI. Copyright FCI.

PRODUCT NUMBER  
51939-437\_\_  
NOTE: 3



RECOMMENDED PCB LAYOUT

mat'l code		SEE NOTE		tolerances unless otherwise specified		CUSTOMER		FCI	
ltr	ecn no.	dr	date	linear	0.X ±0.5	COPY		www.fciconnect.com	
A					0.XX ±0.25	projection	title 52S		
				angles	0.XXX ±0.1			RIGHT ANGLE SOLDER HEADER	
					0° ±2°			product family	PwrBlade
		dr	Warren Du	05/04/09		scale	1:1	code	213
		enr	Warren Du	05/04/09				size	dwg no
		chr	PM ZHENG	05/04/09				A	51939-437
		appd	JOSEPH HSIA	05/04/09					sheet
sheet index	revision sheet								3 of 4

cage code 22526

Pro/E

Tous droits strictement reserves. Reproduction ou communication a des tiers interdite sous quelque forme que ce soit sans autorisation écrite du propriétaire. Propriete de c FCI. Droits de reproduction FCI.



All rights strictly reserved. Reproduction or issue to third parties in any form whatever is not permitted without written authority from the proprietor. Property of FCI. Copyright FCI.

PRODUCT NUMBER  
51939-437\_\_  
NOTE: 3

NOTES:

1. DIMENSIONS AND TOLERANCES ARE IN ACCORDANCE WITH ASME Y14.5M, 1994 UNLESS OTHERWISE SPECIFIED.

CONNECTOR NOTES:

- 2. HOUSING MATERIAL: UL 94 V-0 GLASS FILLED HIGH-TEMP THERMOPLASTIC  
POWER CONTACT MATERIAL: COPPER ALLOY  
SIGNAL PIN MATERIAL: COPPER ALLOY
- 3. SEE ITEM 1 & 2 IN PRINT 10064183 FOR PLATING SPEC OF 51939-437 AND 51939-437LF RESPECTIVELY.
- 4. MANUFACTURER'S NAME, P/N, AND DATE CODE TO APPEAR ON THIS SURFACE.
- 5. PRODUCT SPECIFICATION GS-12-149.  
APPLICATION SPECIFICATION BUS-20-067.
- 6. PACKAGED IN TRAYS.

PCB NOTES:

- 7. ALL HOLE DIAMETERS ARE FINISHED HOLE SIZE.
- 8. MOUNTING HOLES, WHERE APPLICABLE, ARE UNPLATED.
- 9.  $\varnothing 1.151 \pm 0.025$  DRILLED HOLES PLATED WITH  
0.008 MIN SnPb OR Sn OVER 0.03  
TO 0.08 Cu PLATING TO ACHIEVE  
 $\varnothing 1.02 \pm .07$  HOLE.
- 10. "DIM XXX" TO BE DETERMINED BY THE CUSTOMER.
- 11. CONNECTOR KEEP-OUT ZONE.

mat'l code				SEE NOTE		tolerances unless otherwise specified		CUSTOMER		FCI	
ltr	ecn no.	dr	date	linear		0.X ± 0.5	COPY		www.fciconnect.com		
A						0.XX ± 0.25	projection	title 52S			
				angles		0.XXX ± 0.1		RIGHT ANGLE SOLDER HEADER			
						0° ± 2°	MIM		product family	PwrBlade	code
				dr	Warren Du	05/04/09	← MIM →		size		213
				engr	Warren Du	05/04/09	scale	A	dwg no	51939-437	sheet
				chr	PM ZHENG	05/04/09	1:1			4 of 4	
				appd	JOSEPH HSIA	05/04/09					
sheet index	revision sheet										

cage code 22526

Pro/E