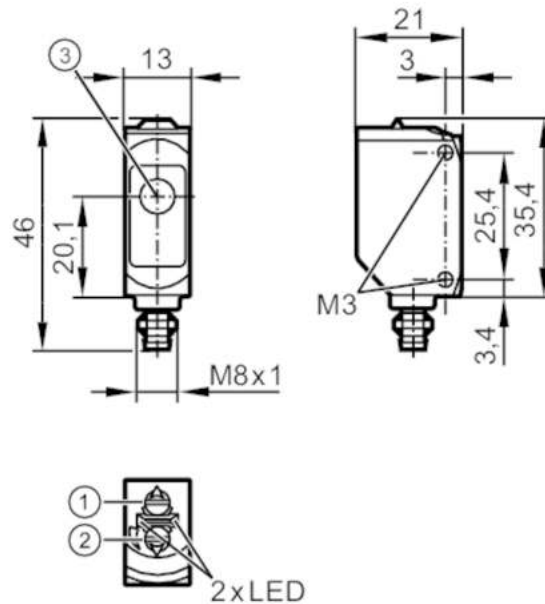




Through-beam sensor receiver

O6E-FPKG/AS/3P



- 1: output function switch
- 2: potentiometer sensitivity
- 3: Light incidence



Product characteristics

Type of light	red light
Housing	rectangular

Application

Function principle	Through-beam sensor
--------------------	---------------------

Electrical data

Operating voltage	[V]	10...30 DC
Current consumption	[mA]	7; ((24 V))
Protection class		III
Reverse polarity protection		yes
Type of light		red light
Wave length	[nm]	633

Outputs

Electrical design		PNP
Output function		light-on/dark-on mode; (selectable)
Max. voltage drop switching output DC	[V]	2.5
Permanent current rating of switching output DC	[mA]	100
Switching frequency DC	[Hz]	1000
Short-circuit protection		yes
Type of short-circuit protection		pulsed



Through-beam sensor receiver

O6E-FPKG/AS/3P

Detection zone		
Transmitter / receiver		receiver
Range	[m]	< 10
Range adjustable		yes
Operating conditions		
Ambient temperature	[°C]	-25...60
Protection		IP 65; IP 67
Tests / approvals		
EMC		EN 60947-5-2
MTTF	[years]	956
UL approval		UL Approval no. E001
Mechanical data		
Weight	[g]	18.1
Housing		rectangular
Dimensions	[mm]	46 x 13 x 21
Materials		housing: ABS; PPSU
Lens material		PMMA
Lens alignment		side lens
Sealing material		EPDM
Tightening torque	[Nm]	0.5
Displays / operating elements		
Display	switching status	1 x LED, yellow
	operation	1 x LED, green
Remarks		
Remarks		operating voltage "supply class 2" according to cULus
Pack quantity		1 pcs.
Electrical connection		

Connector: 1 x M8; coding: A; Locking: brass, coated; Sealing: EPDM

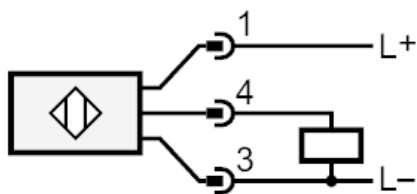




Through-beam sensor receiver

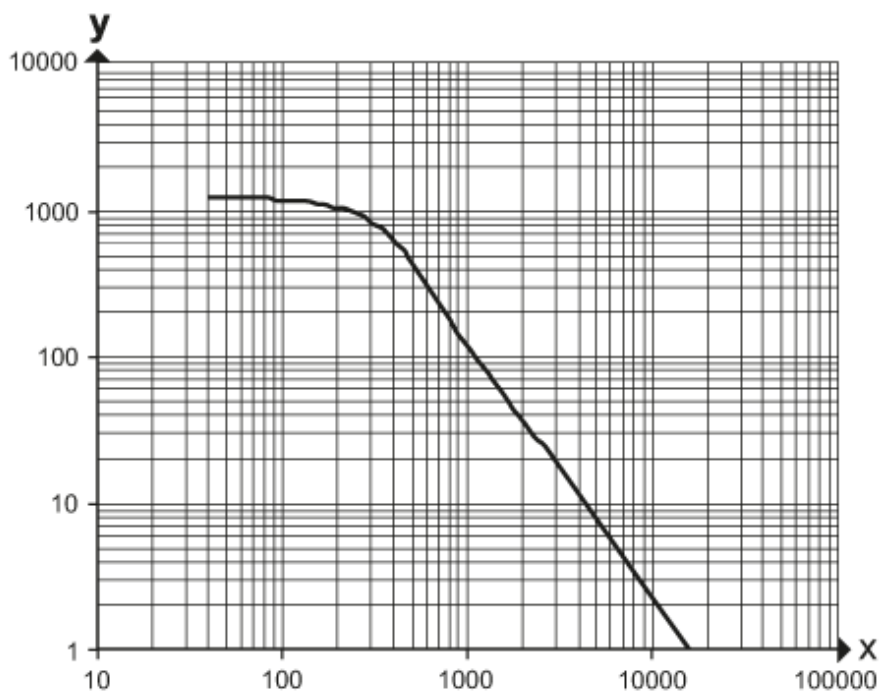
O6E-FPKG/AS/3P

Connection



Diagrams and graphs

excess gain graph



x: distance [mm]

y: excess gain factor