

LOC	DIST	REVISIONS					
A	00	P	LTR	DESCRIPTION	DATE	DWN	APVD
			A1	SEE PRODUCT DRAWING	-	-	-


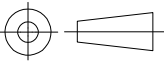
SEE PRODUCTION DRAWING
1852447

RELEASED FOR PUBLICATION

ALL RIGHTS RESERVED.

THIS DRAWING IS UNPUBLISHED.

© COPYRIGHT - By -

DIMENSIONS: INCHES	DWN	13MAR2012	MATERIAL	-	FINISH	-	
	CHK	-	 TE Connectivity				
TOLERANCES UNLESS OTHERWISE SPECIFIED:	APVD	-					
0 PLC ± - 1 PLC ± - 2 PLC ± - 3 PLC ± - 4 PLC ± - ANGLES ± -	PRODUCT SPEC	-	NAME END FEED HDM APPLICATOR				
	APPLICATION SPEC	-	SIZE	CAGE CODE	DRAWING NO	RESTRICTED TO	
	WEIGHT	-	A4	00779	C-1852447	-	
	CUSTOMER DRAWING			SCALE	-	SHEET	1 OF 1
						REV	A1