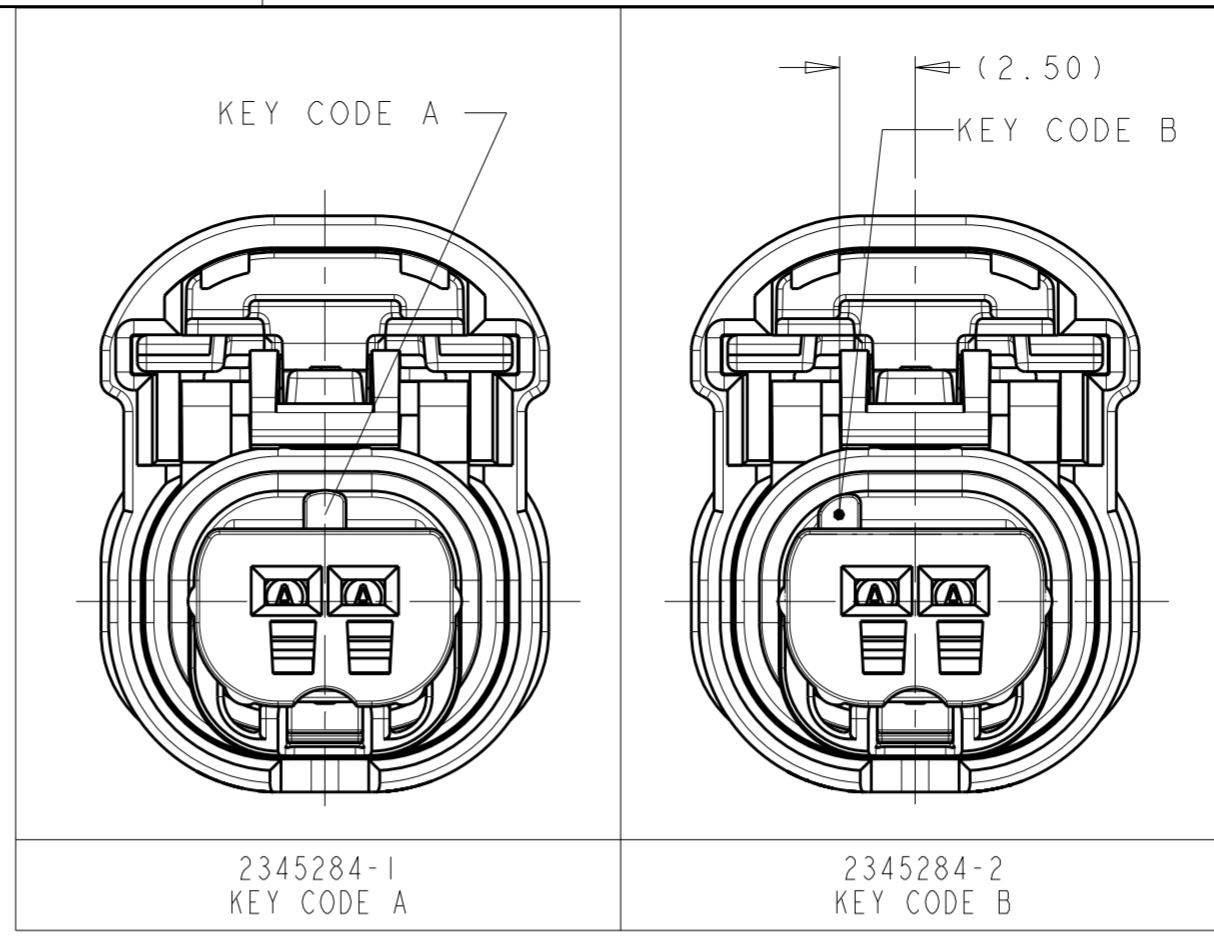
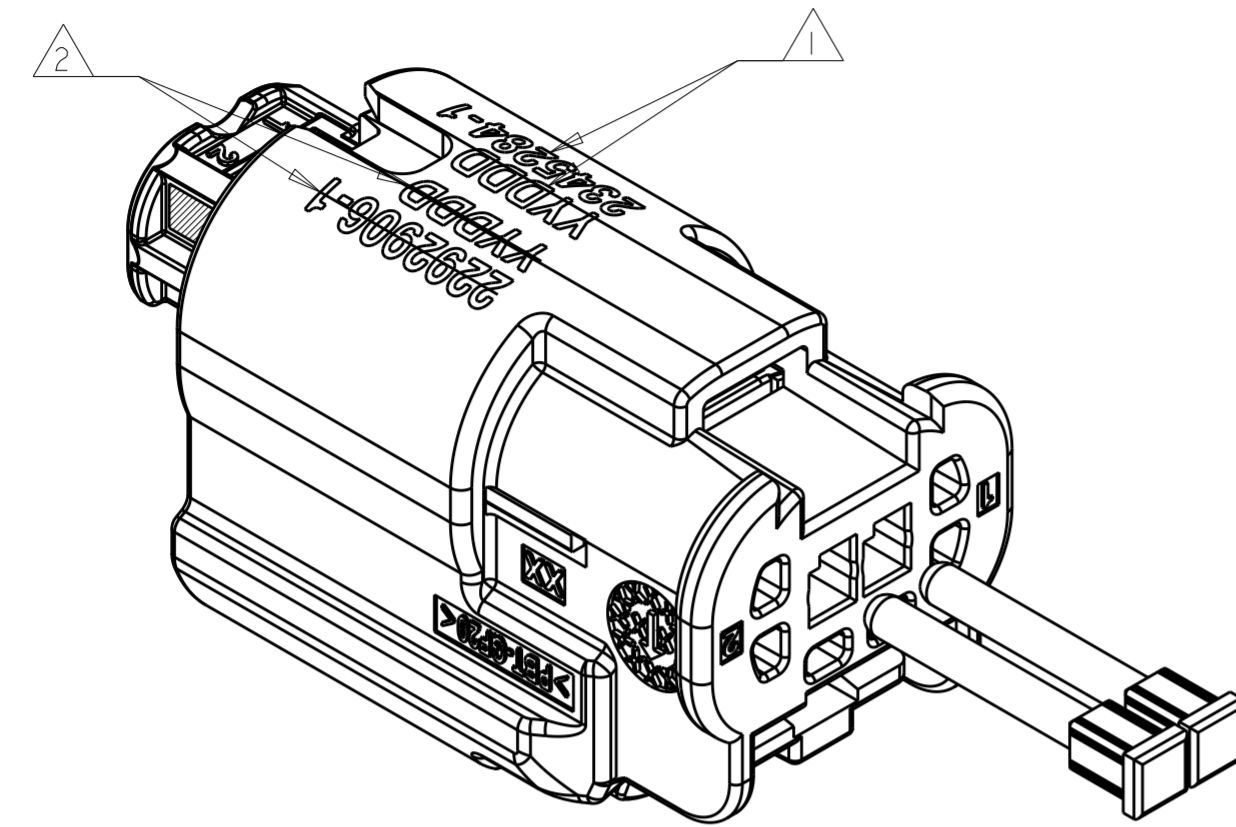
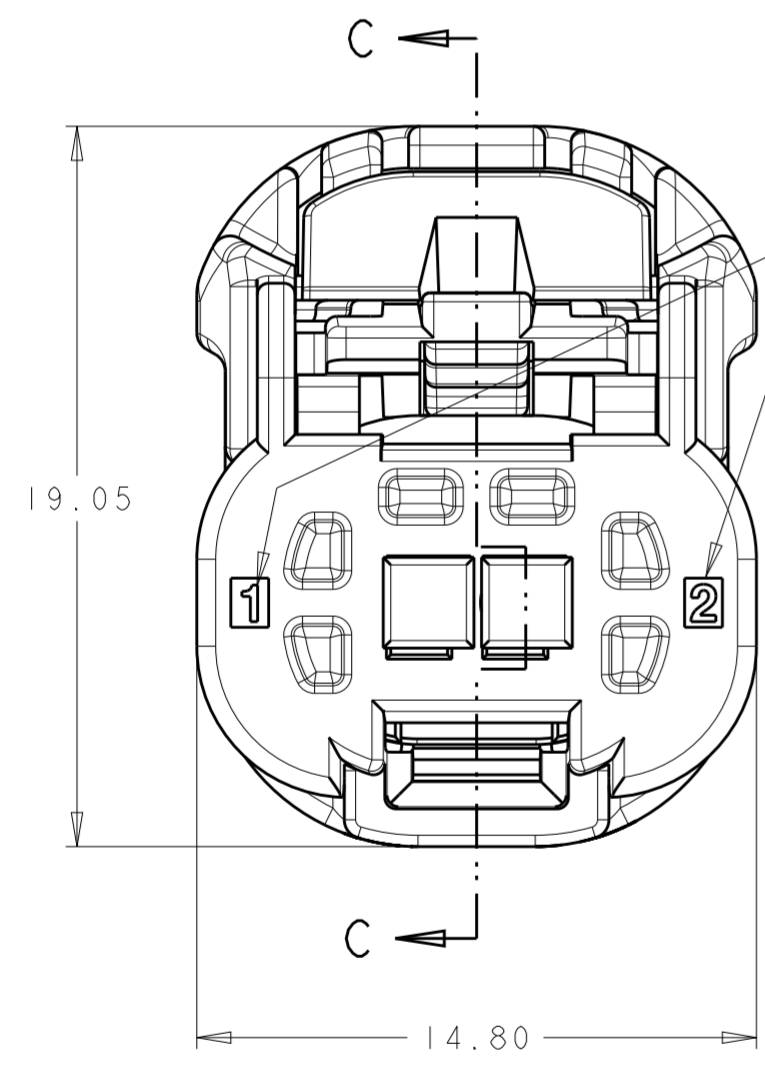


THIS DRAWING IS UNPUBLISHED. RELEASED FOR PUBLICATION
 © COPYRIGHT copyright.d8Te- ALL RIGHTS RESERVED.

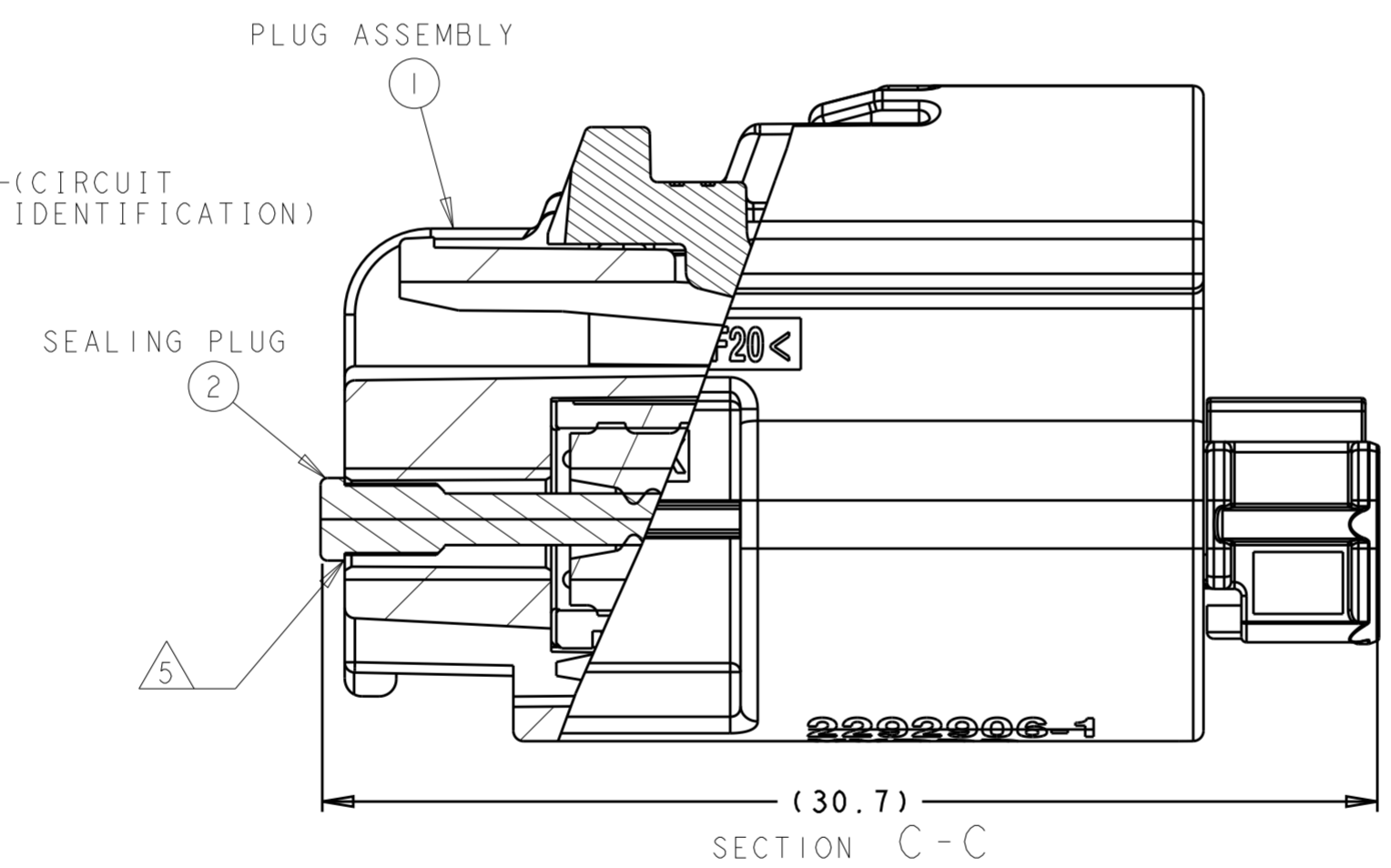
REVISIONS				
P	LTR	DESCRIPTION	DATE	APVD
A		INITIAL RELEASE	1MAR2019	NRS
A1		REVISED PER ECR-19-003965	12MAR2019	NRS
A2		REVISED PER ECR-19-009697	20JUN2019	NRS



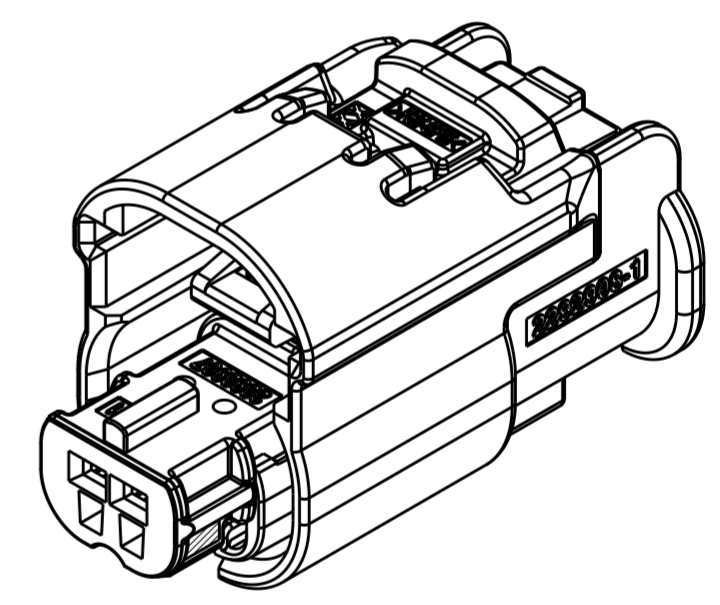
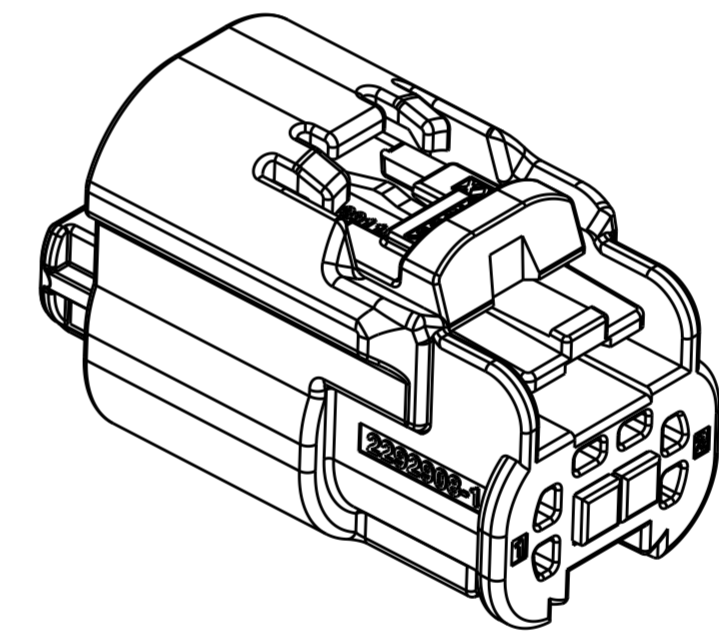
- NOTES:
- 1. TE DUST PLUG ASSEMBLY PART NUMBER AND DATE CODE MARKED IN THE AREAS SHOWN.
DATE CODE MARKING SHALL CONSIST OF YEAR AND DAY (YYDDD)
 - 2. 2292906 CONNECTOR ASSEMBLY PART NUMBER AND DATE CODE WILL BE ETCHED OUT.
 - 3. FOR CONNECTOR DETAILS REFER TO CUSTOMER DRAWING 2292906.
 - 4. MATERIAL:
 - 1 1612108-4: PBT, COLOR: YELLOW
 - 2 2292906: PBT, COLOR; BLACK
 - 5. SEALING PLUG MUST BE FULLY SEATED AGAINST CONNECTOR OUTER HOUSING.
 - 6. PART WEIGHT: 4.45g



FRONT VIEW
SCALE 5:1



SECTION C-C



ISOMETRIC VIEW FOR REFERENCE ONLY
SCALE: 3:1

QTY REQD PER ASSY		PART NO	DESCRIPTION	ITEM NO
2	2	1612108-4	CAVITY PLUG CLEAN BODY	2
1	-	2292906-2	PLUG ASSEMBLY SEALED, 2 POS MCON 1.2 CB, KEY B	1
-	1	2292906-1	PLUG ASSEMBLY SEALED, 2 POS MCON 1.2 CB, KEY A	1

THIS DRAWING IS A CONTROLLED DOCUMENT.

DIMENSIONS:	TOLERANCES UNLESS OTHERWISE SPECIFIED:	DWN N.SAVOY 7DEC2018	STE TE Connectivity
mm	0 PLC ±-	CHK R.BALTER 1MAR2019	
	1 PLC ±0.5	APVD N.SAVOY 1MAR2019	
	2 PLC ±0.30	PRODUCT SPEC 108-151045	
	3 PLC ±0.100	APPLICATION SPEC -	NAME 2 POS, MCON 1.2 REC HSG ASSY, SLD
	4 PLC ±0.0100	WEIGHT 4.45	SIZE CAGE CODE DRAWING NO RESTRICTED TO
MATERIAL	FINISH -	CUSTOMER DRAWING	A200779C-2345284
		SCALE 4:1	SHEET 1 OF 1