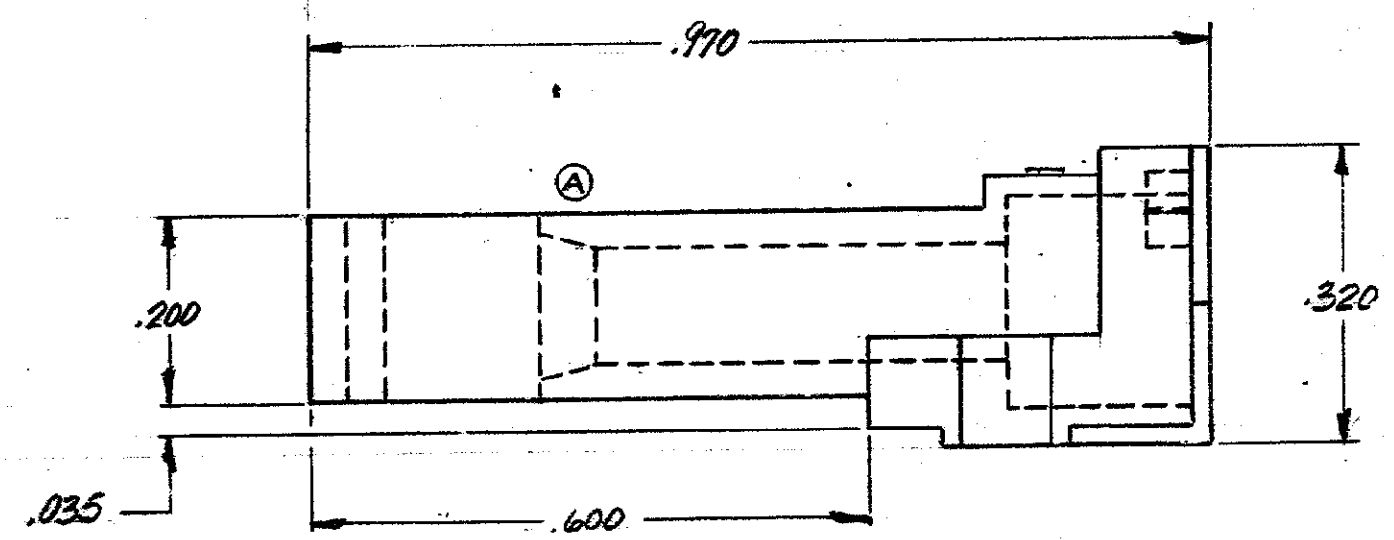
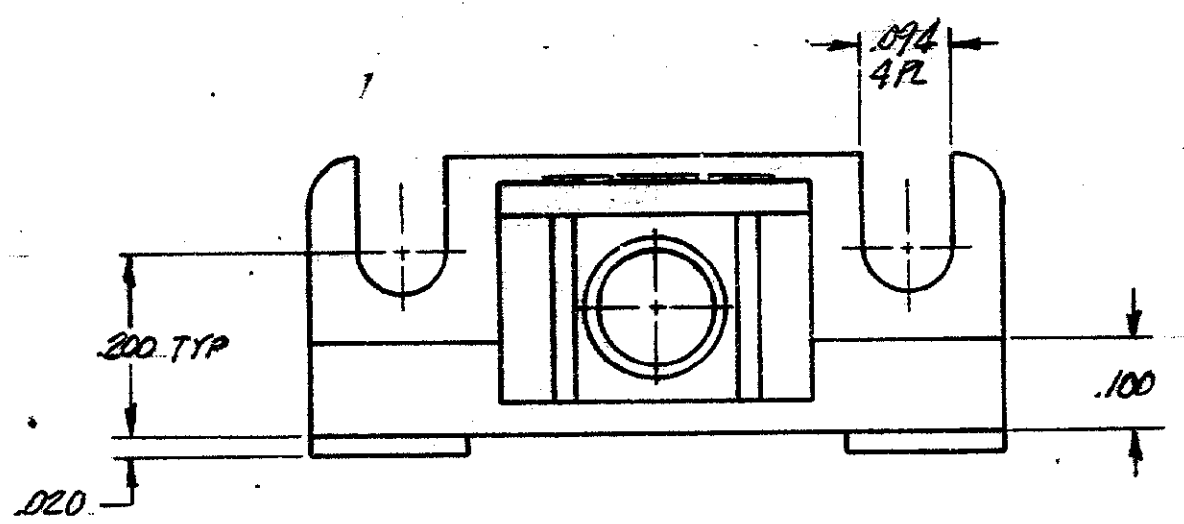
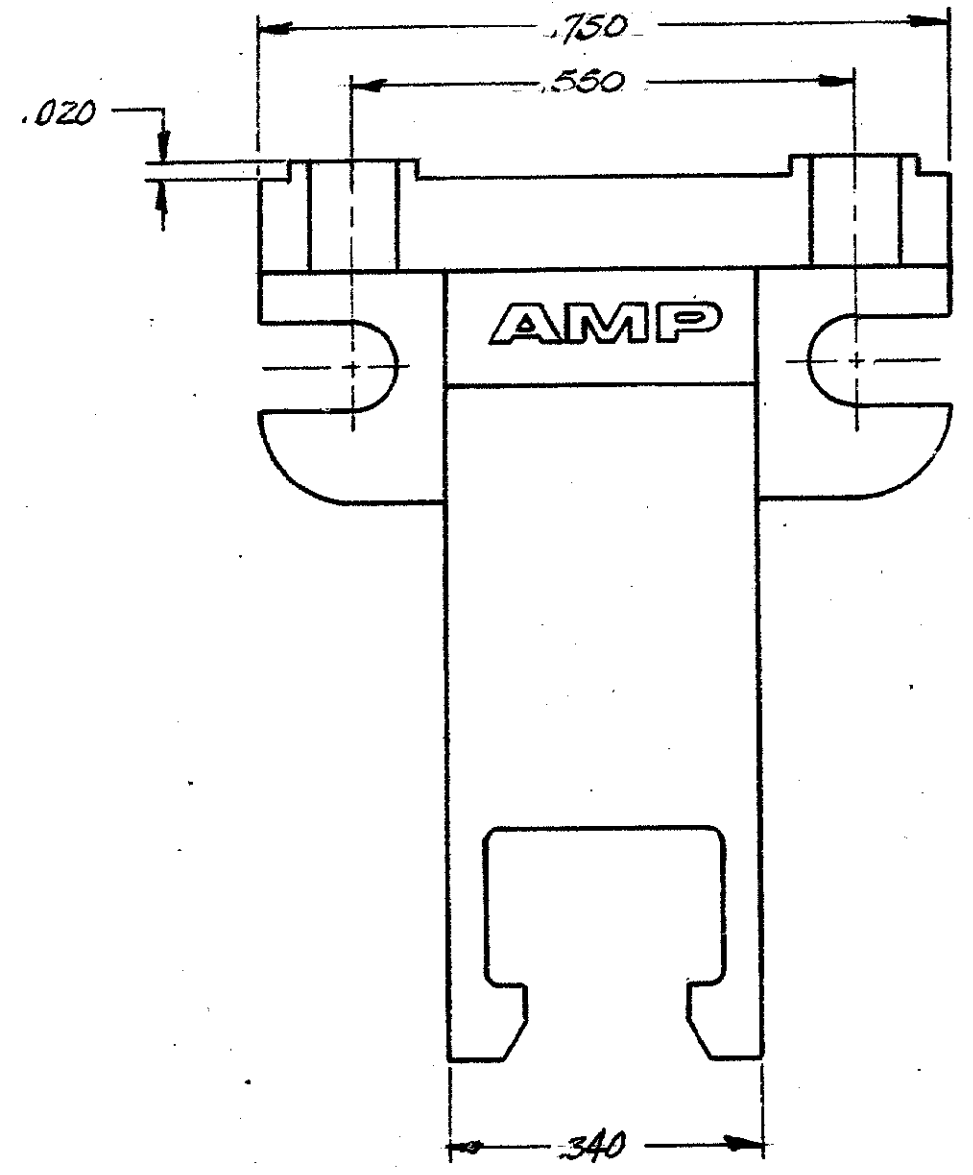



DRAWING MADE IN AMERICAN PROJECTION

© 1951 BY AMP INCORPORATED. ALL RIGHTS RESERVED. AMP PRODUCTS COVERED BY PATENTS AND/OR PATENTS PENDING.

REVISIONS				
ZONE	LTR	DESCRIPTION	DATE	APPROVED
0		RELEASED NPS 81-2515	3/30/81	JBL
A		REVISED CONFIGURATION OF I.D. C81-231	3/22/81	JBL
B		REV. PER ECN C83-261	3/23/83	P.K. 9008



UNLESS OTHERWISE SPECIFIED, DIMENSIONS ARE IN INCHES TOLERANCES ON: DECIMALS ±.010 ANGLES ±	CONTRACT NO.	 AMP INCORPORATED HARRISBURG, PENNSYLVANIA	
	DR <i>J. Bluff</i> 3/30/81		
MATERIAL NYLON, COLOR: BLACK	CHK <i>R. Melton</i> 3/31/81	MOUNT, ACTIVE DEVICE	
	APPD <i>Bernie Cason</i> 3/31/81	OPTIMATE DNP	
	REL <i>Michael Sand</i> 4-1-81	TO-18 TYPE	
	DSGN APPD	SIZE	CODE IDENT NO.
OTHER APPD	C	00779	228043-1
	SCALE		SHEET 1 of 1