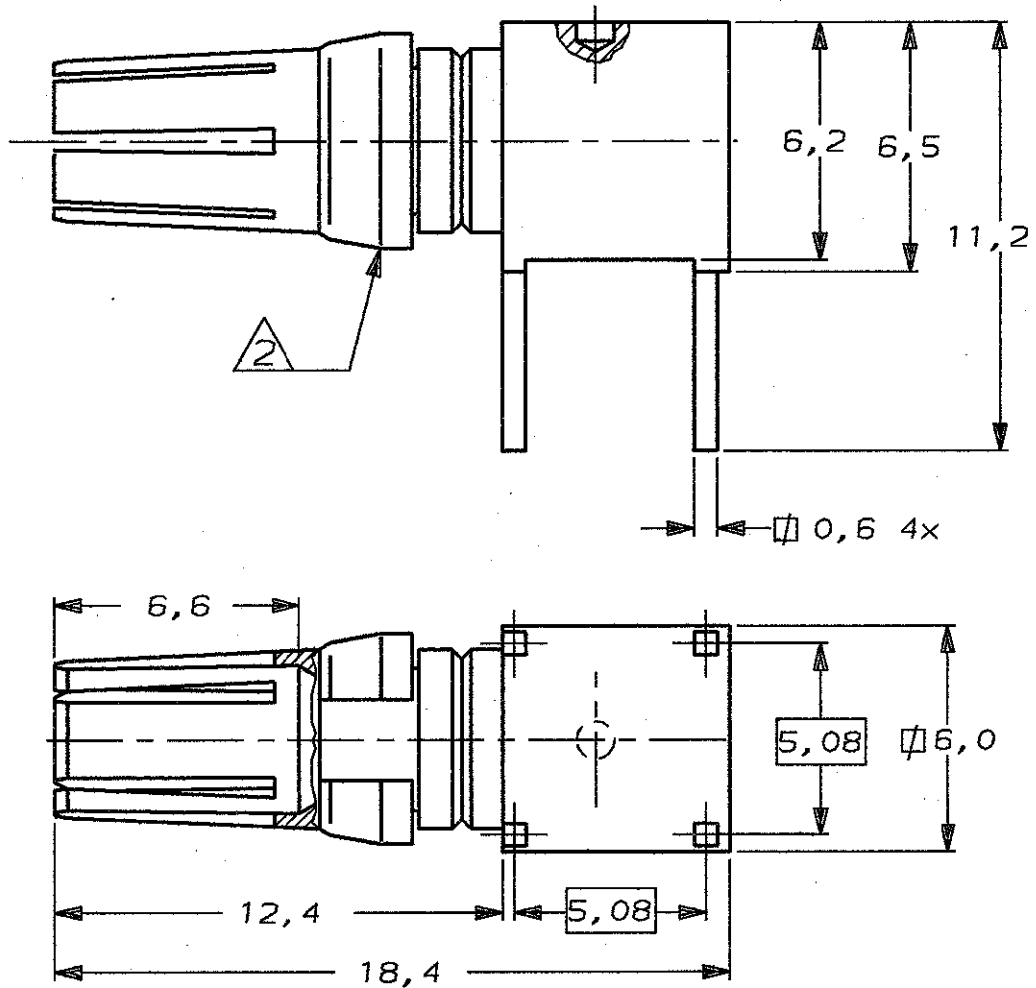


DO NOT SCALE

DIMENSIONS IN mm

METRIC

THIRD ANGLE  
PROJECTION



NOTES:

1 SUITABLE FOR FEMALE D-IEC CONNECTORS.

△ RETAINING RING.

GOLD (CLASS 1)		CONTACT; BERYLLIUM COPPER			100091-1	
FINISH		MATERIAL			PARTNUMBER	
-	-	-	-	-	CUSTOMER DRAWING FOR REFERENCE ONLY WILL NOT BE UPDATED	
-	-	-	-	-	© COPYRIGHT 19- BY AMP HOLLAND B.V. ALL INTERNATIONAL RIGHTS RESERVED. AMP PRODUCTS MAY BE COVERED BY U.S. AND FOREIGN AND/OR PATENTS PENDING.	
-	-	-	-	-	THIS DRAWING IS UNPUBLISHED RELEASED FOR PUBLICATION , 19	
-	-	-	-	-	AMP HOLLAND B.V. s-Hertogenbosch, The Netherlands.	
B	H-9578	S.M.	<i>18/0</i>	04-03-92	NAME	
A	H-9387	S.M.	<i>18/0</i>	11-12-91	POWER CONTACT FEMALE 90° 4 SOLDER POSTS (40 AMP)	
LTR.	REVISION RECORD		DR.	CHK.	DATE	
DR.:	J.V.LIEMPT	CHK.:	J.V.GRUNSVEN	APP.:	L.V.SOEST	DWG.No.
DATE:	21-03-91	DATE:	16-04-91	DATE:	18-04-91	C-100091
REV.LTR.	SHEET		REV.LTR.		SHEET	
B	1 OF 1		B		A4	