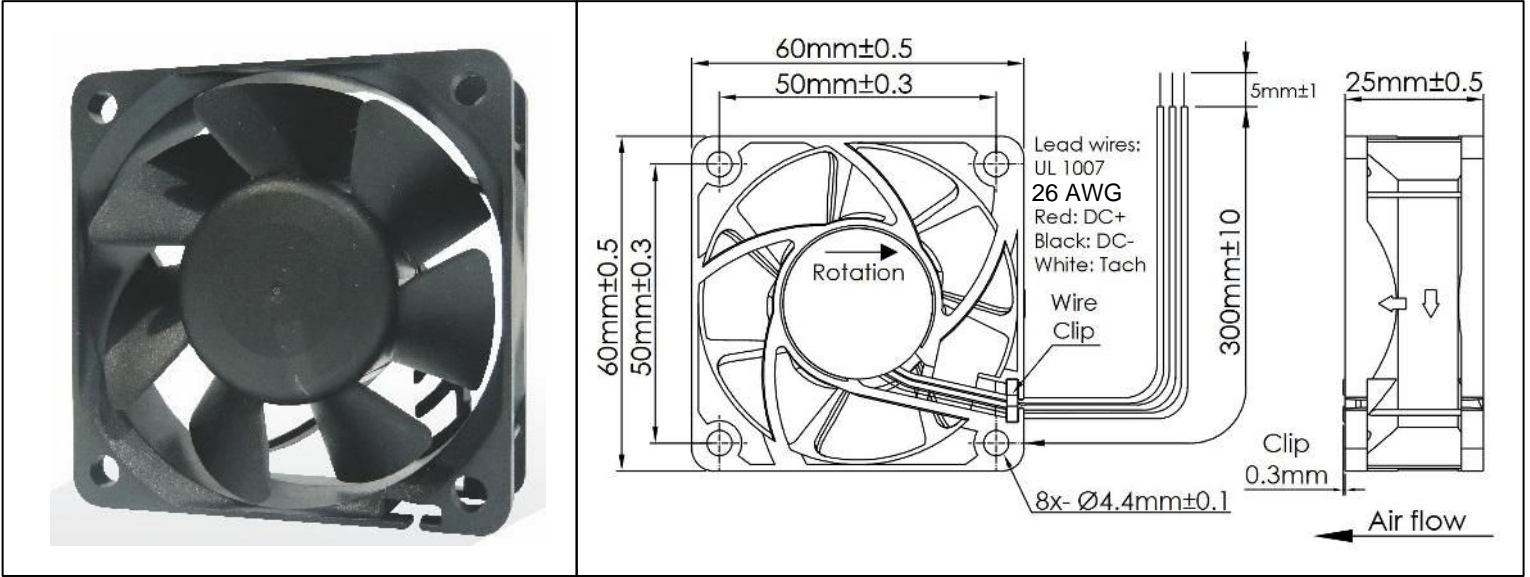


163241221  
(+OD6025-24HB01A)



DC Fan, 24V  
60x60x25mm (2.36"x0.98")



Frame	PBT UL94 V-0 Plastic
Impeller	PBT UL94 V-0 Plastic
Connection	2x Wire Leads, 26 AWG
Motor	Brushless DC, Auto Cutoff, Auto Restart, Electronically Protected, Polarity Protected
Bearing System	Dual Ball Bearings
Dielectric Strength	500VAC/min, <1mA
Insulation Resistance	≥10M Ohm @ 500 VDC

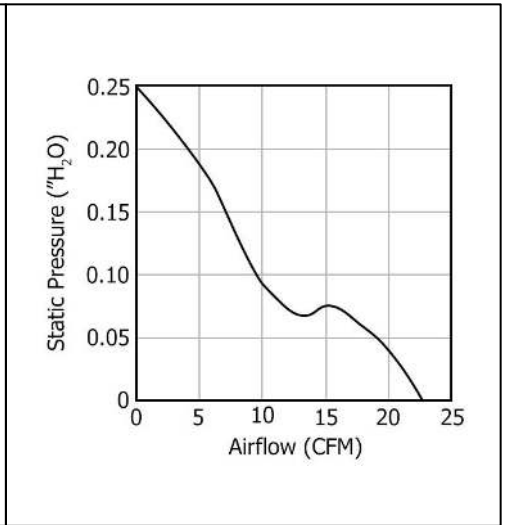
**Operating Temperature**  
-10°C ~ +70°C

**Storage Temperature**  
-40°C ~ +70°C

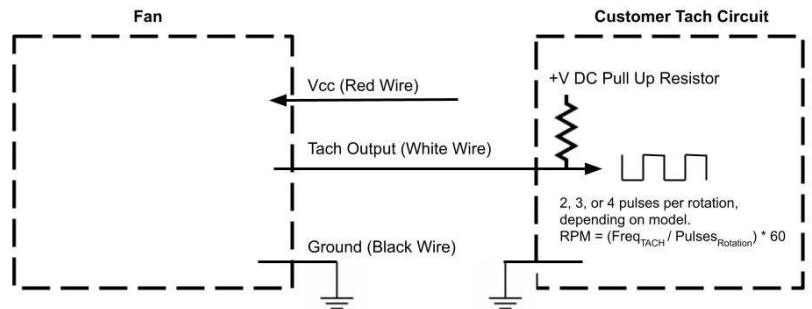
**Life Expectancy**  
70,000 hours (L10 at 40°C)

**Installed Options**  
No Ribs Frame Option  
Open Collector Tach Output

Weight: 0.14 lbs.



Part Number	163241221 (+OD6025-24HB01A)
Rated Voltage	24 VDC
Voltage Range	17 ~ 26.4
Rated Power	1.92 W
Rated Current	0.08 A
Rated Speed (RPM)	4490
Airflow (CFM)	23
Noise Level (dB)	33.3
Max. Static Pressure	0.248" H <sub>2</sub> O



Tach Max Pullup Voltage: 24V  
Tach Max Sink Current: 5mA  
Tach Low Voltage: ≤0.5V  
Tach Pulses per rotation: 2