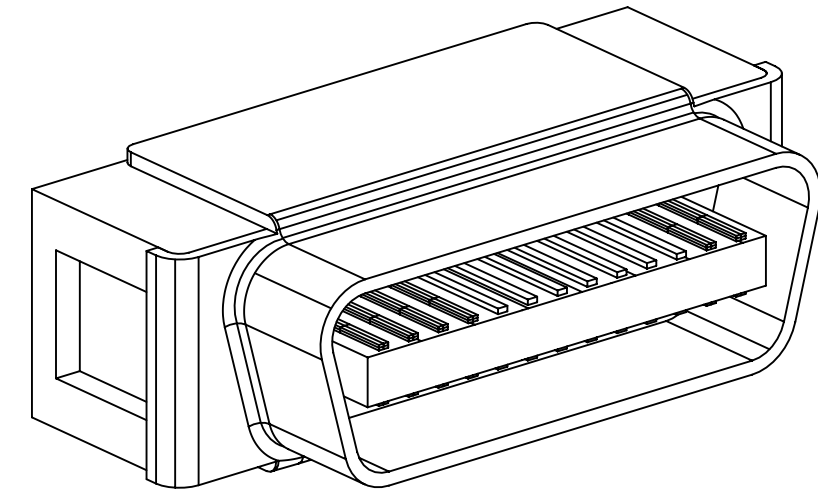


3M™ MINI D RIBBON (MDR) CONNECTORS, 101 SERIES  
 .050" STRADDLEMOUNT PLUG - SHIELDED



101XX-900APX  
 PLUG

2 PHYSICAL :

INSULATION MATERIAL :  
 BODY: GLASS REINFORCED POLYESTER (PCT)  
 INSERT MOLD: GLASS REINFORCED POLYESTER (LCP)  
 FLAMMABILITY: UL94V-0  
 COLOR: BLACK  
 CONTACT MATERIAL: COPPER ALLOY  
 PLATING:  
 UNDER PLATING: 80µ" ( 2.0µm ) NICKEL-OVERALL  
 WIPING AREA: SEE ORDERING INFORMATION  
 SOLDER TAILS: GOLD FLASH OVER NICKEL (RIA E1 & C1 APPLY)  
 BODY MATERIAL: ZINC ALLOY  
 PLATING: NICKEL  
 SHROUD MATERIAL: STEEL  
 PLATING: NICKEL  
 MARKINGS: 3M LOGO AND PART NUMBER

2 ELECTRICAL :

CURRENT RATING: 1A  
 INSULATION RESISTANCE: >5 X 10<sup>9</sup>Ω AT 500 V<sub>DC</sub>  
 WITHSTANDING VOLTAGE: 500V<sub>RMS</sub> FOR 1 MINUTE

2 ENVIRONMENTAL :

TEMPERATURE RATING: -20°C TO 85°C

- NOTES
- REGULATORY INFORMATION:  
 VISIT 3M.com/regs
  - IN THE EVENT OF CONFLICT BETWEEN THIS DATA AND THAT CONTAINED IN THE PRODUCT SPECIFICATION, THE PRODUCT SPECIFICATION TAKES PRECEDENT.
  - THERE ARE TWO SLOTS IN THE PLUG THAT ARE A STOP FOR THE PCB BOARD TO KEEP IT FROM ENTERING FURTHER INTO THE PLUG.

ORDERING INFORMATION

101XX-900APX

CONTACT QTY:   
 (SEE TABLE 1)  
 NOTE: AO=100

WIPING CONTACT PLATING:  
 L = 8µ" [ 0.2µm ] MIN. GOLD (RIA E1 & C1 APPLY)  
 C = 30µ" [ 0.76µm ] MIN. GOLD (RIA E1 & C1 APPLY)

COMPATIBLE BOARD THICKNESS:  
 A = 1.0MM STANDARD  
 O = 1.6MM SPECIAL ORDER

DIMENSIONS: INCHES [ MM ]  
 [ MM ] IS REF. ONLY

3M ELECTRONICS MATERIALS SOLUTIONS DIVISION  
 INTERCONNECT SOLUTIONS  
<http://www.3M.com/interconnect>

3M IS A TRADEMARK OF 3M COMPANY.  
 FOR TECHNICAL, SALES OR ORDERING  
 INFORMATION CALL 800-225-5373

**3M**  
 UL FILE NO: E68080

| REV | ECO   | ISSUE DATE AND DESCRIPTION  | DRFT | CHKD |
|-----|-------|---|------|------|
| E   | 95427 | FEB 11, 2021<br>REVISE 68P DIM C  | JNC  | FJR  |
| D   | 28356 | FEB 20, 2017<br>2-20-17 ADD 3M NOTE TO SHT2<br>7-7-15 REVISED & REDRAWN, 7-15-16 REVISED PCB LAYOUT | JNC  | DC   |

| DESIGN REFERENCE | NEXT ASSEMBLY | REV | ECO | ISSUE DATE AND DESCRIPTION | DRFT | CHKD |
|------------------|---------------|-----|-----|----------------------------|------|------|
|                  |               |     |     |                            |      |      |

| DO NOT SCALE DRAWING | SCALE  | TOLERANCES EXCEPT AS NOTED |
|----------------------|--------|----------------------------|
|                      | 4<br>1 |                            |

| INCHES | MILLIMETERS |
|--------|-------------|
| .0     | ± .1        |
| .00    | ± .01       |
| .000   | ± .005      |
| .0000  | ± .0002     |

| INTERPRET PER ASME Y14.5 - 2018 | MILLIMETERS |
|---------------------------------|-------------|
|                                 | 0 ± 2       |
|                                 | .0 ± .3     |
|                                 | .00 ± .13   |
|                                 | .000 ± .005 |

| TITLE   | CAGE NUMBER | SIZE | DRAWING NO.    | REV. |
|---|-------------|------|----------------|------|
| MINI D RIBBON (MDR) CONNECTOR, .050" STRADDLEMOUNT PLUG | D           |      | 78-5100-0698-0 | E    |

| MODEL | 101XX | DET | 1ST | YES | NO | SHT | 1 OF 3 |
|-------|-------|-----|-----|-----|----|-----|--------|
|       |       |     |     |     |    |     |        |

78-5100-0698-0  
 DRAWING NUMBER



# 3M™ MINI D RIBBON (MDR) CONNECTORS, 101 SERIES

.050" STRADDLEMOUNT PLUG - SHIELDED

**Regulatory:** For regulatory information about this product, visit [3M.com/regs](http://3M.com/regs) or contact your 3M representative.

**Technical Information:** The technical information, recommendations and other statements contained in this document are based upon tests or experience that 3M believes are reliable, but the accuracy or completeness of such information is not guaranteed.

**Product Use:** Many factors beyond 3M's control and uniquely within user's control can affect the use and performance of a 3M product in a particular application. Given the variety of factors that can affect the use and performance of a 3M product, user is solely responsible for evaluating the 3M product and determining whether it is fit for a particular purpose and suitable for user's method of application.


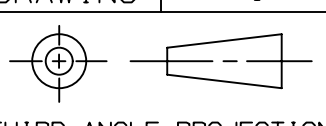
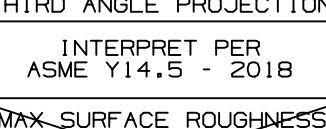
**Warranty, Limited Remedy, and Disclaimer:** Unless an additional warranty is specifically stated on the applicable 3M product packaging or product literature, 3M warrants that each 3M product meets the applicable 3M product specification at the time 3M ships the product. 3M MAKES NO OTHER WARRANTIES OR CONDITIONS, EXPRESS OR IMPLIED, INCLUDING, BUT NOT LIMITED TO, ANY IMPLIED WARRANTY OR CONDITION OF MERCHANTABILITY OR FITNESS FOR A PARTICULAR PURPOSE OR ANY IMPLIED WARRANTY OR CONDITION ARISING OUT OF A COURSE OF DEALING, CUSTOM OR USAGE OR TRADE. If the 3M product does not conform to this warranty, then the sole and exclusive remedy is, at 3M's option, replacement of the 3M product or refund of the purchase price.

**Limitation of Liability:** Except where prohibited by law, 3M will not be liable for any loss or damage arising from the 3M product, whether direct, indirect, special, incidental or consequential, regardless of the legal theory asserted, including warranty, contract, negligence or strict liability.

3M Company  
 Electronics Materials Solutions Division  
 13011 McCallen Pass, Bldg. C  
 Austin, TX 78753-5380  
 1-800-225-5373  
[www.3M.com/interconnect](http://www.3M.com/interconnect)

3M ELECTRONICS MATERIALS SOLUTIONS DIVISION  
 INTERCONNECT SOLUTIONS  
<http://www.3M.com/interconnect>

3M IS A TRADEMARK OF 3M COMPANY.  
 FOR TECHNICAL, SALES OR ORDERING  
 INFORMATION CALL 800-225-5373

|                                 |  |  |             |   |                  |  |
|---------------------------------|--|--|-------------|---|------------------|--|
| DESIGN REFERENCE                | NEXT ASSEMBLY  | REV  | ECO         | ISSUE DATE AND DESCRIPTION  | DRFT             | CHKD   |
|                                 |  |  |             |   |                  |  |
| DCODES                          |  | DRFT   | CASTIGLIONE | DATE  | JUL 07, 2015     | MFG  |
|                                 |  | CHKD   |             | DATE  |                  |  |
| DIVISION                        | DIVISION CODE  | APPRV  | D. CRONCH   | DATE  | JUL 07, 2015     |  |
| DO NOT SCALE DRAWING            | SCALE 1  |  3M Center<br>St. Paul,<br>MN 55144 |             | © 3M COPYRIGHT 2021<br>This document and the information it contains are 3M property and may not be reproduced or further distributed without 3M permission, or used or disclosed other than for 3M authorized purposes. All rights reserved. |                  |  |
| THIRD ANGLE PROJECTION          |     | TOLERANCES EXCEPT AS NOTED<br>INCHES<br>.0 ± .1<br>.00 ± .01<br>.0000 ± .0005<br>.0000 ± .0002                           |             | TITLE<br>MINI D RIBBON (MDR)<br>CONNECTOR, .050"<br>STRADDLEMOUNT PLUG  |                  |  |
| INTERPRET PER ASME Y14.5 - 2018 |     | MILLIMETERS<br>0 ± 2<br>.0 ± .3<br>.00 ± .13<br>.000 ± .005  |             | CAGE NUMBER   | D 78-5100-0698-0 | REV. E   |
| MAX SURFACE ROUGHNESS           | <input checked="" type="checkbox"/> ALL SURFACES<br><input type="checkbox"/> MARKED ONLY | MODEL  | 101XX       | DET   | ISTS             | <input type="checkbox"/> YES <input checked="" type="checkbox"/> NO SHT 3 OF 3 |

78-5100-0698-0 DRAWING NUMBER