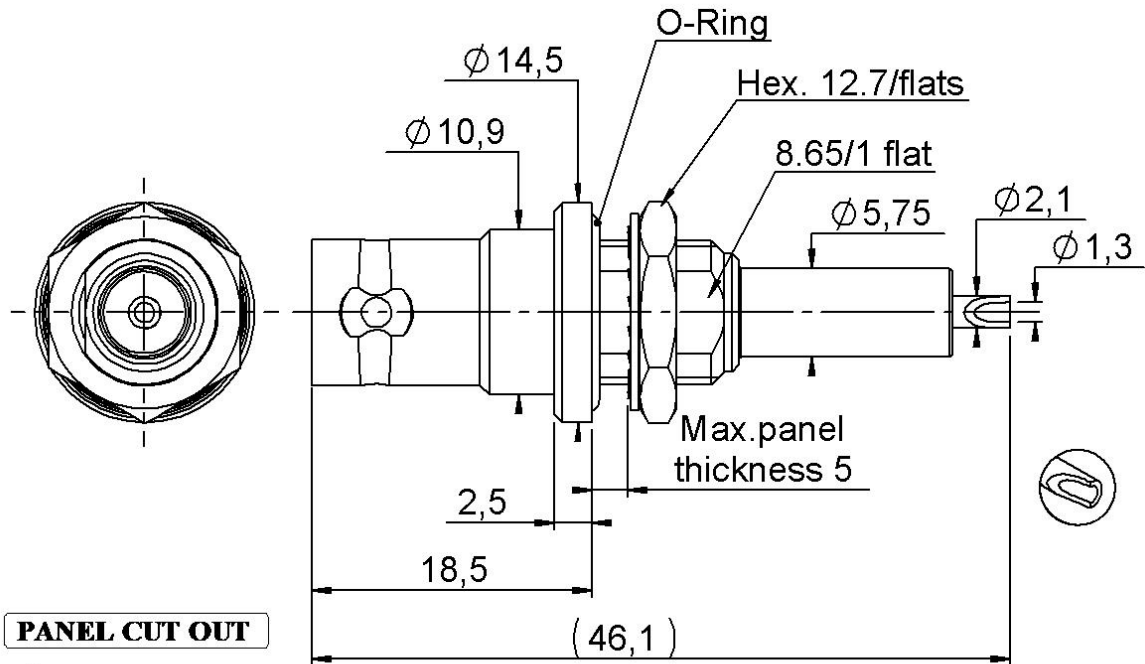
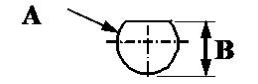


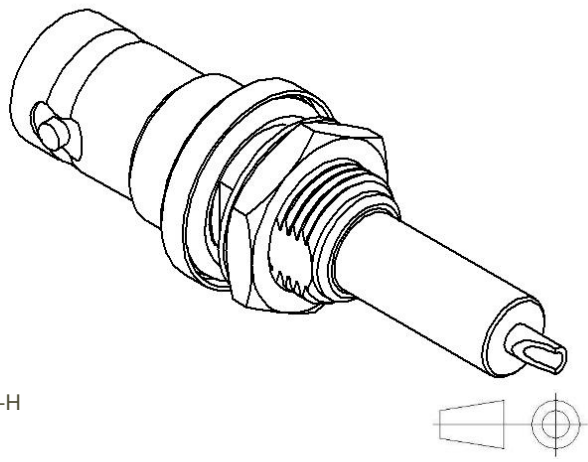
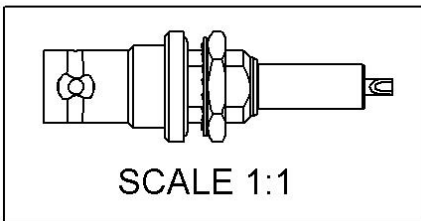
PAGE 1/2	ISSUE 31-05-21H	SERIES SHV	PART NUMBER R317580000
----------	--------------------	------------	------------------------



PANEL CUT OUT

A 

mm		
	Maxi	mini
A	9.6	9.5
B	8.9	8.8



All dimensions are in mm. Tolerances according ISO 2768 m-H

COMPONENTS	MATERIALS	PLATING (µm)
Body	BRASS	NICKEL
Center contact	BRASS	GOLD OVER NICKEL
Outer contact	-	-
Insulator	PTFE	-
Gasket	SILICONE RUBBER	-
Others parts	BRASS	NICKEL
-	-	-
-	-	-

PAGE 2/2	ISSUE 31-05-21H	SERIES SHV	PART NUMBER R317580000
----------	---------------------------	-------------------	-------------------------------

PACKAGING

Standard	Unit	Other
1	-	Contact us

ELECTRICAL CHARACTERISTICS

Impedance		50	Ω
Frequency		0-2	GHz
VSWR	1.2 +	0,3000	x F(GHz) Maxi
Insertion loss		NA	√F(GHz) dB Maxi
RF leakage	- (NA	- F(GHz) dB Maxi
Voltage rating		*	Veff Maxi
Dielectric withstanding voltage		10000	Veff mini
Insulation resistance		5000	MΩ mini

MECHANICAL CHARACTERISTICS

Center contact retention			
Axial force – Mating End		27	N mini
Axial force – Opposite end		27	N mini
Torque		NA	N.cm mini

Recommended torque			
Mating		NA	N.cm
Panel nut		250	N.cm

Mating life		500	Cycles mini
Nominal Weight (Add +15% for max weight)		20,0000	g

ENVIRONMENTAL

Operating temperature	-65/+165	°C
Hermetic seal	NA	Atm.cm3/s
Panel leakage	NA	

SPECIFICATION

OTHER CHARACTERISTICS

Assembly instruction:

Others:
***6000 V eff (DC)**
***3500 V rms (AC)**