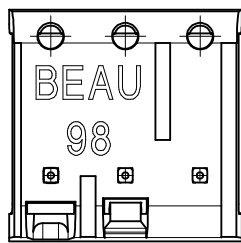
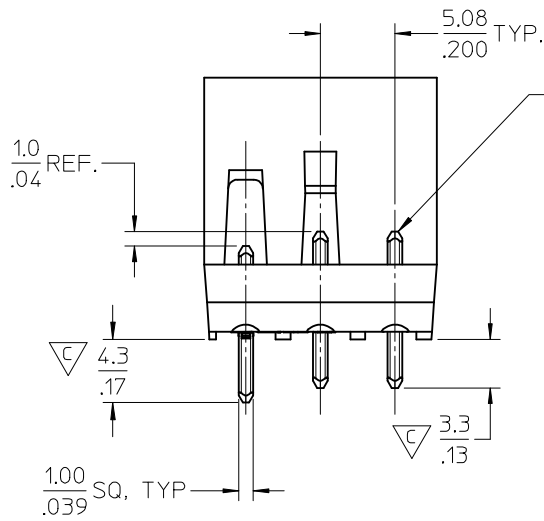
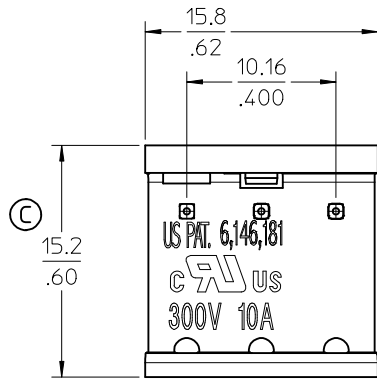
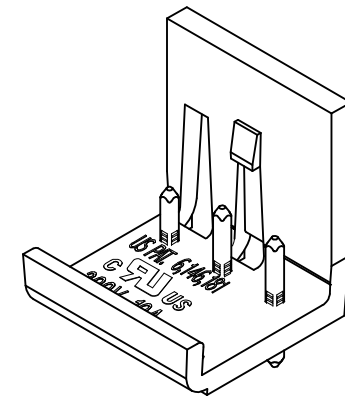


- NOTES:
1. MATERIAL: SEE TABLE
 2. FINISH: SEE TABLE
 3. ASSEMBLY IS RoHS COMPLIANT
 4. DIMS. SHOWN ARE FOR REFERENCE ONLY

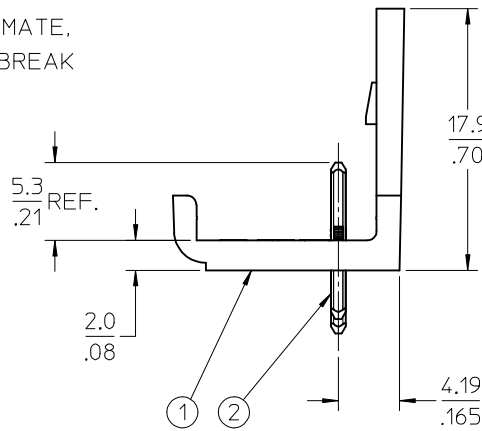


2	3	CONTACT, PIN, STRAIGHT	BRASS	TIN PLATE
1	1	INSULATOR, SR, 5.08MM	PA46 NYLON, GF	BLACK
ITEM	QTY.	DESCRIPTION	MATERIAL	FINISH

.60 WAS .62 PER FP1R EC NO: IFC2015-1045 DR: MURPHY 2014/12/01 CHK: B. ARDEN 2014/12/03 APPR: J. MURPHY 2014/12/03	QUALITY SYMBOLS	GENERAL TOLERANCES (UNLESS SPECIFIED)	DIMENSION STYLE	SCALE	DESIGN UNITS	THIRD ANGLE PROJECTION	
	▽=0 ▽=2	mm INCH	MM/IN	3:1	INCH		
		4 PLACES ± --- ± --- 3 PLACES ± --- ± .005 2 PLACES ± 0.13 ± .01 1 PLACE ± 0.25 ± ---	DRAWN BY DATE C. YORK 2006/04/21	CHECKED BY DATE R. DEROSS 2006/04/21	TITLE SINGLE ROW EUROSTYLE PCB HEADER, 5.08MM, SPCL 3/C		
		ANGULAR ± 2 °	APPROVED BY DATE R. DEROSS 2006/04/21	MATERIAL NO. 399890021			
	DRAFT WHERE APPLICABLE MUST REMAIN WITHIN DIMENSIONS	MATERIAL NO. 399890021		DOCUMENT NO. SD-39989-010	SHEET NO. 1 OF 1		
		THIS DRAWING CONTAINS INFORMATION THAT IS PROPRIETARY TO MOLEX INCORPORATED AND SHOULD NOT BE USED WITHOUT WRITTEN PERMISSION					



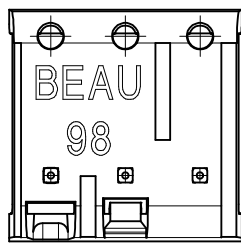
FIRST MATE,
LAST BREAK



NOTES:

1. MATERIAL: SEE TABLE
2. FINISH: SEE TABLE
3. ASSEMBLY IS RoHS COMPLIANT
4. DIMS. SHOWN ARE FOR REFERENCE ONLY

2	3	CONTACT, PIN, STRAIGHT	BRASS	TIN PLATE
1	1	INSULATOR, SR, 5.08MM	PA46 NYLON, GF	BLACK
ITEM	QTY.	DESCRIPTION	MATERIAL	FINISH



60 WAS .62 PER FPFR
 EC NO: IFC2015-1045
 DR: MHRSTONE 2014/12/01
 CHK: B ARDEN 2014/12/03
 APPR: J MURPHY 2014/12/03

QUALITY SYMBOLS
 ▼=0
 ▽=2

GENERAL TOLERANCES (UNLESS SPECIFIED)
 mm INCH
 4 PLACES ± --- ± ---
 3 PLACES ± --- ± .005
 2 PLACES ± 0.13 ± .01
 1 PLACE ± 0.25 ± ---
 ANGULAR ± 2 °
 DRAFT WHERE APPLICABLE
 MUST REMAIN WITHIN DIMENSIONS

DIMENSION STYLE
 MM/IN
 DRAWN BY DATE
 C. YORK 2006/04/21
 CHECKED BY DATE
 R. DEROSS 2006/04/21
 APPROVED BY DATE
 R. DEROSS 2006/04/21

SCALE 3:1
 DESIGN UNITS INCH
 THIRD ANGLE PROJECTION
 TITLE
 SINGLE ROW EUROSTYLE PCB HEADER, 5.08MM, SPCL 3/C
 MOLEX INCORPORATED
 MATERIAL NO. 399890021
 DOCUMENT NO. SD-39989-010
 SHEET NO. 1 OF 1