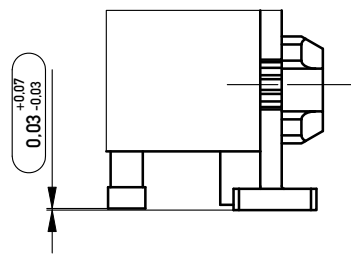
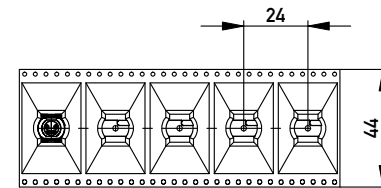
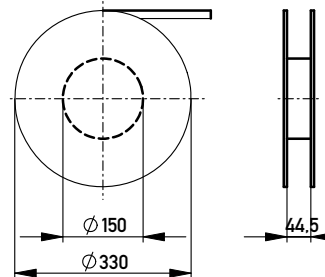


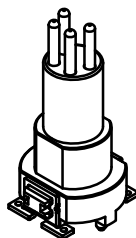
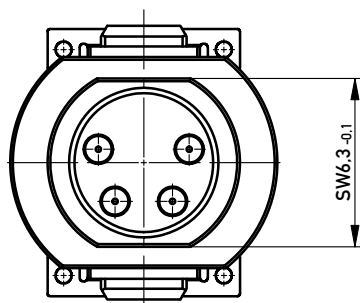
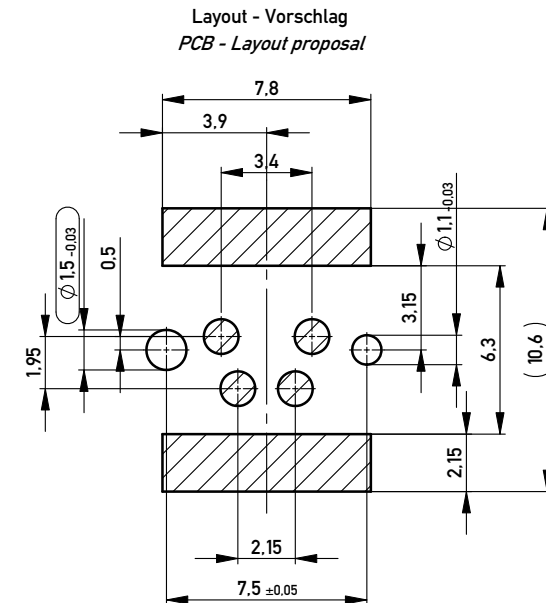
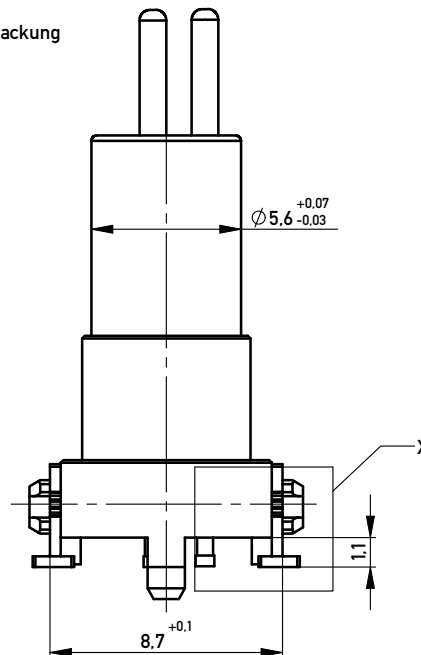
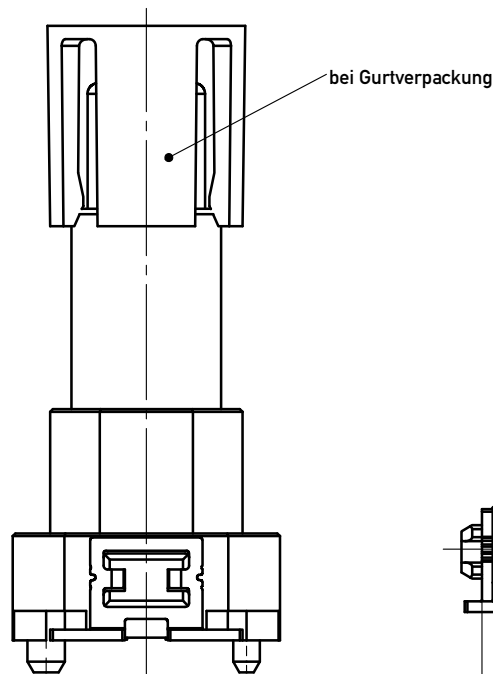
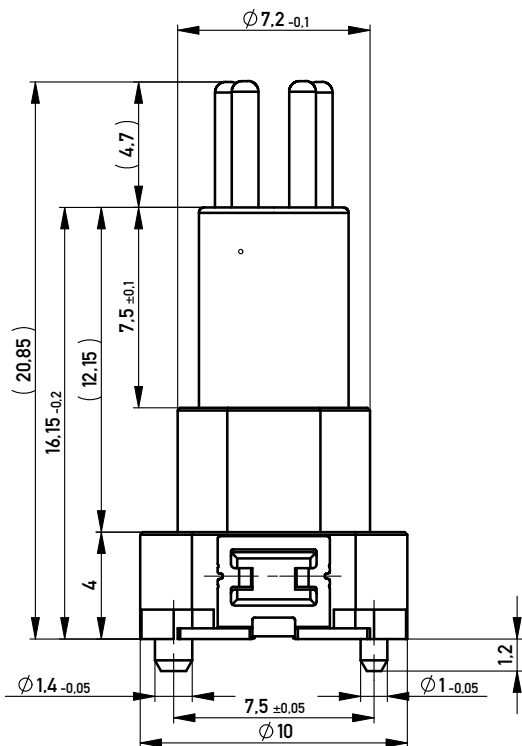
DETAIL X
M 10:1



Verpackt in Gurtverpackung - *Tape on Reel Packaging*
Verpackungseinheit: 80Stück - *Packaging unit: 80 pcs*



Abspulrichtung - *Reel off Direction*



Koplanarität aller Kontakte und Clip <= 0.1mm
Coplanarity of all contacts and clips <= 0.1mm

234235	M8, 4polig 16.25mm, SMD	Schüttgut / bulk
224152	M8, 4polig 16.25mm, SMD	Gurtverpackung / Tape on Reel Packaging
Ident-Nr.	Mass A	Bemerkung

Information:		Tolerances	Scale 5:1	
All rights reserved. Only for Information. To ensure that this is the latest version of this drawing, please contact one of the ERNI companies before using.		All Dimensions in mm	Designation	
			Messerleiste M8 4 polig 16.25mm SMD	
Subject to modification without prior notice. Drawing will not be updated.		www.ERNI.com	224813	
h	08.02.2011		Class M08	
Index	Date			A3

Copyright by ERNI GmbH. Proprietary notice pursuant to ISO 16016 to be observed.