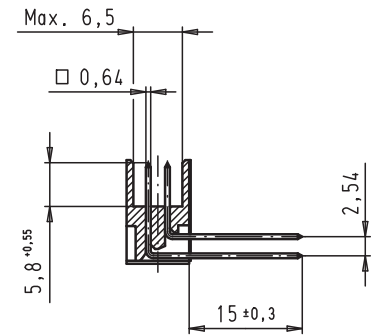
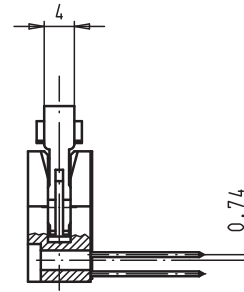
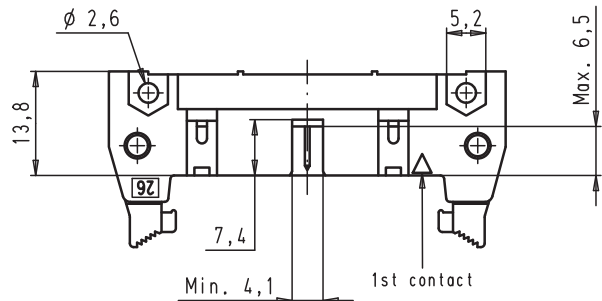
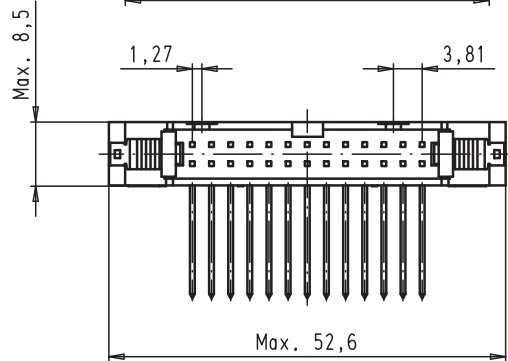
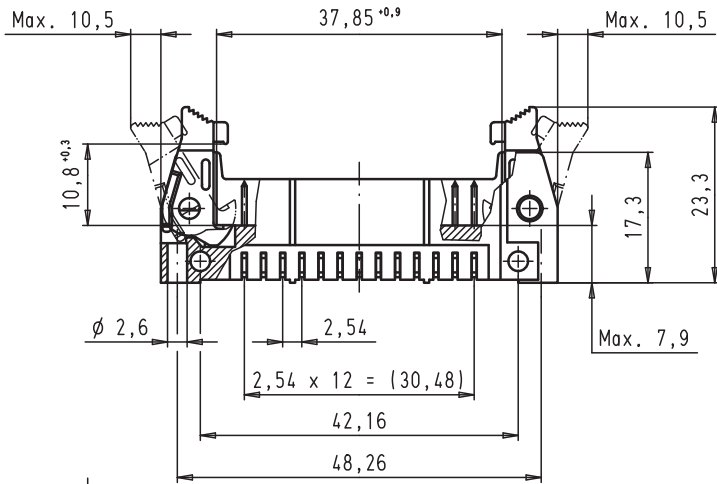




Alle Rechte vorbehalten. All rights reserved.



09 18 526 7916	3
09 18 526 6916	2
09 18 526 5916	0,76 μm Au
Part number	Performance level

				Dot.	Name	 All Dim. in mm Orig. Size DIN A 3	SEK 18 Male Connector Standard 26 poles Angled wrap posts Short locking levers	Maßstab/ Scale 1,5:1	
				Detail.	19/09/02				CV
				Insp.					
				Stand.					
34890	13/06/08	PK	HARTING EURL				TB 09 18 526 X916	Blatt/ Page 1 / 1	
31092	19/09/02	CV	F-95972 Paris						
Mod.	Dot.	Name	Sub.						