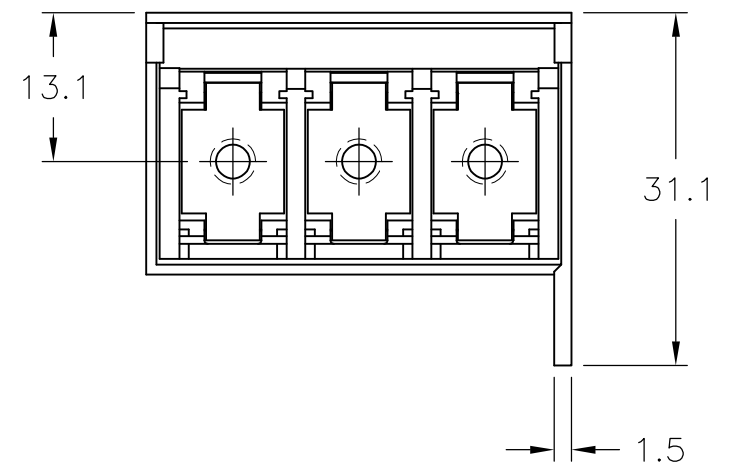


THIS DRAWING IS UNPUBLISHED. RELEASED FOR PUBLICATION
 © COPYRIGHT BY TYCO ELECTRONICS CORPORATION. ALL INTERNATIONAL RIGHTS RESERVED.

LOC	DIST	REVISIONS			
P	LTR	DESCRIPTION	DATE	DWN	APVD
	A4	REVISED PER ECO-09-025275	11NOV09	HMR	CR

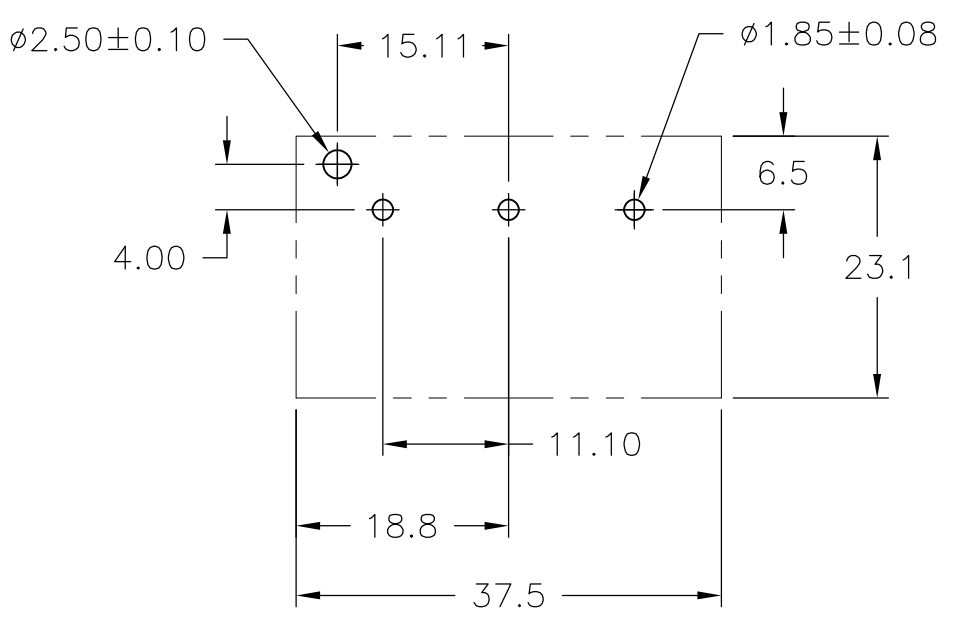
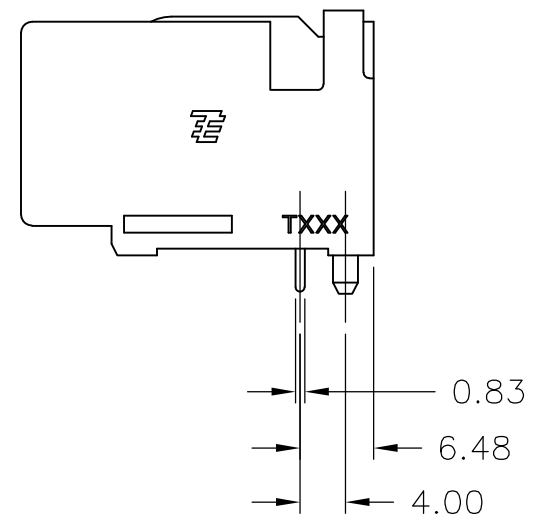
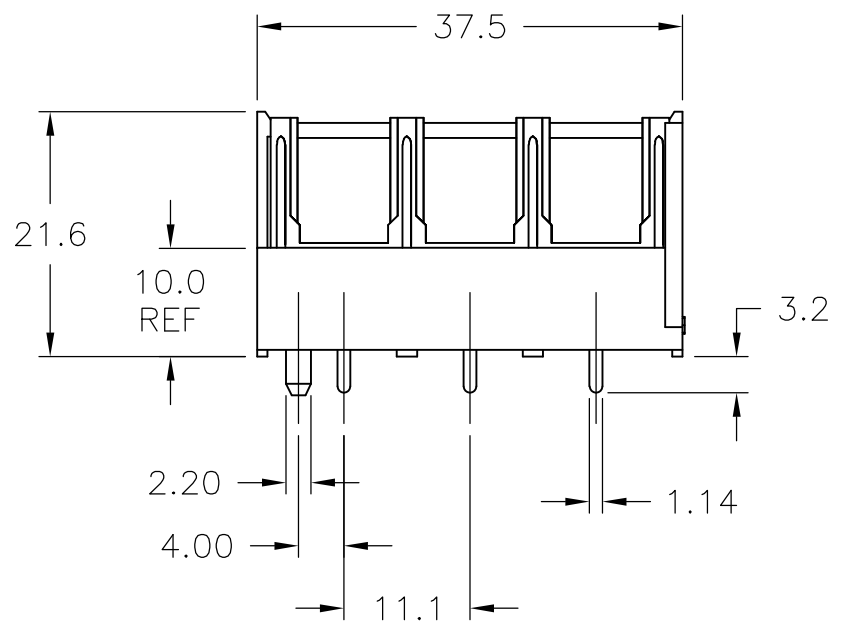


MATERIALS:
 HOUSING: THERMOPLASTIC, UL94V-0, BLACK.
 TERMINAL: BRIGHT TIN PLATED COPPER ALLOY.
 SCREWS: M4, STEEL, NICKEL PLATED.

ELECTRICAL:
 CURRENT RATING: 30A
 VOLTAGE RATING: 600V
 WIRE RANGE: 10-18 AWG (UL)
 10-22 AWG (CSA)

MECHANICAL:
 RECOMMENDED TORQUE: 20 IN-LB
 OPERATING TEMP.: -40°C TO +120°C

⚠ M4 THREAD IN TERMINAL, NO SCREWS INCLUDED.



RECOMMENDED PCB LAYOUT

NOTES	NO OF POS	CATALOG NUMBER	PART NUMBER
M4 TORX HEAD SCREW	3	8PCV-03-506-3	1546728-9
M4 TORX HEAD SCREW	3	8PCV-03-506-2	1546728-8
M4 COMBO SCREW HEAD	3	8PCV-03-506-1	1546728-7
NO SCREWS ⚠	3	8PCV-03-506	1546728-4

THIS DRAWING IS A CONTROLLED DOCUMENT.		DWN S SCHLEGEL 7/13/09	Tyco Electronics Corporation Harrisburg, PA 17105-3608	
DIMENSIONS: mm		CHK C RICHARD 7/13/09		
TOLERANCES UNLESS OTHERWISE SPECIFIED:		APVD C RICHARD 7/13/09	NAME 8PCV-XX-006 ASSEMBLY W/ SOLDER GUARD	
0 PLC ± - 1 PLC ± .3 2 PLC ± .25 3 PLC ± - 4 PLC ± - ANGLES ± 2°		PRODUCT SPEC -	RESTRICTED TO -	
MATERIAL -		FINISH -	APPLICATION SPEC -	SIZE A3
		WEIGHT -	CAGE CODE 00779	DRAWING NO C-1546728-4
CUSTOMER DRAWING			SCALE NTS	SHEET 1 OF 2
			REV A4	

4

3

2

1

THIS DRAWING IS UNPUBLISHED.

RELEASED FOR PUBLICATION

LOC

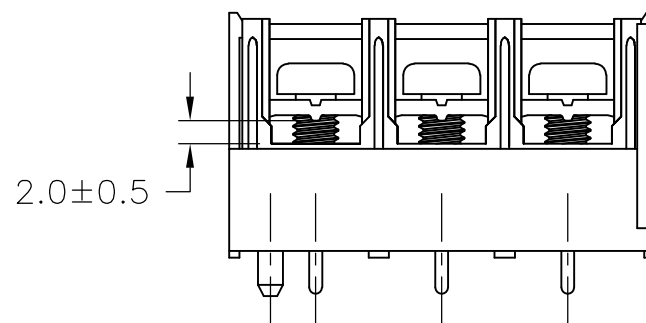
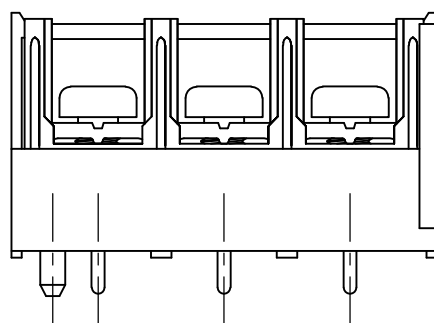
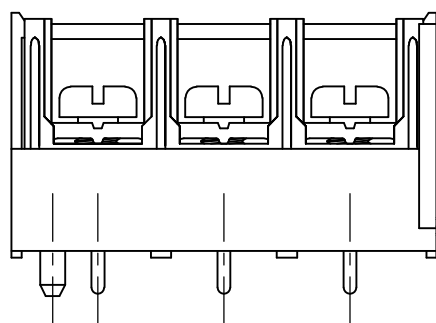
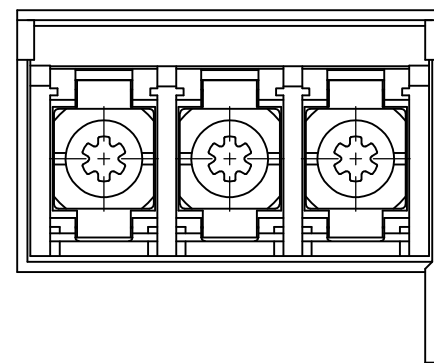
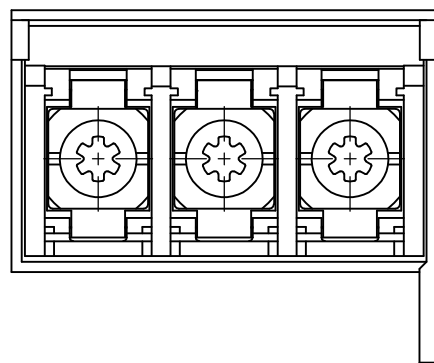
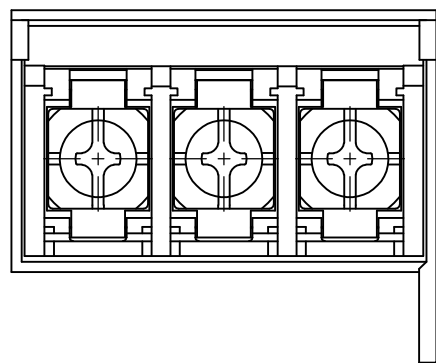
DIST

REVISIONS

© COPYRIGHT - BY TYCO ELECTRONICS CORPORATION.

ALL INTERNATIONAL RIGHTS RESERVED.

P	LTR	DESCRIPTION	DATE	DWN	APVD
-	-	SEE SHEET 1	-	-	-



1546728-7

1546728-8

1546728-9

2.0±0.5

THIS DRAWING IS A CONTROLLED DOCUMENT.

DIMENSIONS:	TOLERANCES UNLESS OTHERWISE SPECIFIED:
mm	
	0 PLC ± -
	1 PLC ± .3
	2 PLC ± .25
	3 PLC ± -
	4 PLC ± -
	ANGLES ± 2'

MATERIAL - FINISH -

DWN S SCHLEGEL 7/13/09

CHK C RICHARD 7/13/09

APVD C RICHARD 7/13/09

PRODUCT SPEC -

APPLICATION SPEC -

WEIGHT -

CUSTOMER DRAWING

Tyco Electronics Tyco Electronics Corporation
 Harrisburg, PA 17105-3608

NAME 8PCV-XX-006 ASSEMBLY W/ SOLDER GUARD

SIZE	CAGE CODE	DRAWING NO	RESTRICTED TO
A3	00779	C-1546728-4	-

SCALE	SHEET	REV
NTS	2 OF 2	A4