

EXAMPLE FOR CABLE PRINTING:  
 Molex Connectivity GmbH [15mm] Material-No. from table 1 [8mm] Prod.Date [8mm] Cable length

**DESCRIPTION:**  
 M12 HYBRID CORDSET APPLICATIONS  
 TRANSMISSION AFTER CAT5e (SIGNAL CONTACTS ONLY)  
 SPECIAL CODING

**ELECTRICAL DATA:**  
 SIGNAL: 4 POLES  
 MAX. VOLTAGE: 30V  
 MAX. CURRENT: 1.5A at 55°C  
 CONTACT RESISTANCE: <5 mOhm  
 INSULATION WITHSTAND: >100 MOhm  
 IMPEDANCE: 100 Ohm  
 HF PERFORMANCE TESTINGS: LIMITS CLASS D/CAT5e,  
 ACCORDING ISO IEC 11801/TIA-568-C.2 "PERMANENT LINK"

**POWER:**  
 MAX. VOLTAGE: 30V  
 MAX. CURRENT: 6A at 55°C  
 CONTACT RESISTANCE: <5 mOhm  
 INSULATION WITHSTAND: >100 MOhm

**ENVIRONMENTAL:**  
 PROTECTION: IP67  
 TEMPERATURE RANGE: -25°C to 75°C

**PACKAGING:**  
 THE CORDSET IS PACKED AND SHIPPED OUT IN A CARDBOARD BOX

- 1 - POWER 0V
- 2 - POWER 0V Last
- 3 - POWER 24V Last
- 4 - POWER 24V
- 5 - SIGNAL TX+
- 6 - SIGNAL RX-
- 7 - SIGNAL TX-
- 8 - SIGNAL RX+
- SHIELDING / GND

CUSTOMER PRODUCT APPROVAL  
 APPROVED BY: \_\_\_\_\_  
 DATE: \_\_\_\_\_  
 MUST BE SIGNED AND RETURNED BEFORE  
 PRODUCTION WILL BEGIN

**WIRING DIAGRAM, CONNECTION: INLINE**

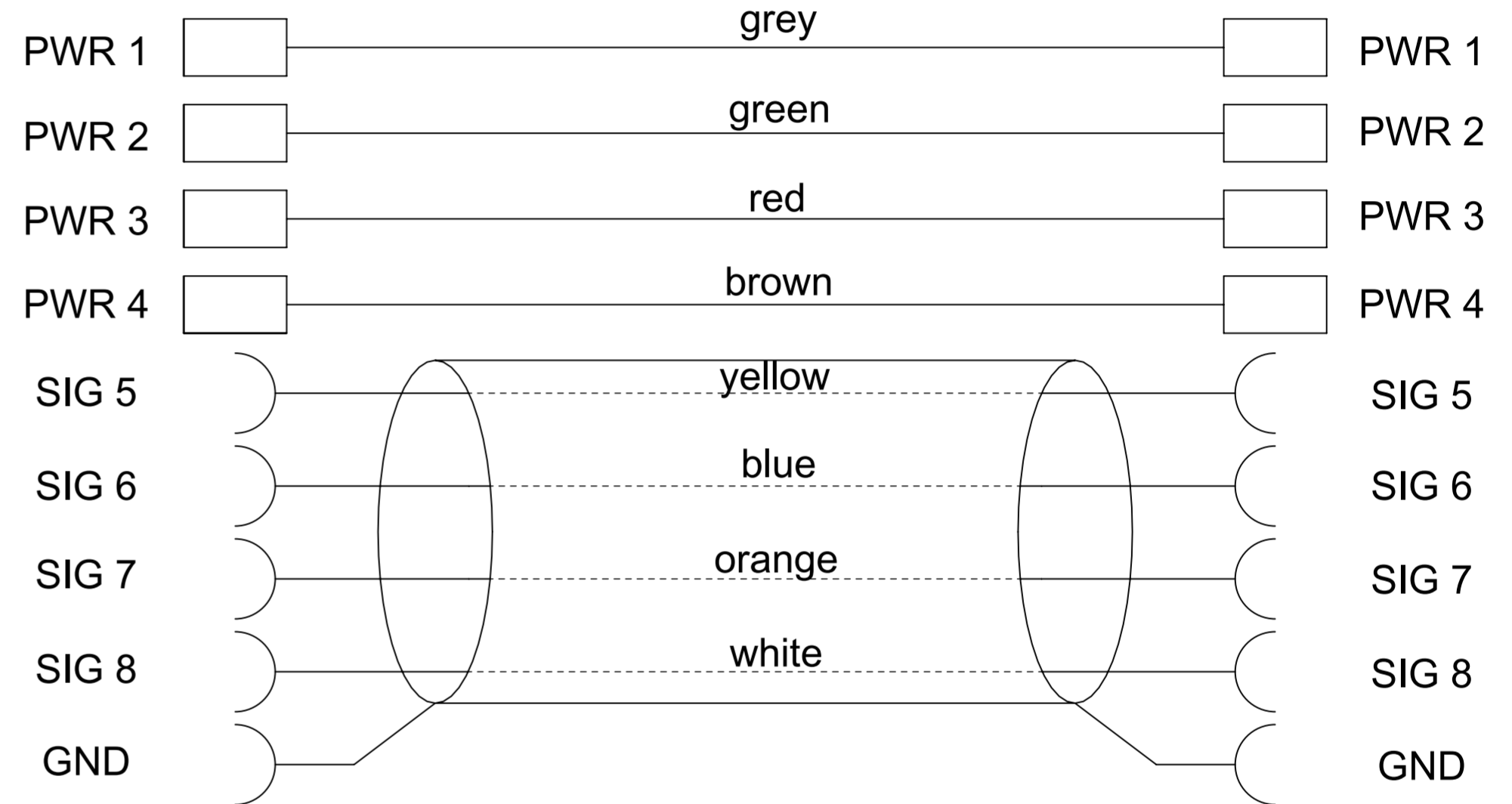
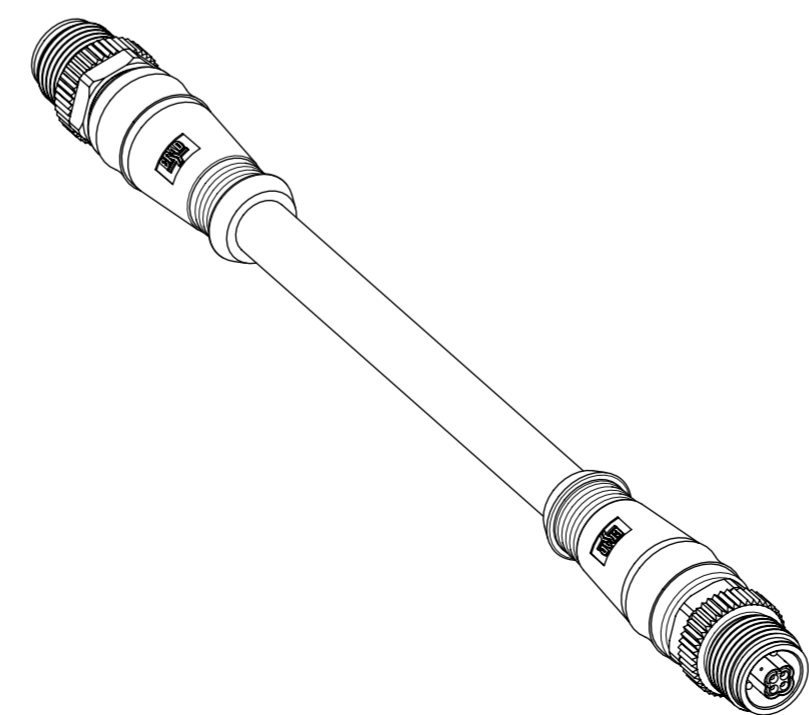


TABLE 1

| MOLEX P/N  | Description                               | Length / mm | Tolerance |
|------------|---|-------------|-----------|
| 1202440200 | CSE M12 CHT 8P 4+4P MAFE STR PUR 0,25M DE | 250         | ±10       |
| 1202440201 | CSE M12 CHT 8P 4+4P MAFE STR PUR 0,5M DE  | 500         | ±10       |
| 1202440202 | CSE M12 CHT 8P 4+4P MAFE STR PUR 1M DE    | 1000        | +30/-10   |
| 1202440203 | CSE M12 CHT 8P 4+4P MAFE STR PUR 1,5M DE  | 1500        | ±25       |
| 1202440204 | CSE M12 CHT 8P 4+4P MAFE STR PUR 2M DE    | 2000        | ±25       |
| 1202440205 | CSE M12 CHT 8P 4+4P MAFE STR PUR 5M DE    | 5000        | ±25       |
| 1202440206 | CSE M12 CHT 8P 4+4P MAFE STR PUR 8M DE    | 8000        | ±30       |
| 1202440207 | CSE M12 CHT 8P 4+4P MAFE STR PUR 10M DE   | 10000       | ±30       |
| 1202440208 | CSE M12 CHT 8P 4+4P MAFE STR PUR 15M DE   | 15000       | ±30       |

**BOM**

| Quantity | Descriptions                                   |
|----------|--|
| 2        | INSERT M12 MA 8P 0C CSE PUR BK SHLD            |
| 2        | INSERT M12 FE 4P 0C CSE NIL BK SHLD            |
| 8        | CONTACT 6 FE TUR NI CR WRA 0.14-0.25           |
| 8        | CONTACT M12 MA NI2AU0.8 F075                   |
| 2        | SHELL M12 FE BRASS NI REC M12                  |
| 2        | SHELL M12 FE BRASS NI REC M12                  |
| 2        | SHELL M12 MF PP L6,5 CORDSET M12               |
| 2        | NUT M12 BRASS NI MA HEX                        |
| 1        | CABLE 4AWG19+2X2XAWG26 PUR GY D8 UL SH DYN     |
| 2        | Overmolding UL M12 straight-9.2mm              |
| 2        | Copper tape tinned 10x20mm / PAGE 3 / DETAIL R |



|  |   |  |                                 |              |
|--|---|--|---------------------------------|--------------|
| FUNCTIONAL SYMBOLS<br>FA=0<br>FC=1<br>FP=0 | THIS DRAWING CONTAINS INFORMATION THAT IS PROPRIETARY TO MOLEX ELECTRONIC TECHNOLOGIES, LLC AND SHOULD NOT BE USED WITHOUT WRITTEN PERMISSION |  | CURRENT REV DESC: UPDATED NOTES |              |
|  | DIMENSION UNITS   | SCALE  | EC NO: 736317                   |              |
|  | mm  | 1:1  | DRWN: ARPITT 2023/01/26         |              |
|  | GENERAL TOLERANCES (UNLESS SPECIFIED)   |  | CHK'D: RSILLER 2023/01/26       |              |
| ANGULAR TOL ± °                            |   | APPR: RSILLER 2023/01/26                             |                                 |              |
| 4 PLACES ±                                 |   | INITIAL REVISION:                                    |                                 |              |
| 3 PLACES ±                                 |   | DRWN: RSCHIEBER 2020/07/15                           |                                 |              |
| 2 PLACES ± 0.05                            |   | APPR: RSILLER 2020/08/24                             |                                 |              |
| 1 PLACE ± 0.1                              |   | DRAFT WHERE APPLICABLE MUST REMAIN WITHIN DIMENSIONS |                                 |              |
| 0 PLACES ±                                 |   | THIRD ANGLE PROJECTION                               | DRAWING                         | SERIES       |
|  |   |  | A2-SIZE                         | 120244       |
|  |   | MATERIAL NUMBER                                      | CUSTOMER                        | SHEET NUMBER |
|  |   | SEE TABLE 1  | GENERAL MARKET                  | 1 OF 1       |

**molex**

CSE M12 CHT 8P 4+4P MAFE STR PUR XM DE

PRODUCT CUSTOMER DRAWING

DOCUMENT NUMBER: 1202440200  
 DOC TYPE: PSD  
 DOC PART: 000  
 REVISION: A2