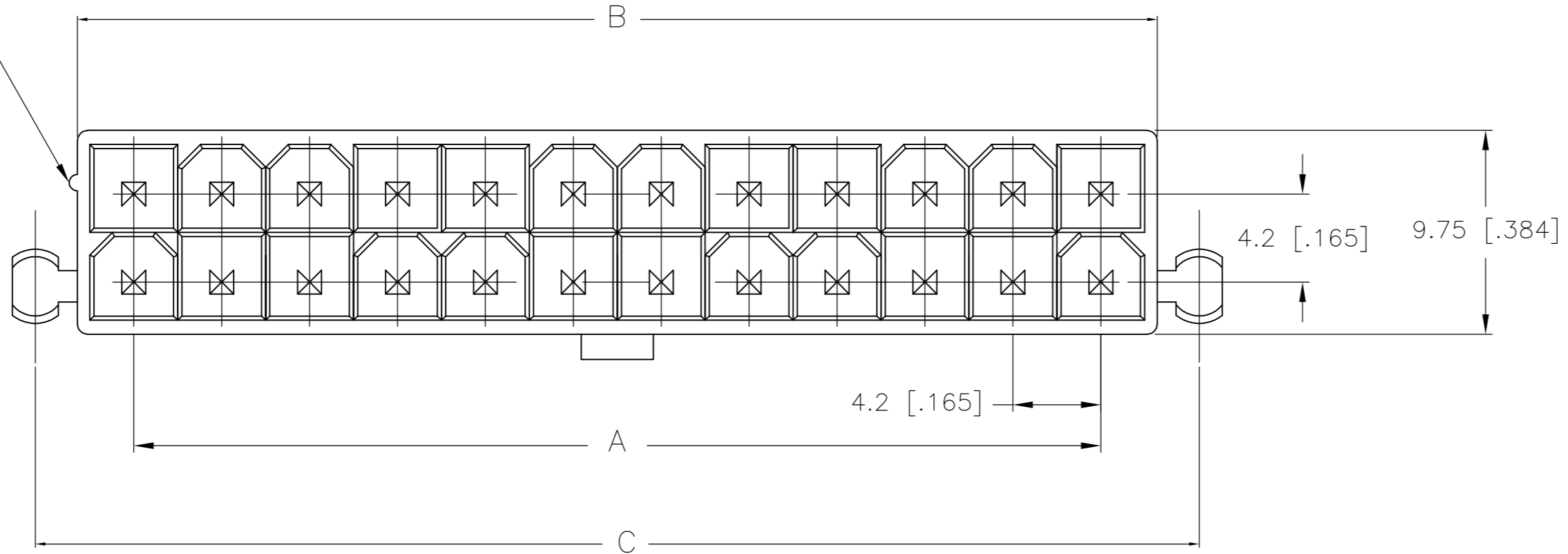


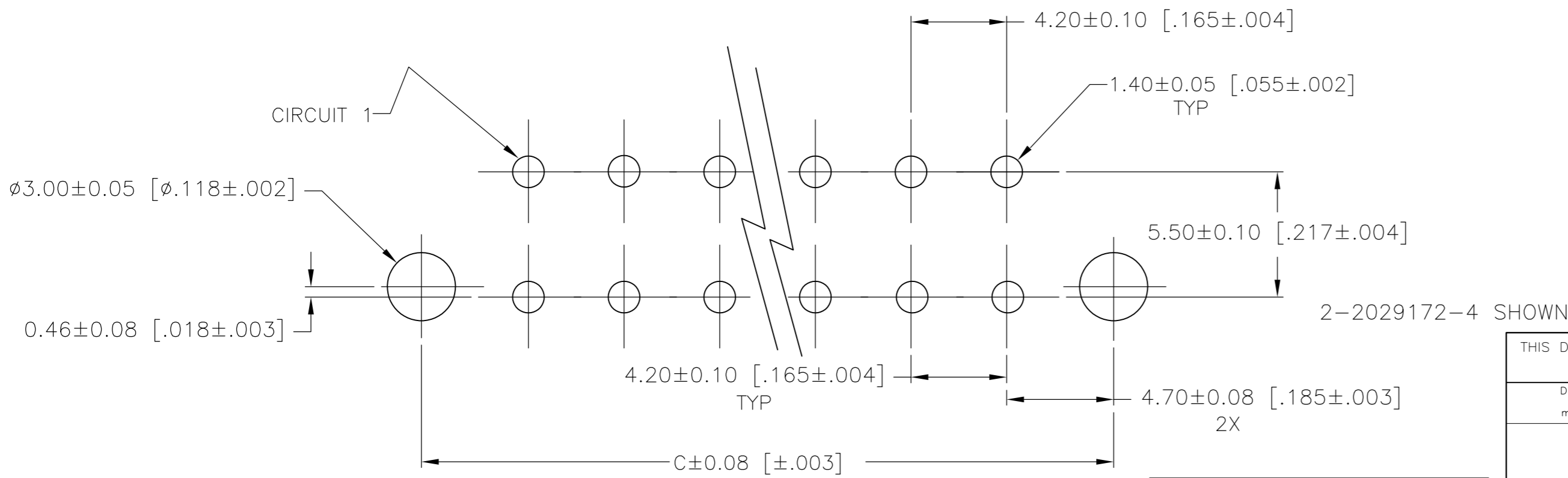
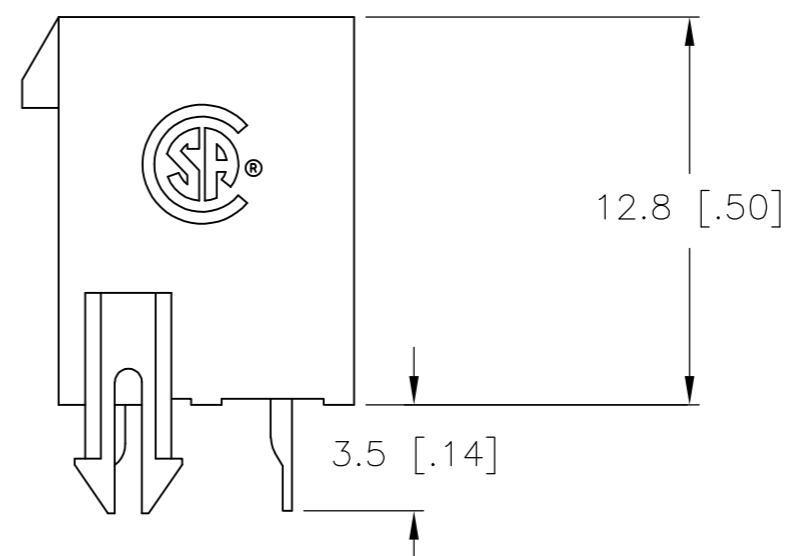
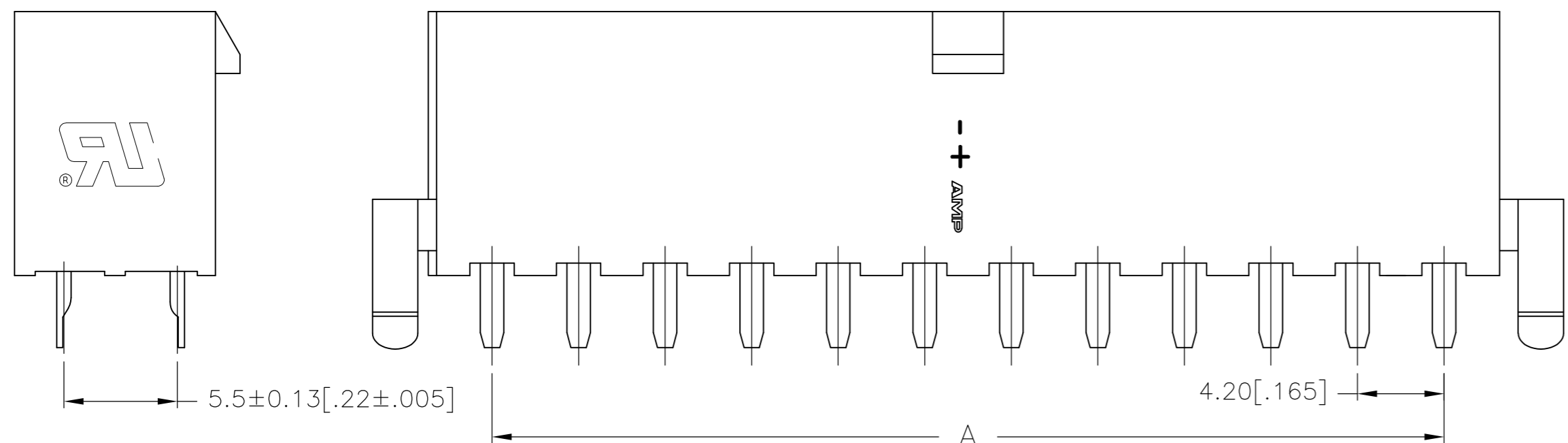
THIS DRAWING IS UNPUBLISHED. RELEASED FOR PUBLICATION  
 © COPYRIGHT BY TYCO ELECTRONICS CORPORATION. ALL RIGHTS RESERVED.

| LOC | DIST | REVISIONS   |          |           |       |
|-----|------|-------------|----------|-----------|-------|
| P   | LTR  | DESCRIPTION | DATE     | DWN       | APVD  |
| CM  | 00   | A           | WR-08-41 | 28AUG2008 | KW CC |

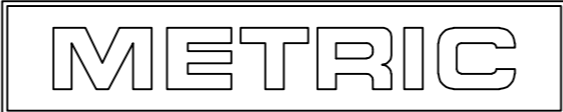
POSITION 1  
IDENTIFICATION  
FEATURE



1 MATERIAL: HOUSING: NYLON, UL94V-2  
CONTACTS: BRASS, TIN-PLATED



PCB LAYOUT: COMPONENT SIDE  
RECOMMENDED BOARD THICKNESS 1.78 [.070]



|     |                      |             |              |             |
|-----|----------------------|-------------|--------------|-------------|
| 24  | 46.2±0.25 [1.82±.01] | 51.6 [2.03] | 55.6 [2.19]  | 2-2029172-4 |
| 22  | 42.0±0.25 [1.65±.01] | 47.4 [1.87] | 51.4 [2.02]  | 2-2029172-2 |
| 20  | 37.8±0.25 [1.49±.01] | 43.2 [1.70] | 47.2 [1.86]  | 2-2029172-0 |
| 18  | 33.6±0.25 [1.32±.01] | 39.0 [1.54] | 43.0 [1.69]  | 1-2029172-8 |
| 16  | 29.4±0.25 [1.16±.01] | 34.8 [1.37] | 38.8 [1.53]  | 1-2029172-6 |
| 14  | 25.2±0.25 [.99±.01]  | 30.6 [1.21] | 34.6 [1.36]  | 1-2029172-4 |
| 12  | 21.0±0.25 [.83±.01]  | 26.4 [1.04] | 30.4 [1.20]  | 1-2029172-2 |
| 10  | 16.8±0.13 [.66±.005] | 22.2 [.87]  | 26.2 [1.03]  | 1-2029172-0 |
| 8   | 12.6±0.13 [.50±.005] | 18.0 [.71]  | 22.0 [.87]   | 2029172-8   |
| 6   | 8.4±0.13 [.33±.005]  | 13.8 [.54]  | 17.8 [.70]   | 2029172-6   |
| 4   | 4.2±0.13 [.17±.005]  | 9.6 [.38]   | 13.6 [.54]   | 2029172-4   |
| 2   | -                    | 5.4 [.21]   | 9.4 [.37]    | 2029172-2   |
| POS | A                    | B±0.25[.01] | C±0.38[.015] | PART NUMBER |

THIS DRAWING IS A CONTROLLED DOCUMENT.

|                            |   |  |   |
|----------------------------|---|--|---|
| DIMENSIONS:<br>mm [INCHES] | TOLERANCES UNLESS OTHERWISE SPECIFIED:<br>0 PLC ±<br>1 PLC ± 0.13 [.005]<br>2 PLC ± 0.25 [.010]<br>3 PLC ±<br>4 PLC ±<br>ANGLES ±<br>FINISH ± | DWN<br>K. WHITAKER<br>28AUG2008<br>CHK<br>C. CASH<br>28AUG2008<br>APVD<br>C. CASH<br>28AUG2008<br>PRODUCT SPEC<br>APPLICATION SPEC | Tyco Electronics Corporation<br>Harrisburg, PA 17105-3608 |
| MATERIAL<br>1              | WEIGHT  | NAME<br>VERTICAL HEADER, WITH PEGS,<br>WITHOUT DRAIN HOLES, 94V-2,<br>VAL-U-LOK(TM)  | RESTRICTED TO   |
| CUSTOMER DRAWING           | SCALE 10:1  | SIZE A2<br>CAGE CODE 00779<br>DRAWING NO C=2029172   | SHEET 1 OF 1<br>REV A                                     |