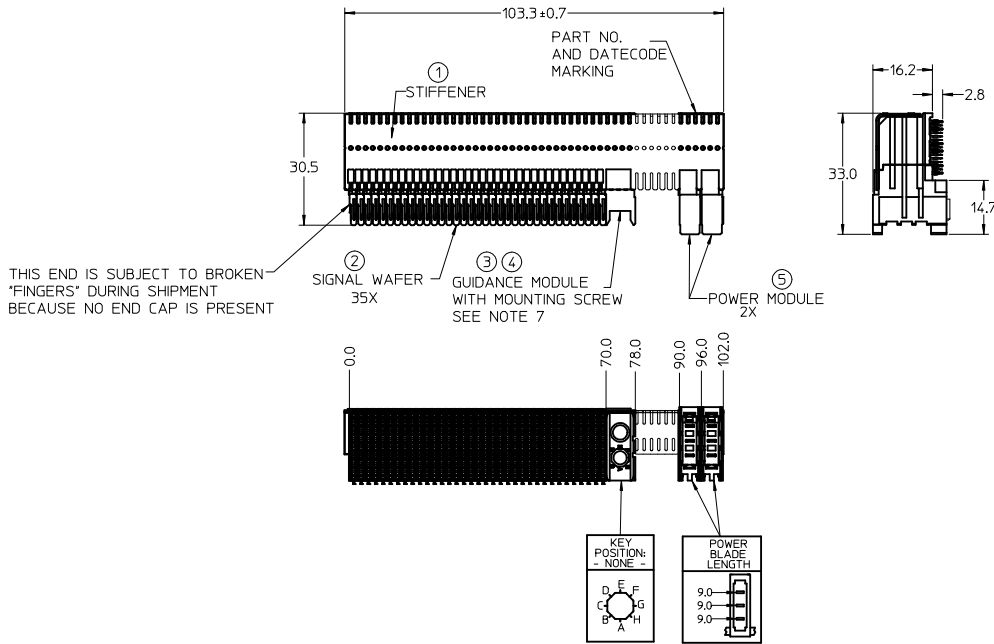


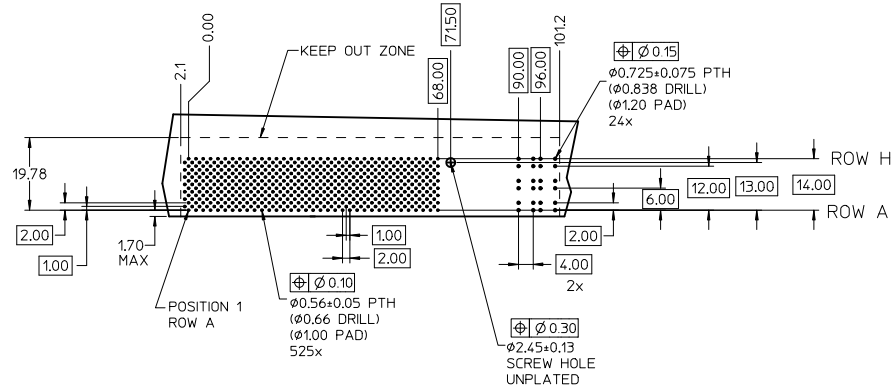
CUSTOMER: JUNIPER

NOTES: (UNLESS OTHERWISE SPECIFIED)

1. MATERIALS: HOUSING - LIQUID CRYSTAL POLYMER (LCP), GLASS-FILLED, UL94V-0, BLACK.  
TERMINALS - HIGH PERFORMANCE COPPER ALLOY.  
STIFFENER - STAINLESS STEEL.
2. FINISH: SELECTIVE GOLD (Au) 0.76 micrometer MINIMUM IN CONTACT AREA, SELECTIVE MATTE TIN (Sn) ON PCB TAILS, NICKEL (Ni) OVERALL.
3. REFER TO MOLEX PRODUCT SPECIFICATION PS-74031-999 FOR PERFORMANCE SPECIFICATIONS.
4. REFER TO MOLEX DOCUMENT SD-74041-002 FOR ADDITIONAL DETAIL ON THE SIGNAL WAFER.
5. REFER TO MOLEX DOCUMENT SD-75885-002 FOR ADDITIONAL DETAIL ON THE POWER MODULE.
6. REFER TO MOLEX DOCUMENT SD-74037-006 FOR ADDITIONAL DETAIL ON THE GUIDANCE MODULE.
7. MOUNTING SCREWS WILL BE BAGGED WITH EACH CONNECTOR.
8. PARTS ARE PACKAGED IN TUBES PER PK-70873-5041.



LEAD-FREE  
PLATING



ITEM	PART NUMBER	DESCRIPTION	QTY
1	74046-0103	STIFFENER	1
2	74041-1001	SIGNAL WAFER, LF	35
3	74037-0008	GUIDANCE MODULE	1
4	73726-0000	GUIDE MOUNTING SCREW	1
5	75885-8222	POWER MODULE, LF	2

DAUGHTERCARD HOLE PATTERN  
(CONNECTOR SIDE)

<b>CHG TO LEAD-FREE</b> EC NO: UCP2012-2179 DRAWN BY: JONIAK CHECKED BY: JLAURX APPROVED BY: SMILLER DATE: 2012/01/13 DATE: 2012/01/13 DATE: 2012/02/09	QUALITY SYMBOLS	GENERAL TOLERANCES (UNLESS SPECIFIED)	DIMENSION STYLE	SCALE	DESIGN UNITS	THIRD ANGLE PROJECTION
	$\nabla=0$ $\nabla=0$ $\nabla=0$	mm INCH 4 PLACES ± --- ± --- 3 PLACES ± --- ± --- 2 PLACES ± 0.25 ± --- 1 PLACE ± 0.38 ± --- ANGULAR ±1/2°	MM ONLY	2:1	METRIC	
	DRAFT WHERE APPLICABLE MUST REMAIN WITHIN DIMENSIONS	MATERIAL NO.	DOCUMENT NO.	TITLE: VHDM 8 ROW, LF DAUGHTERCARD SALES DRAWING MOLEX INCORPORATED		
		74040-0950	SD-74040-950	SHEET NO. 1 OF 1		