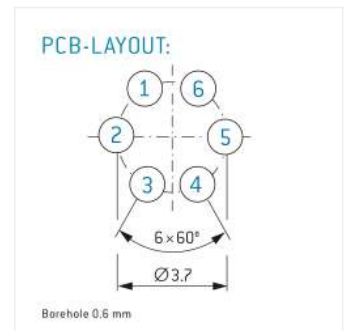
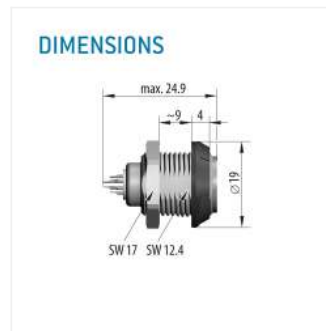
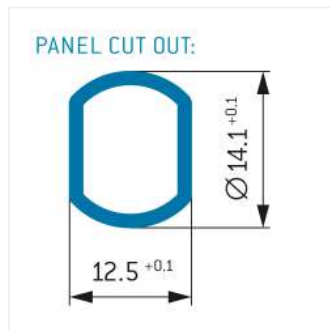


**General information**

Part number	G51MH7-P06QF00-0060
Termination	pcb
Size	1
Locking principle	break , push
Coding	h_key_medi



**Contact insert description**

Number of contacts	6
Contact type	sockets
Contact diameter	07mm
Insulator material	peek
Termination	pcb
Termination diameter	05mm

reverse\_gender\_on\_request

**Technical information**

Max. creepage and air clearance distance	085 mm	
Nominal current single contact	06_a	iec_60512_5_2
Nominal current insert	4,5 A	vde_0298_4
Test voltage	16 kv_dc	sae_13441

safety\_text

**Mechanical and environmental data**

Degree of protection*	ip50
Operating temperature	50_120_c
Mating cycles	5000

mated\_unmated

**Insulator materials MEDI-SNAP®**

psu\_peek

**Material and surface treatments**

<b>Housing</b>	psu_gray
<b>Color option</b>	blue
<b>Contact</b>	cu_alloy_gold

safety\_text\_2

ul\_text

illustrative\_text