

- 注記 :
NOTES :
- ① 材料及び仕上げ(めっき仕様) : TABLE 1, TABLE2 参照
MATERIAL AND FINISHES (PLATING SPECIFICATION) : SEE TABLE 1, TABLE2.
 - ② 製品仕様書、コネクタ取扱説明書、適合嵌合相手、適合リテーナーはSHEET 5を
ご参照下さい。
PLEASE REFER TO SHEET 5 FOR PRODUCT SPECIFICATION,
APPLICATION SPECIFICATION, MATE WITH AND APPLICABLE RETAINER.
 - ③ 端子テール部 及び ネイルの平坦度 : 0.1 MAXIMUM
TAIL AND NAIL COPLANARITY TO BE 0.1 MAXIMUM
 - ④ 偶数極に適合
APPLY TO EVEN CIRCUIT
 - ⑤ 発注番号 : SHEET 5 参照
ORDER NUMBER : PLEASE REFER TO SHEET 5

505568**7*

極数
CIRCUIT SIZE

| 番号 NO. | ハウジングカラー HOUSING COLOR |
|-----------|-------------------------------|
| 0 | ナチュラル(ベージュ) NATURAL(BEIGE) |
| 1 | 黒 BLACK |
| 2 | 赤 RED |
| 3 | 黄 YELLOW |
| 4 | 青 BLUE |
| 6 | 緑 GREEN |
| 8 | 橙 ORANGE |

| | | | |
|-------|-------|-------|--------------------|
| 22.2 | 18.75 | 23.25 | 16 |
| 20.95 | 17.5 | 22 | 15 |
| 19.7 | 16.25 | 20.75 | 14 |
| 18.45 | 15 | 19.5 | 13 |
| 17.2 | 13.75 | 18.25 | 12 |
| 15.95 | 12.5 | 17 | 11 |
| 14.7 | 11.25 | 15.75 | 10 |
| 13.45 | 10 | 14.5 | 9 |
| 12.2 | 8.75 | 13.25 | 8 |
| 10.95 | 7.5 | 12 | 7 |
| 9.7 | 6.25 | 10.75 | 6 |
| 8.45 | 5 | 9.5 | 5 |
| 7.2 | 3.75 | 8.25 | 4 |
| 5.95 | 2.5 | 7 | 3 |
| 4.7 | 1.25 | 5.75 | 2 |
| C | B | A | 極数 CIRCUIT SIZE |

奇数キャビティ : キャビティ番号及び金型番号
偶数キャビティ : トレードマーク
ODD CAVITY:CAVITY AND MOLD NO.
EVEN CAVITY:TRADE MARK

奇数キャビティ : トレードマーク
偶数キャビティ : キャビティ番号及び金型番号
ODD CAVITY:TRADE MARK
EVEN CAVITY:CAVITY AND MOLD NO.

① TABLE 1

| 番号 NO. | 部品 PART | 材質 MATERIAL |
|-----------|----------------------|--------------------------------------------------------------------------------------------------------------------------------------|
| ① | ハウジング HOUSING | ポリアミド(PA), ガラス充填, UL94 V-0, 色 : SHEET 5参照 POLYAMIDE (PA), GLASS FILLED, UL94 V-0, COLOR : SEE SHEET 5 |
| ② | ターミナル TERMINAL | 黄銅 BRASS |
| | | 錫ビスマスめっき : 1.0 MICROMETER MINIMUM TIN-BISMUTH PLATING ニッケルめっき(下地全面) : 1.0 MICROMETER MINIMUM NICKEL (UNDER-PLATING OVERALL) |
| ③ | ネイル NAIL | 黄銅 BRASS |
| | | 錫めっき : 1.0 MICROMETER MINIMUM MATTE TIN PLATING ニッケルめっき(下地全面) : 1.0 MICROMETER MINIMUM NICKEL (UNDER-PLATING OVERALL) |
| ④ | カバーテープ COVER TAPE | ポリイミド POLYIMIDE |

THIS DRAWING CONTAINS INFORMATION THAT IS PROPRIETARY TO MOLEX ELECTRONIC TECHNOLOGIES, LLC AND SHOULD NOT BE USED WITHOUT WRITTEN PERMISSION

| DIMENSION UNITS | SCALE | CURRENT REV DESC. |
|------------------------------------------------------|---------|------------------------------|
| mm | NTS | |
| GENERAL TOLERANCES (UNLESS SPECIFIED) | | |
| ANGULAR TOL | ± 3.0 ° | |
| 4 PLACES | ± 0.2 | EC NO: 736271 |
| 3 PLACES | ± 0.2 | DRWN: SOKUMURA01 2022/12/27 |
| 2 PLACES | ± 0.2 | CHK'D: SAKIYAMA 2023/02/16 |
| 1 PLACE | ± 0.2 | APPR: AIDA 2023/02/16 |
| 0 PLACES | ± 0.2 | INITIAL REVISION: |
| | | DRWN: RWATANABE01 2017/08/28 |
| | | APPR: TKANEKO 2017/09/26 |
| DRAFT WHERE APPLICABLE MUST REMAIN WITHIN DIMENSIONS | | THIRD ANGLE PROJECTION |
| DRAWING | | SERIES |
| A3-SIZE | 505568 | MATERIAL NUMBER |
| CUSTOMER | | SHEET NUMBER |
| SEE SHEET 5 | | GENERAL |
| DOCUMENT NUMBER | | DOC TYPE |
| 5055680000-SD | | PSD |
| DOC PART | | REVISION |
| 000 | | D |

molex

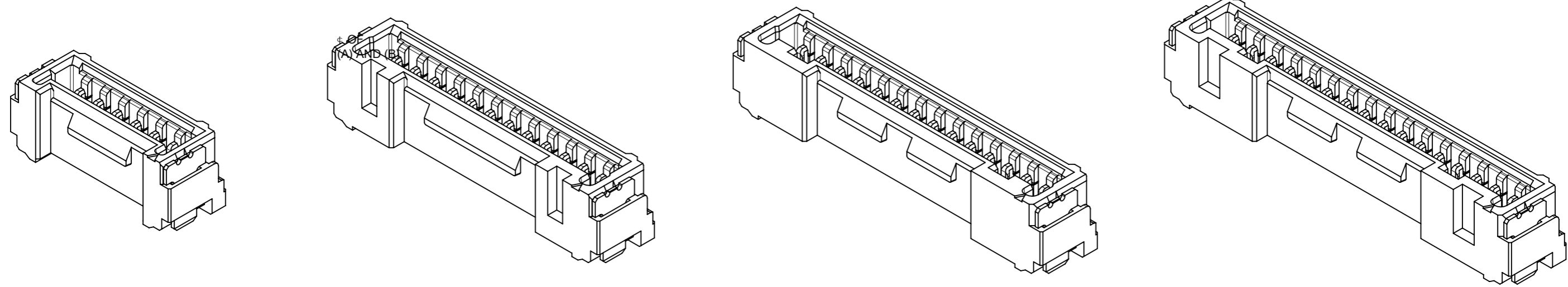
MICRO-LOCK PLUS 1.25 W/B
SINGLE ROW VERTICAL SMT PLUG ASSEMBLY
TIN-BISMUTH PLATING

PRODUCT CUSTOMER DRAWING

DOCUMENT NUMBER: 5055680000-SD
DOC TYPE: PSD
DOC PART: 000
REVISION: D

SEE SHEET 5 GENERAL 1 OF 5

製品形状
PRODUCT SHAPE



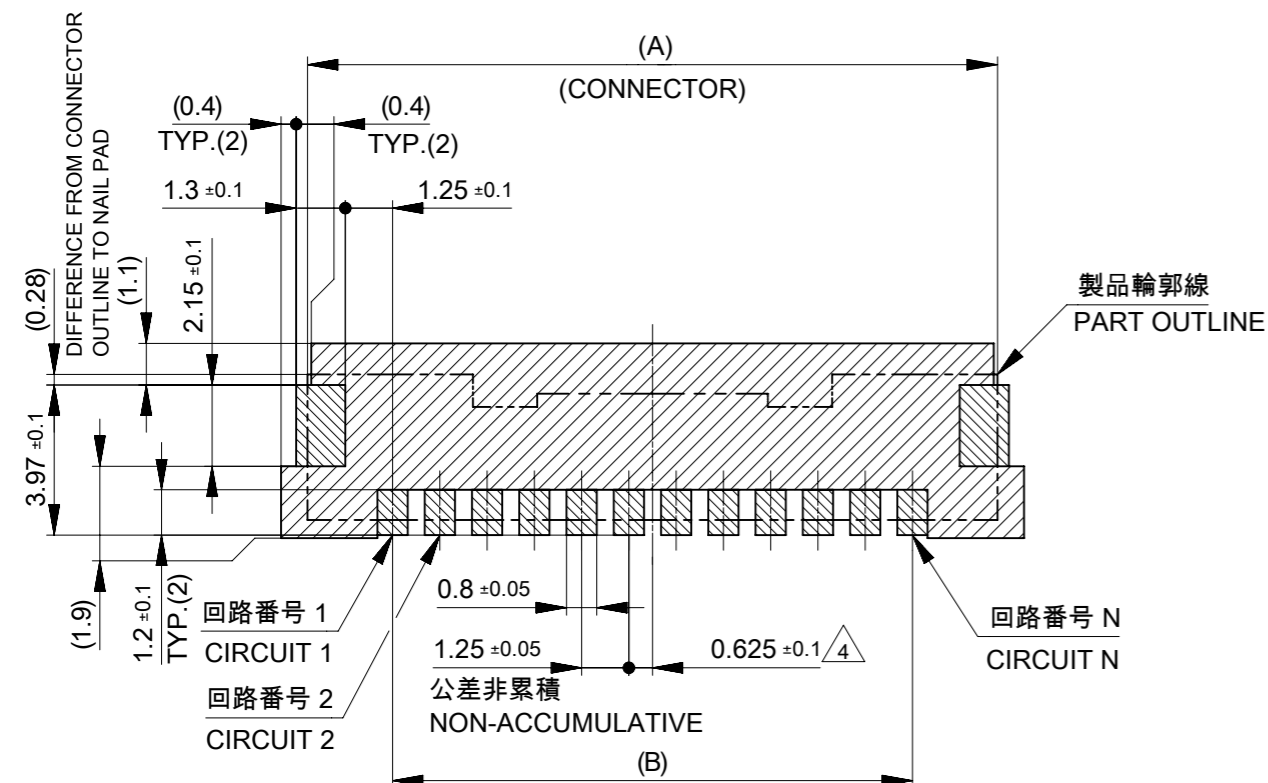
2-11極
2-11 CIRCUIT


12-13極
12-13 CIRCUIT

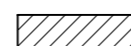
14極
14 CIRCUIT


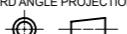
15-16 極
15-16 CIRCUIT

基板パターンレイアウト
PCB PATTERN LAYOUT

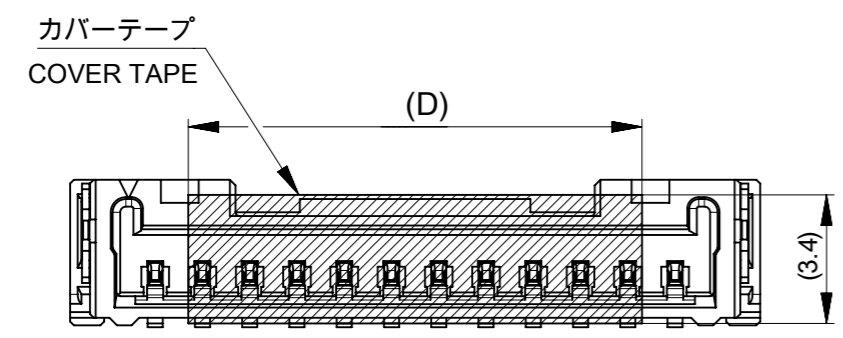


 基板パターンレイアウト (参考)
(参考: 基板厚 1.6mm, メタルマスク厚さ 0.15mm, マスク開口率 100%)
RECOMMEND PCB LAYOUT : COMPONENT SIDE
(REFERENCE : PCB THICKNESS 1.6mm, STENCIL THICKNESS 0.15mm, APERTURE RATIO 100%)

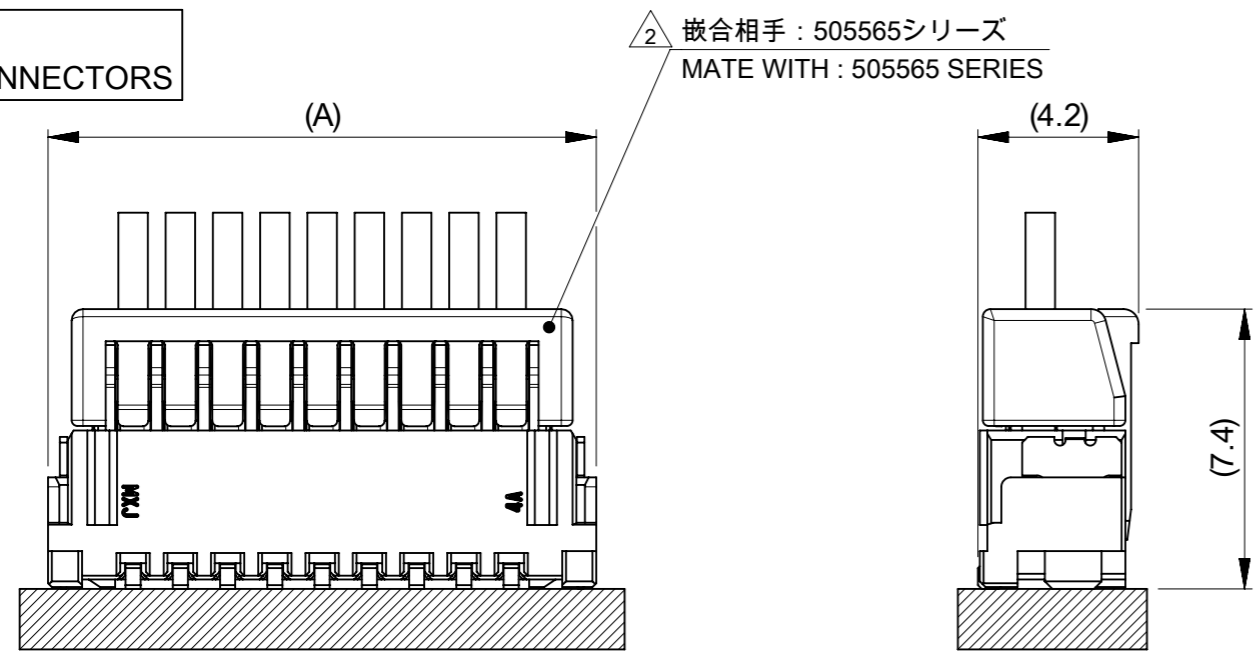
 パターン非推奨エリア
パターンを引き回す際は、製品機能に影響がないことをご確認ください。
PATTERN IS NOT RECOMMENDED ON THE HATCHING AREA
PLEASE CHECK NOT TO HAVE PROBLEM FOR PRODUCT FUNCTION
WHEN SETTING PATTERN ON THE HATCHING AREA.

| | | | | | | | | | | | | | |
|-----------------------------------------------------------------------------------------------------------------------------------------------|--|---------------------------------------------------------------------------------------|--|---------------------------------------------------------------------------------------------------------------------------------------------------------------------------------------------------------------|--|-----------------|--|---------------------------------------|--|------------|--|------------|--|
| THIS DRAWING CONTAINS INFORMATION THAT IS PROPRIETARY TO MOLEX ELECTRONIC TECHNOLOGIES, LLC AND SHOULD NOT BE USED WITHOUT WRITTEN PERMISSION | | | | | | | | | | | | | |
| DIMENSION UNITS | | SCALE | | CURRENT REV DESC: | | | | | | | | | |
| mm | | NTS | |  MICRO-LOCK PLUS 1.25 W/B SINGLE ROW VERTICAL SMT PLUG ASSEMBLY TIN-BISMUTH PLATING PRODUCT CUSTOMER DRAWING | | | | | | | | | |
| GENERAL TOLERANCES (UNLESS SPECIFIED) | | | | | | | | | | | | | |
| ANGULAR TOL ± 3.0° | | | | | | | | | | | | | |
| 4 PLACES ± 0.2 | | EC NO: 736271 | | | | | | | | 2022/12/27 | | 2023/02/16 | |
| 3 PLACES ± 0.2 | | DRWN: SOKUMURA01 | | | | | | | | 2023/02/16 | | 2023/02/16 | |
| 2 PLACES ± 0.2 | | CHK'D: SAKIYAMA | | | | | | | | 2023/02/16 | | 2023/02/16 | |
| 1 PLACE ± 0.2 | | APPR: AIDA | | INITIAL REVISION: | | DOCUMENT NUMBER | | DOC TYPE DOC PART REVISION | | | | | |
| 0 PLACES ± 0.2 | | DRWN: RWATANABE01 | | 2017/08/28 | | 5055680000-SD | | PSD 000 D | | | | | |
| DRAFT WHERE APPLICABLE MUST REMAIN WITHIN DIMENSIONS | | THIRD ANGLE PROJECTION | | DRAWING | | SERIES | | MATERIAL NUMBER CUSTOMER SHEET NUMBER | | | | | |
| | |  | | A3-SIZE | | 505568 | | SEE SHEET 5 GENERAL 2 OF 5 | | | | | |

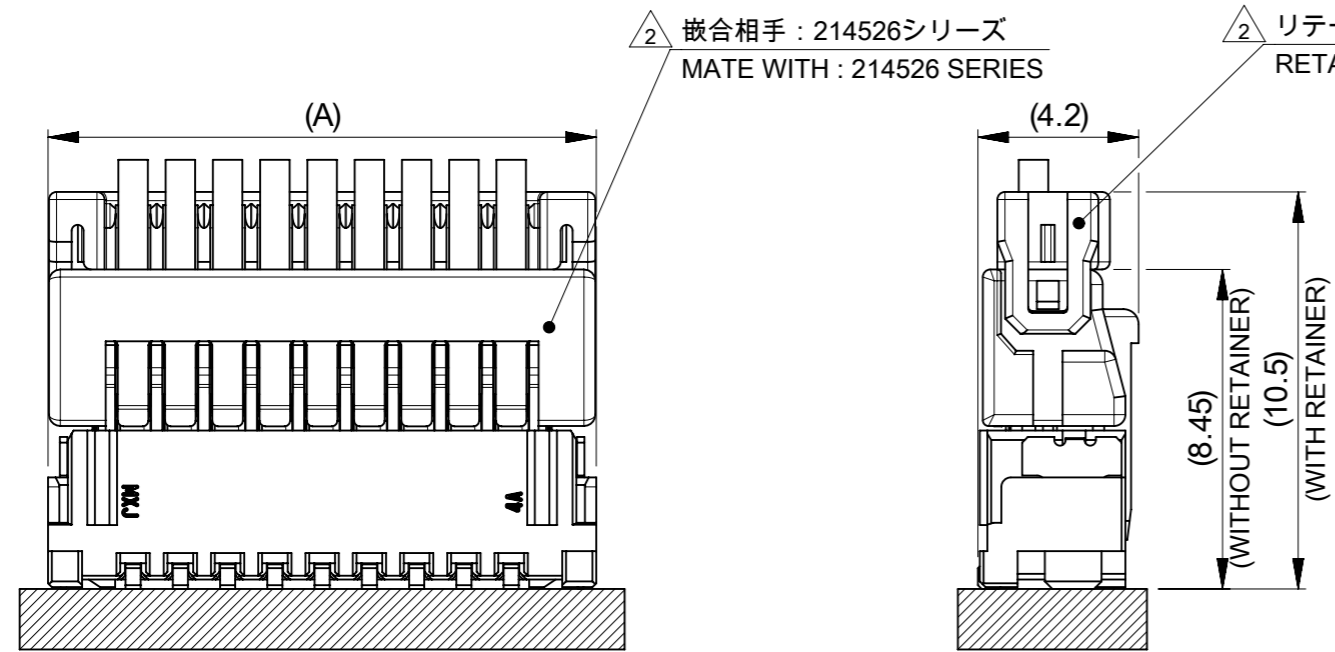
吸着エリア
SUCTION AREA



嵌合状態図
MATED CONNECTORS



2 嵌合相手 : 505565シリーズ
MATE WITH : 505565 SERIES



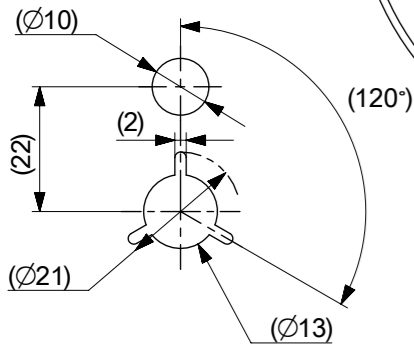
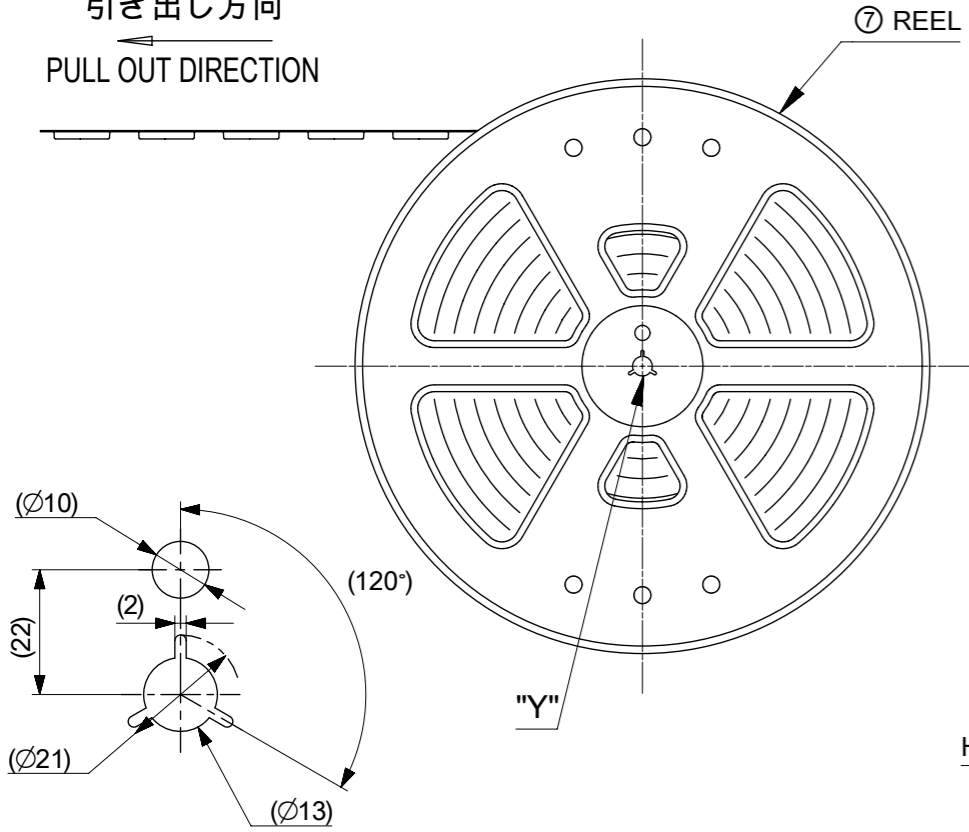
2 嵌合相手 : 214526シリーズ
MATE WITH : 214526 SERIES

2 リテーナー : 214528シリーズ
RETAINER : 214528 SERIES

| | |
|----|--------------------|
| 12 | 16 |
| | 15 |
| | 14 |
| | 13 |
| | 12 |
| | 11 |
| 10 | 10 |
| | 9 |
| | 8 |
| 8 | 7 |
| | 6 |
| | 5 |
| 7 | 4 |
| | 3 |
| 5 | 2 |
| | 極数 CIRCUIT SIZE |

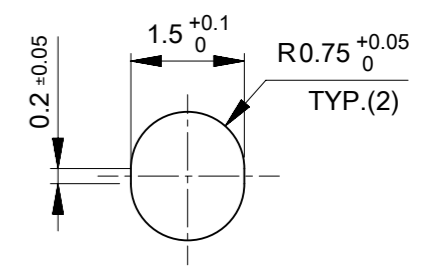
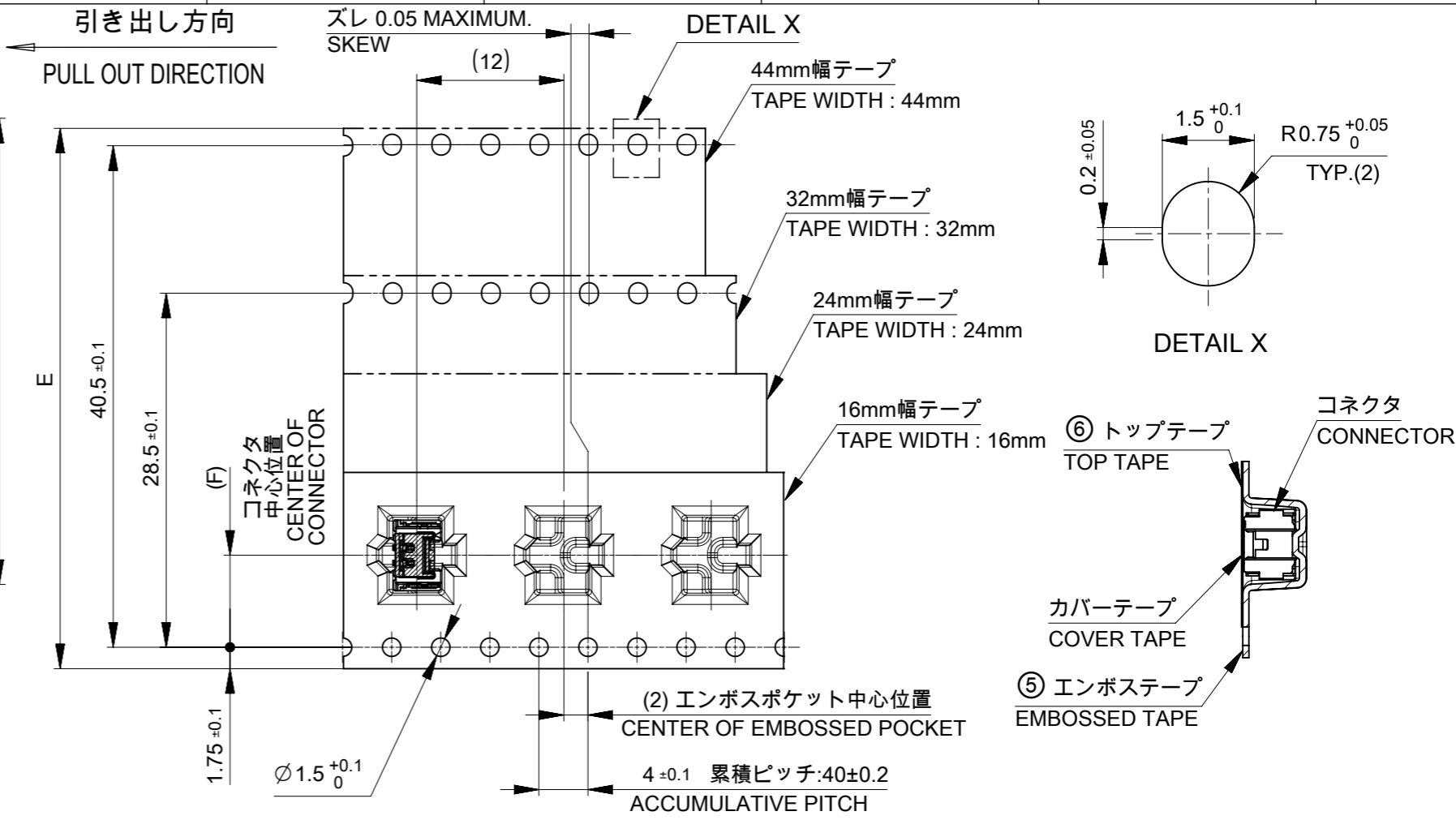
| | | | | | |
|-----------------------------------------------------------------------------------------------------------------------------------------------|---------|-------------------|--|------------------------------------------------------------------------------------------|--|
| THIS DRAWING CONTAINS INFORMATION THAT IS PROPRIETARY TO MOLEX ELECTRONIC TECHNOLOGIES, LLC AND SHOULD NOT BE USED WITHOUT WRITTEN PERMISSION | | CURRENT REV DESC: | | molex | |
| DIMENSION UNITS | SCALE | | | | |
| mm | NTS | | | MICRO-LOCK PLUS 1.25 W/B SINGLE ROW VERTICAL SMT PLUG ASSEMBLY TIN-BISMUTH PLATING | |
| GENERAL TOLERANCES (UNLESS SPECIFIED) | | | | PRODUCT CUSTOMER DRAWING | |
| ANGULAR TOL | ± 3.0 ° | | | DOCUMENT NUMBER | |
| 4 PLACES | ± 0.2 | EC NO: 736271 | | 5055680000-SD | |
| 3 PLACES | ± 0.2 | DRWN: SOKUMURA01 | | DOC TYPE | |
| 2 PLACES | ± 0.2 | CHK'D: SAKIYAMA | | PSD | |
| 1 PLACE | ± 0.2 | APPR: AIDA | | DOC PART | |
| 0 PLACES | ± 0.2 | INITIAL REVISION: | | 000 | |
| DRAFT WHERE APPLICABLE MUST REMAIN WITHIN DIMENSIONS | | DRWN: RWATANABE01 | | REVISION | |
| THIRD ANGLE PROJECTION | | APPR: TKANEKO | | D | |
| DRAWING | | SERIES | | SHEET NUMBER | |
| A3-SIZE | | 505568 | | 3 OF 5 | |
| MATERIAL NUMBER | | CUSTOMER | | | |
| SEE SHEET 5 | | GENERAL | | | |

引き出し方向
PULL OUT DIRECTION

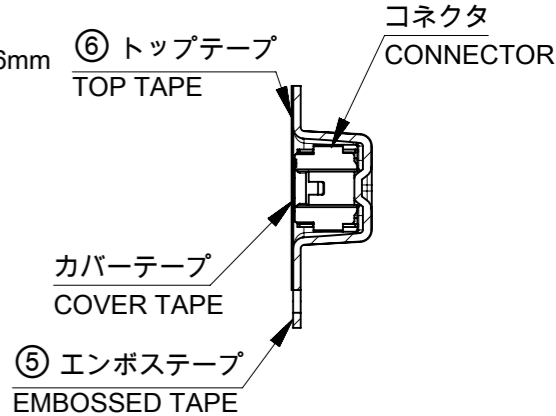


DETAIL "Y"

引き出し方向
PULL OUT DIRECTION

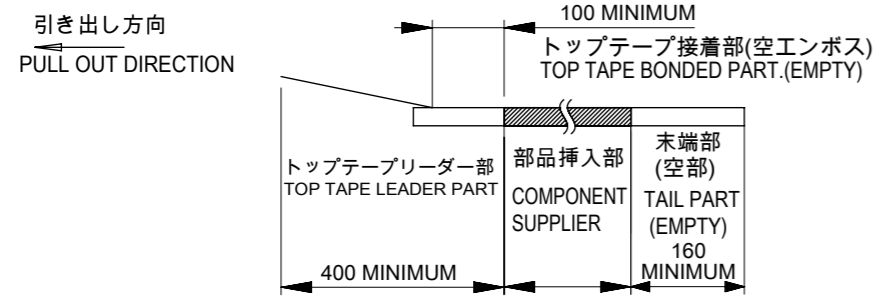


DETAIL X



注記 NOTE

- 6. 梱包数量 : 1200個 / リール
NUMBER OF CONNECTORS : 1200 PCS/REEL.
- 7. リードテープ長さ
LEAD TAPE LENGTH.



- 8. トップテープの剥離強度はIEC60286-3に準拠
TOP TAPE PEELING FORCE IS DEFINED BY IEC60286-3

TABLE 2

| 番号 NO. | 部品 PART | 材質 MATERIAL |
|-----------|---------------------------|-------------------------------------------------------------------------|
| ⑤ | エンボステープ EMBOSSSED TAPE | ポリスチレン(PS) POLYSTYRENE(PS) |
| ⑥ | トップテープ TOP TAPE | ポリエチレン(PE), その他 POLYETHYLENE(PE), ETC |
| ⑦ | リール REEL | ポリスチレン(PS) <リサイクル材を含む> POLYSTYRENE(PS) <RECYCLE MATERIAL CONTAINED > |

| 極数 CIRCUIT SIZE | E | F | G | H |
|--------------------|------------------------------------|------|------|------|
| 16 | 44±0.3 | 20.2 | 45.4 | 49.4 |
| 15 | | | | |
| 14 | | | | |
| 13 | | | | |
| 12 | 32±0.3 | 14.2 | 33.4 | 37.4 |
| 11 | | | | |
| 10 | | | | |
| 9 | | | | |
| 8 | | | | |
| 7 | 24 ^{+0.3} _{-0.1} | 11.5 | 25.4 | 29.4 |
| 6 | | | | |
| 5 | | | | |
| 4 | | | | |
| 3 | 16 ^{+0.3} _{-0.1} | 7.5 | 17.4 | 21.4 |
| 2 | | | | |

THIS DRAWING CONTAINS INFORMATION THAT IS PROPRIETARY TO MOLEX ELECTRONIC TECHNOLOGIES, LLC AND SHOULD NOT BE USED WITHOUT WRITTEN PERMISSION

DIMENSION UNITS: mm SCALE: NTS

CURRENT REV DESC:

molex

MICRO-LOCK PLUS 1.25 W/B
SINGLE ROW VERTICAL SMT PLUG ASSEMBLY
TIN-BISMUTH PLATING

PRODUCT CUSTOMER DRAWING

DOCUMENT NUMBER: 5055680000-SD
DOC TYPE: PSD
DOC PART: 000
REVISION: D

DRWN: RWATANABE01 2017/08/28
APPR: TKANEKO 2017/09/26

SHEET NUMBER: 4 OF 5

△ 2 適合製品及び各種仕様書 APPLICABLE PRODUCTS AND VARIOUS SPECIFICATIONS

| | | | |
|----------------------------------------------------|--------------------------------|----------------------|--------------------------------------------------|
| 梱包仕様書 PACKAGING SPECIFICATION | | 5055689200 PS 200 | |
| 適合嵌合相手 MATE WITH | シリーズ番号 SERIES NUMBER | 505565 | 214526 |
| | リテーナー対応 RETAINER APPLICABLE | NOT COMPLIANT | COMPLIANT (NATURAL, BLACK, RED, YELLOW, BLUE) |
| 適合リテーナーシリーズ番号 APPLICABLE RETAINER SERIES NUMBER | | - | 214528 |
| 製品仕様書 PRODUCT SPECIFICATION | | 5055650000 PS 000 | 2145260000-PS PS 000 |
| コネクタ取扱説明書 APPLICATION SPECIFICATION | | 5055650000-AS PS 000 | |

△ 5 505568**7* 発注番号一覧 ORDER NUMBER LIST

| ORANGE | GREEN | BLUE | YELLOW | RED | BLACK | NATURAL (BEIGE) | HOUSING COLOR |
|------------------------------------------------------|------------|------------|------------|------------|------------|--------------------|--------------------|
| 5055681678 | 5055681676 | 5055681674 | 5055681673 | 5055681672 | 5055681671 | 5055681670 | 16 |
| 5055681578 | 5055681576 | 5055681574 | 5055681573 | 5055681572 | 5055681571 | 5055681570 | 15 |
| 5055681478 | 5055681476 | 5055681474 | 5055681473 | 5055681472 | 5055681471 | 5055681470 | 14 |
| 5055681378 | 5055681376 | 5055681374 | 5055681373 | 5055681372 | 5055681371 | 5055681370 | 13 |
| 5055681278 | 5055681276 | 5055681274 | 5055681273 | 5055681272 | 5055681271 | 5055681270 | 12 |
| 5055681178 | 5055681176 | 5055681174 | 5055681173 | 5055681172 | 5055681171 | 5055681170 | 11 |
| 5055681078 | 5055681076 | 5055681074 | 5055681073 | 5055681072 | 5055681071 | 5055681070 | 10 |
| 5055680978 | 5055680976 | 5055680974 | 5055680973 | 5055680972 | 5055680971 | 5055680970 | 9 |
| 5055680878 | 5055680876 | 5055680874 | 5055680873 | 5055680872 | 5055680871 | 5055680870 | 8 |
| 5055680778 | 5055680776 | 5055680774 | 5055680773 | 5055680772 | 5055680771 | 5055680770 | 7 |
| 5055680678 | 5055680676 | 5055680674 | 5055680673 | 5055680672 | 5055680671 | 5055680670 | 6 |
| 5055680578 | 5055680576 | 5055680574 | 5055680573 | 5055680572 | 5055680571 | 5055680570 | 5 |
| 5055680478 | 5055680476 | 5055680474 | 5055680473 | 5055680472 | 5055680471 | 5055680470 | 4 |
| 5055680378 | 5055680376 | 5055680374 | 5055680373 | 5055680372 | 5055680371 | 5055680370 | 3 |
| 5055680278 | 5055680276 | 5055680274 | 5055680273 | 5055680272 | 5055680271 | 5055680270 | 2 |
| 発注番号 : ORDER NUMBER | | | | | | | 極数 CIRCUIT SIZE |
| エンボステープ梱包 PACKAGING STYLE: EMBOSSED TAPE AND REEL | | | | | | | |

| | | | | | | | | | |
|-----------------------------------------------------------------------------------------------------------------------------------------------|--|------------------------------------------------------------|--|-----------------------------------------------------------------------------------------------------|--|--------------------|--|--------------------------|--|
| THIS DRAWING CONTAINS INFORMATION THAT IS PROPRIETARY TO MOLEX ELECTRONIC TECHNOLOGIES, LLC AND SHOULD NOT BE USED WITHOUT WRITTEN PERMISSION | | | | | | | | | |
| DIMENSION UNITS mm | | SCALE NTS | | CURRENT REV DESC: | | | | molex | |
| GENERAL TOLERANCES (UNLESS SPECIFIED) | | ANGULAR TOL ± 3.0° | | EC NO: 736271 DRWN: SOKUMURA01 2022/12/27 CHK'D: SAKIYAMA 2023/02/16 APPR: AIDA 2023/02/16 | | | | | |
| 4 PLACES ± 0.2 | | 3 PLACES ± 0.2 | | INITIAL REVISION: DRWN: RWATANABE01 2017/08/28 APPR: TKANEKO 2017/09/26 | | | | PRODUCT CUSTOMER DRAWING | |
| 2 PLACES ± 0.2 | | 1 PLACE ± 0.2 | | DOCUMENT NUMBER 5055680000-SD | | | | DOC TYPE PSD | |
| 0 PLACES ± 0.2 | | DRAFT WHERE APPLICABLE MUST REMAIN WITHIN DIMENSIONS | | THIRD ANGLE PROJECTION | | DRAWING A3-SIZE | | SHEET NUMBER 5 OF 5 | |