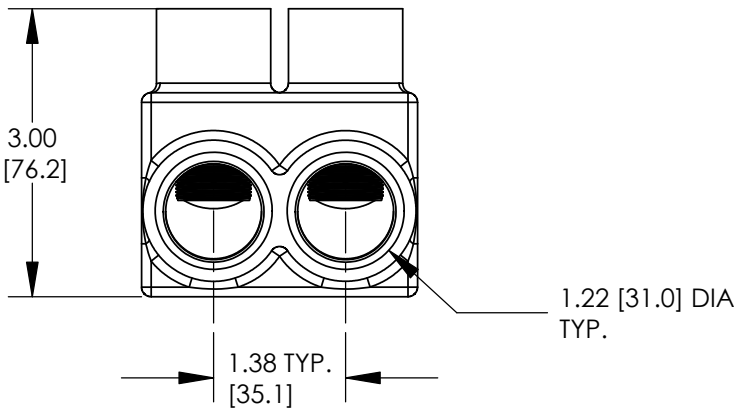
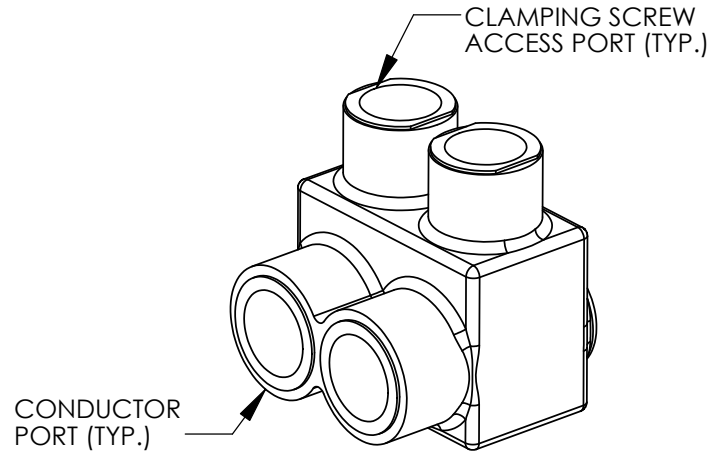
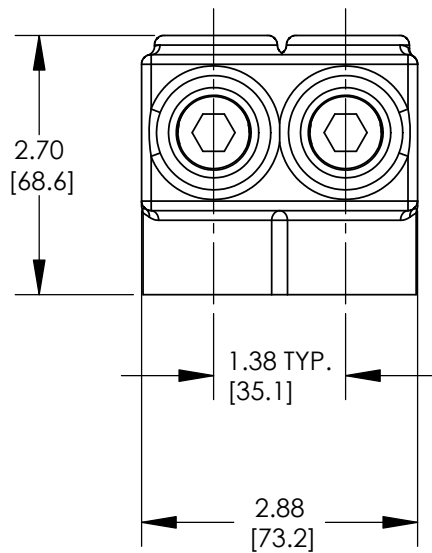


THIS COPY IS PROVIDED ON A RESTRICTED BASIS AND IS NOT TO BE USED IN ANY WAY DETRIMENTAL TO THE INTERESTS OF PANDUIT CORP.



NOTES:

1. DIMENSIONS IN PARENTHESIS ARE MILLIMETERS.
2. UL LISTED AND CSA CERTIFIED. DUAL RATED CU9AL FOR ALUMINUM OR COPPER CONDUCTORS.
3. VOLTAGE RATING: 600V MAX
4. TEMPERATURE RATING: 90° C
5. WIRE RANGE: 750kcmil - 1/0AWG
6. TIGHTENING TORQUE: 500 IN-LBS [56.5 N.m]
7. CONNECTOR BLOCK BODY IS MADE FROM ALUMINUM. CLAMPING SCREWS ARE ALUMINUM, TIN PLATED. PORTS IN CONNECTOR BLOCK ARE PREFILLED WITH AN OXIDE INHIBITING COMPOUND.
8. INSULATION MATERIAL IS CLEAR PVC.
9. CLAMPING SCREW ACCESS PORTS AND ALL CONDUCTOR ENTRY PORTS ARE PROVIDED WITH REMOVABLE PLASTIC CLOSURE PLUGS.
10. HEK KEY SIZE: 11/16"
11. ALL DIMENSIONS SHOWN ARE NOMINAL.
12. PACKAGE QUANTITY: -1 = 1



LISTED



CERTIFIED

C41708_01

REV	DATE	BY	CHK	DESCRIPTION	ECN	PM	APP
01	10/08	JHNU	JHNU	ADDED NOTE TO SPECIFY TIGHTENING TORQUE			
00	8/07	JHNU	LEM	DRAWING RELEASED			

PANDUIT CORP. TINLEY PARK, ILLINOIS

MULTI-TAP INSULATED CONNECTOR
(PCSB750-2S-1)
CUSTOMER DRAWING

DRAWN BY	CHK'D	SCALE	DRAWING NO / CAD FILE
JHNU		NONE	C41708