

1

2

3

4

5

6

7

A

B

C

D

E

F

G

H

A

B

C

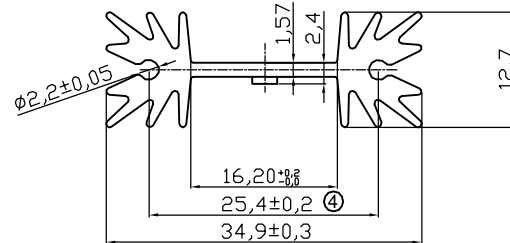
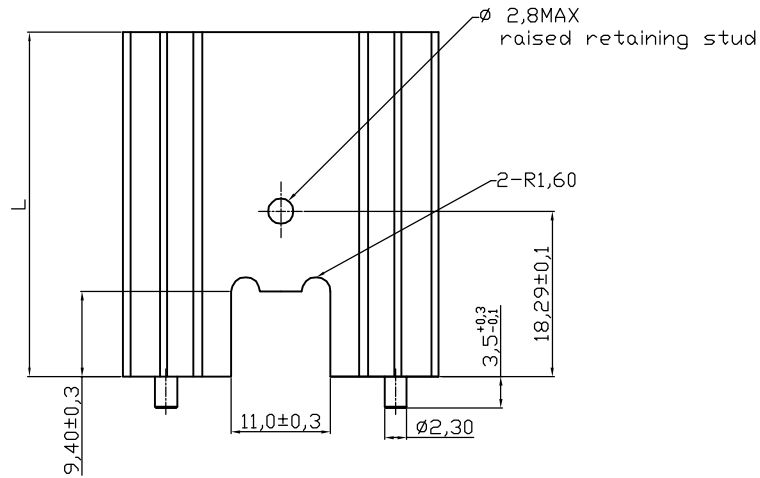
D

E

F

G

H



Material : AL 6063-T5
 PIN: CRS TIN PLATED
 Finished: Black anozed
 Unmarked round angle R is 5mm.

Option	L	Thermal resistance(K/W)
V7477WC	25.4	14
V7477XC	38.1	11
V7477YC	50.8	9
V7477ZC	63.5	7

RoHS compliant
 Unit: mm

Scale	FREE					Date	Name	Customer-No.
TOLERANCE		⑤	Change production plant	07.06.2013	Amy	Drawn	11.08.2009	Dean
X.	±X	④	Modify dimation	09.05.2011	Jason	Approved	07.06.2013	Amy
X.X	±X	③	Modify dimation	20.07.2010	Alex			
UNIT	±0.2	②	Modify drawing layout	10.03.2010	Alex			
DIM	Tol	①	Drawn	11.08.2009	Dean			
X.°	±X°	Id.	Modification	Date	Name			
X.X°	±X°							
Angle	TOL							

Customer-No.

Option

L

Thermal resistance(K/W)

V7477WC

25.4

14

V7477XC

38.1

11

V7477YC

50.8

9

V7477ZC

63.5

7

Drawing-No.

ASS 0867 HS

rev05

Replace

Sheet

1

2

3

4

5

6

7