

CABLE 355 RF: RF CABLE ASSEMBLY, I-PEX MHF IV PLUG + STRAIGHT SMA BULKHEAD JACK + 0.81MM CABLE - 6GHz

SPECIFICATIONS:

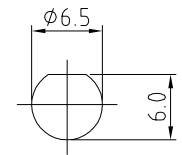
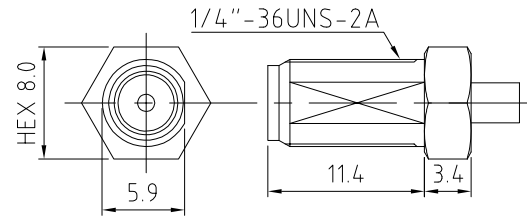
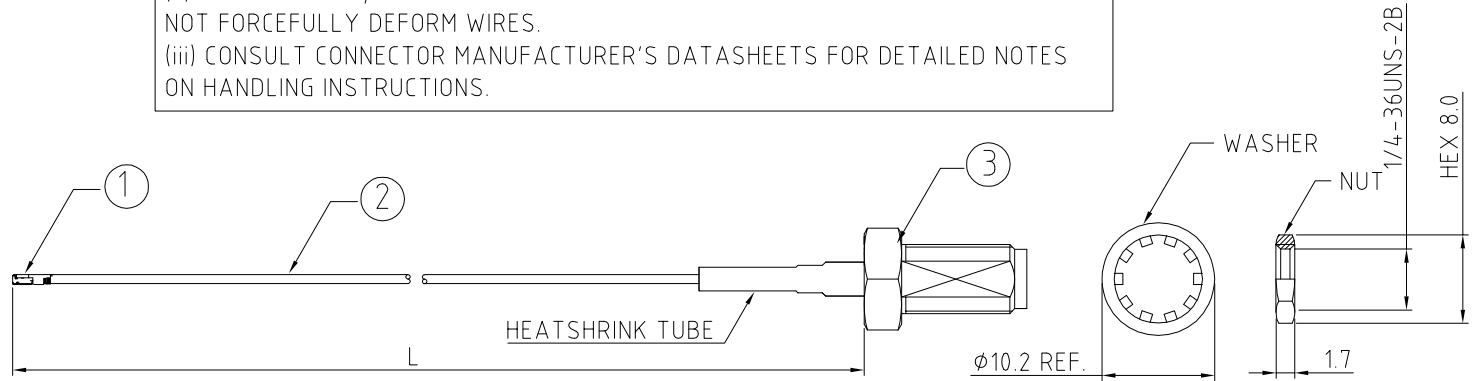
1. I-PEX MHF IV PLUG, P/N: 20448-001R-081
2. 0.81 COAXIAL CABLE, COLOR: GRAY
3. SMA STRAIGHT BULKHEAD JACK, GOLD, P/N: RFCT-SMA049-F08.

NOTES:

1. THE ORIENTATION OF CONNECTORS ON DRAWING IS FOR REFERENCE ONLY, IF THE ORDER IS LEFT BLANK THE CONNECTOR WILL NOT HAVE FIXED ORIENTATION.
2. FIXED ORIENTATION IS SUGGESTED FOR CABLE LENGTH 25M TO 100MM. PLEASE SPECIFY THE FIXED ORIENTATIONS FROM THE ORDER CODE (F1, F2, ETC)
3. CONTACT GRAD CONN IF THE ORIENTATION YOU REQUIRE IS NOT SHOWN.
4. WORKING FREQUENCY RANGE: DC-6GHz.
5. OPERATING TEMPERATURE: -40°C~+85°C
6. IMPEDANCE: 50 OHM

USAGE PRECAUTIONS: CABLES USING 'MICRO' COAX ARE DELICATE:

- (i) HANDLE WITH CARE.
- (ii) DO NOT TWIST; APPLY EXCESSIVE FORCES OR SHARP BENDS TO THE CABLE. DO NOT FORCEFULLY DEFORM WIRES.
- (iii) CONSULT CONNECTOR MANUFACTURER'S DATASHEETS FOR DETAILED NOTES ON HANDLING INSTRUCTIONS.



SMA JACK DETAIL DIMENSION

RECOMMENDED SMA MOUNTING HOLE

HOW TO ORDER

CABLE 355 RF - XXX - XX - X

"L" LENGTH IN MM

eg: 100MM = 100

(MIN. = 025, MAX. = 400

STANDARD = 100, 150, 200)

Tolerance: <50mm : ±2mm.

51-200mm : ±5mm.

201-400mm : ±7mm.

ORIENTATION OPTIONS:

BLANK = DOES NOT HAVE A FIXED ORIENTATION

F1 = MHF CONNECTION DOWN (L=25-220MM)

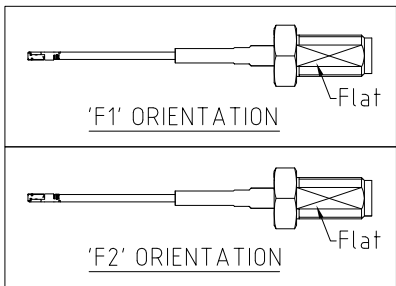
F2 = MHF CONNECTION UP (L=25-220MM)

(SEE NOTES 1, 2, 3 AND DIAGRAMS FOR MORE INFORMATION)

WASHER AND NUT OPTIONS:

BLANK = SEPERATELY PACKED (STANDARD)

A = ASSEMBLED WITH CONNECTOR



REV. DATE & DRN
10/27/09/19 - NYW RELEASE
11/07/06/20 - NYW AMEND SMA P/N
12/24/07/20 - NYW AMEND OPERATING TEMP.
13/13/06/23 - NYW AMEND SHIP DRAWING

Scale: NTS	THIRD ANGLE	Unstated X .XX .XXX ANGLES	Tolerances: N/A N/A N/A N/A	Material SEE NOTE
Drawn: NYW				
App'd: XXX	Title: CABLE ASSEMBLY	NOT TO SCALE		
Date: 13 JUN '23	Revision: 13	Unit: mm		

www.gradconn.com

THIS DRAWING IS CONFIDENTIAL AND MUST NOT BE COPIED OR DISCLOSED WITHOUT WRITTEN CONSENT

Type: Cable 355 RF
CABLE 355 RF
Drawing Number:
Sheet 1 of 1
Drawing © E and O E