

4

3

2

1

THIS DRAWING IS UNPUBLISHED.

RELEASED FOR PUBLICATION

,19

© COPYRIGHT 19

BY AMP INCORPORATED. ALL RIGHTS RESERVED.

LOC

DIST

REVISIONS

AD

47

P

LTR

DESCRIPTION

DATE

DWN

APVD

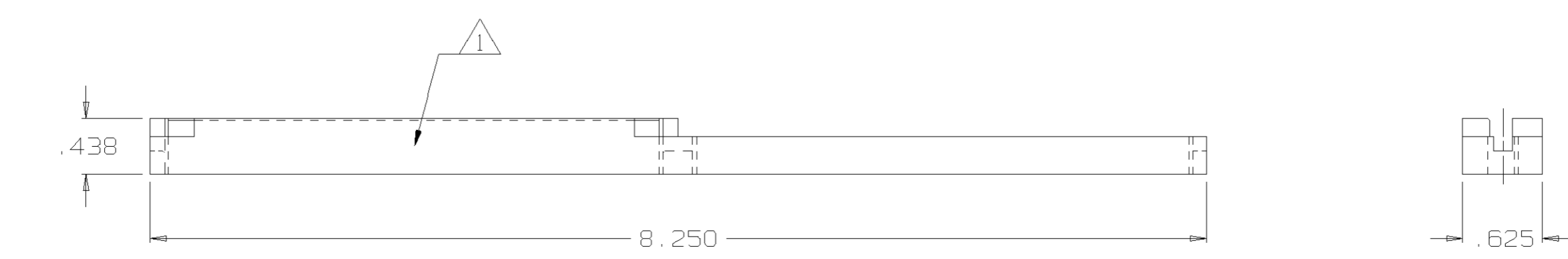
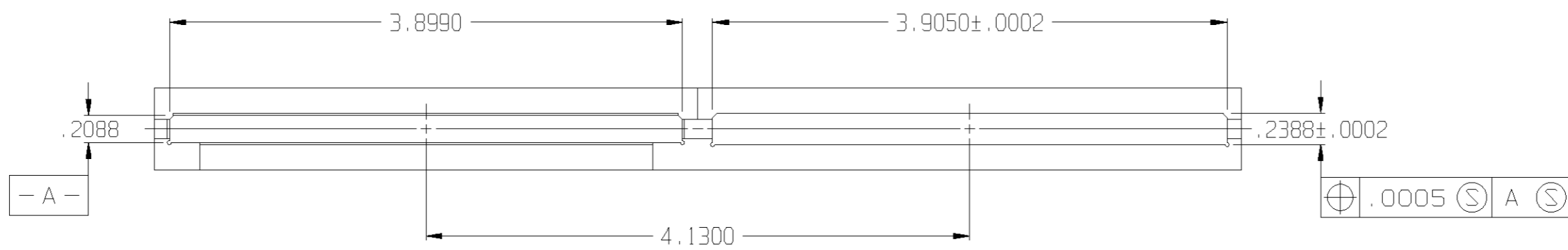
A

REVISED PER EC OS1B-0127-99

11-17-99

JG

SS



1 PART NUMBER MARKED IN AREA INDICATED.

767678-1
PART NUMBER

THIS DRAWING IS A CONTROLLED DOCUMENT.		OWN J. GERACE 5-24-99	AMP Incorporated Harrisburg, PA 17105-3608
DIMENSIONS: INCHES		CHK S. STRICKLER 5-24-99	
		APVD A. MONK 5-24-99	
TOLERANCES UNLESS OTHERWISE SPECIFIED:		NAME DUAL INSPECTION GAGE, 4.130 CL, 266 POS RIGHT ANGLE PLUG, MICTOR	
MATERIAL STAINLESS STEEL		PRODUCT SPEC -	
FINISH -		APPLICATION SPEC -	
		WEIGHT -	
		CUSTOMER DRAWING	
		SIZE A3	CAGE CODE 00779
		DRAWING NO C-767678	
		SCALE 1:1	SHEET 1 OF 1
		REV A	