

Customer Information Sheet

DRAWING No.: M22-0340000

SHEET 2 OF 2

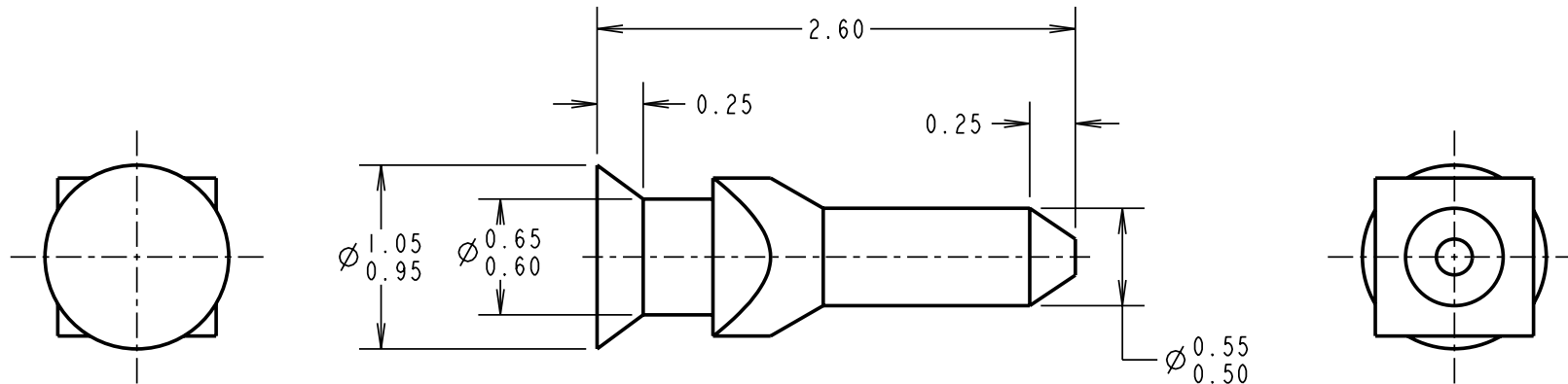
IF IN DOUBT - ASK

©

NOT TO SCALE

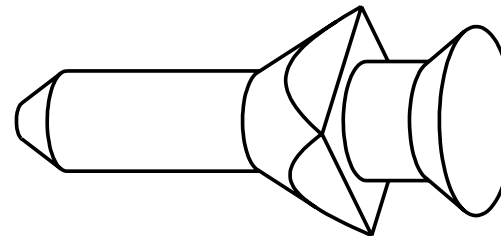
THIRD ANGLE PROJECTION

ALL DIMENSIONS IN mm



NOTES:

1. THIS POLARISING KEY IS TURNED REPLACEMENT OF M22-0140091.
2. DESIGNED FOR USE WITH THE FOLLOWING SOCKETS:
M22-301 SERIES
M22-302 SERIES
M22-713 SERIES
M22-714 SERIES
3. PACKED IN BAGS OF 100.



RA	1	02.11.07	----
NAME	ISS.	DATE	C/NOTE
APPROVED:		R. ADDE	
CHECKED:		MARK G PLESTED	
DRAWN:		MARK G PLESTED	
CUSTOMER REF.:			
ASSEMBLY DRG:			

HARWIN

HARWIN USA
TEL: 603 893 5376
FAX: 603 893 5396
mis@harwin.com

HARWIN Europe (UK)
TEL: 023 9231 4545
FAX: 023 9231 4590
mis@harwin.co.uk

HARWIN Asia
TEL: +65 6 779 4909
FAX: +65 6 779 3868
mis@harwin.com.sg

THIS DRAWING AND ANY INFORMATION OR DESCRIPTIVE MATTER SET OUT HEREON ARE CONFIDENTIAL AND COPYRIGHT PROPERTY OF THE HARWIN GROUP AND MUST NOT BE DISCLOSED, LOANED, COPIED OR USED FOR MANUFACTURING, TENDERING OR FOR ANY OTHER PURPOSE WITHOUT THEIR WRITTEN PERMISSION.

TOLERANCES
X. = ±1mm
X.X = ±0.25mm
X.XX = ±0.10mm
X.XXX = ±0.01mm

ANGLES = ±5°
UNLESS STATED

MATERIAL:
STAINLESS STEEL

FINISH: CLEAN
S/AREA: mm²

TITLE:
POLARISING KEY (TURNED) FOR
2mm SOCKET CONNECTORS

DRAWING NUMBER:
M22-0340000

SHT
2 OF 2