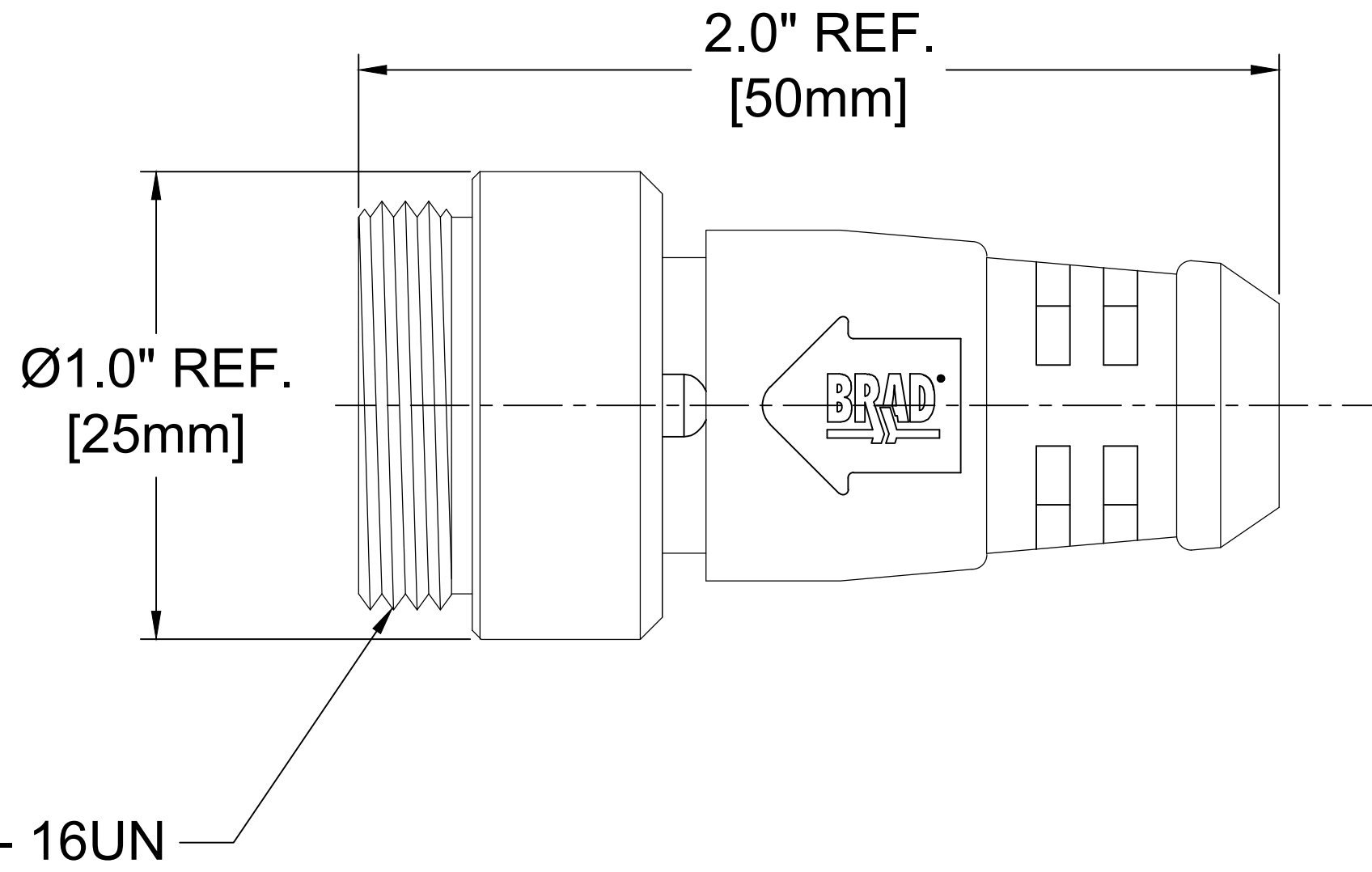
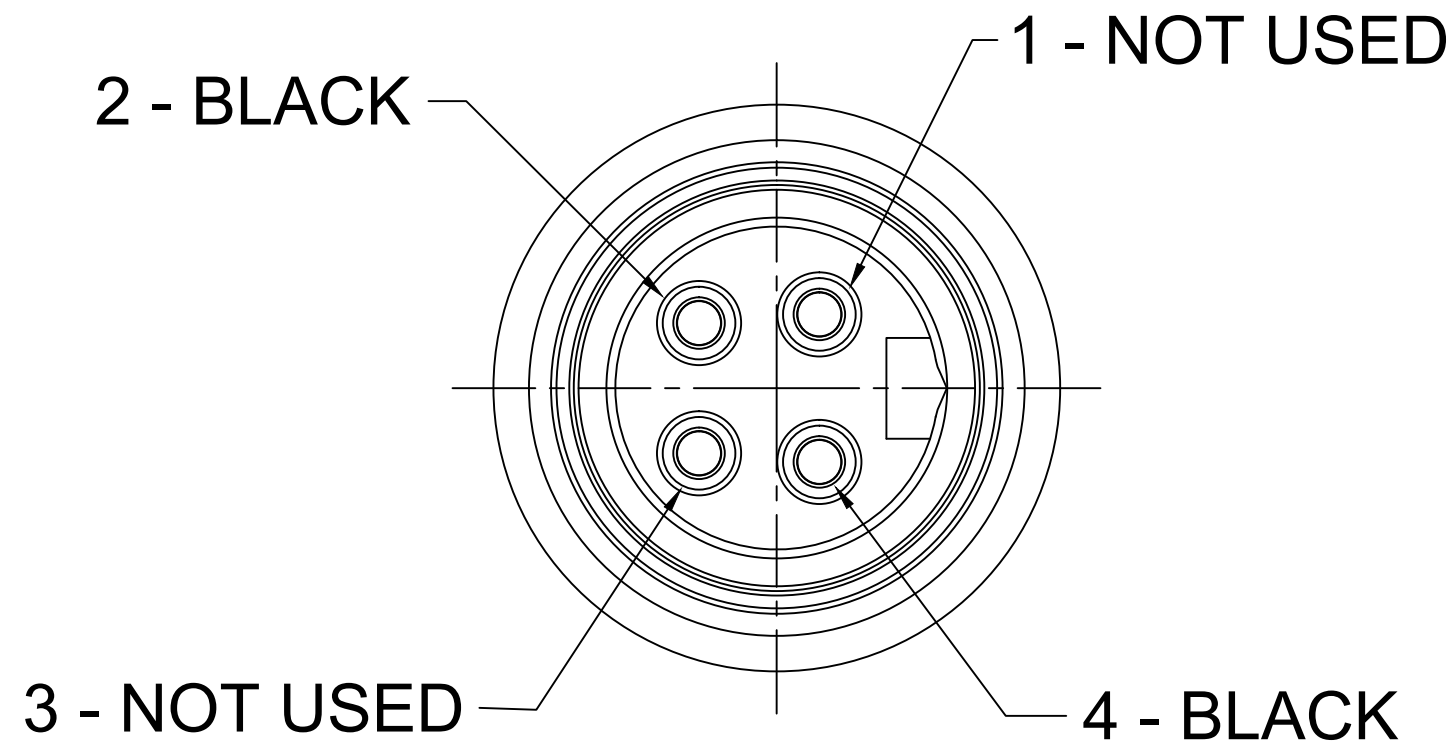
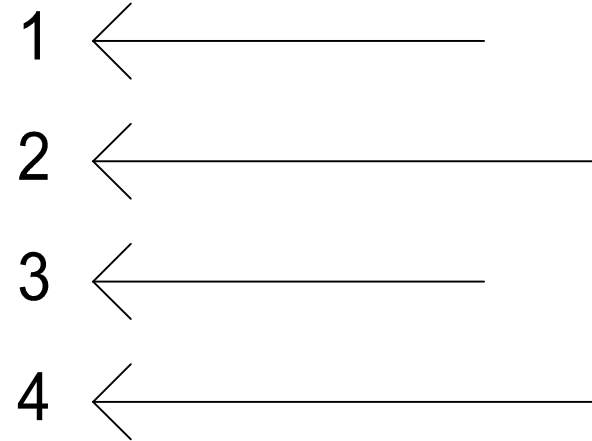


13	12	11	10	9	8	7	6	5	4	3	2	1
MATERIAL NUMBER		OLD PART NUMBER										
1300350077		DNESJ										

FRONT VIEW FEMALE INERT



SCHEMATIC:



VOLTAGE RATING	50 VAC/VDC
AMPERAGE RATING	8 AMPS
PROTECTION	IP67
OPERATING TEMPERATURE	0°C TO 60°C

COMPONENT	MATERIAL	FINISH
INSERT	TPE	YELLOW
CONTACT PIN	COPPER ALLOY	GOLD OVER NICKEL
COUPLNG NUT	ZINC DIE CAST	BLACK E-COATED
OVERMOLD	TPE	RED

RELEASE EC NO: IPG2014-0577 DRWN: GGUSTAFS 2013/10/21 CH'KD: BARDEN APPR: BWOODMAN 2013/10/31	DESCRIPTION REV	QUALITY SYMBOL	GENERAL TOLERANCES (UNLESS SPECIFIED) <table border="1"> <tr> <td></td> <td>mm</td> <td>INCH</td> </tr> <tr> <td>4 PLACES</td> <td>±---</td> <td>±---</td> </tr> <tr> <td>3 PLACES</td> <td>±---</td> <td>±.005</td> </tr> <tr> <td>2 PLACES</td> <td>±0.13</td> <td>±.010</td> </tr> <tr> <td>1 PLACE</td> <td>±0.25</td> <td>±.020</td> </tr> </table>		mm	INCH	4 PLACES	±---	±---	3 PLACES	±---	±.005	2 PLACES	±0.13	±.010	1 PLACE	±0.25	±.020	DIMENSION STYLE	SCALE	DESIGN UNITS	THIRD ANGLE PROJECTION
				mm	INCH																	
		4 PLACES		±---	±---																	
		3 PLACES		±---	±.005																	
2 PLACES	±0.13	±.010																				
1 PLACE	±0.25	±.020																				
	IN/MM	NTS	INCH																			
		DRAWN BY: GGUSTAFS DATE: 2013/10/21	TITLE																			
		CHECKED BY: BARDEN DATE: 2013/11/12	MINI CHANGE 4P MSPG 2-4 DNESJ																			
		APPROVED BY: BWOODMAN DATE: 2013/10/31	MOLEX INCORPORATED																			
		MATERIAL NO. SEE CHART	DOCUMENT NO. SD-130035-015		SHEET NO. 1 OF 1																	
		SIZE C	THIS DRAWING CONTAINS INFORMATION THAT IS PROPRIETARY TO MOLEX INCORPORATED AND SHOULD NOT BE USED WITHOUT WRITTEN PERMISSION																			