

1-382811-6 ✓ ACTIVE

AMPMODU

TE Internal #: 1-382811-6

Board-to-Board Jumpers & Shunts, Economy, Open Top, 2

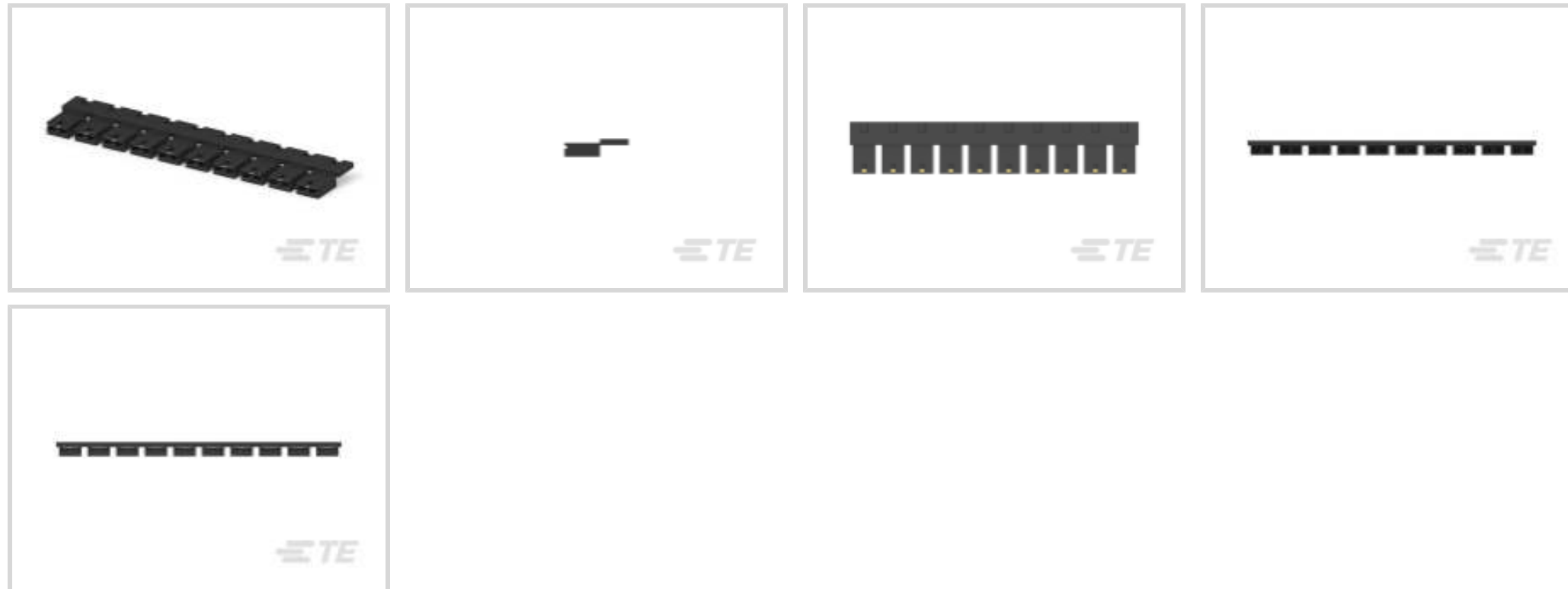
Position, .1 in [2.54 mm] Centerline, Signal, -85 – 221 °F [-65 – 105 °

C]

[View on TE.com >](#)



Connectors > PCB Connectors > Board-to-Board Connectors > Board-to-Board Jumpers & Shunts



Shunt Type: **Economy**

Shunt Style: **Open Top**

Connector System: **Board-to-Board**

Number of Positions: **2**

Centerline (Pitch): **2.54 mm [.1 in]**

Features

Product Type Features

Connector System	Board-to-Board
Connector & Contact Terminates To	Printed Circuit Board

Configuration Features

Number of Positions	2
---------------------	---

Electrical Characteristics

Insulation Resistance	1000 MΩ
-----------------------	---------

Body Features

Handle	Without
Primary Product Color	Black

Contact Features

Contact Mating Area Plating Material Thickness	.381 μm[15 μin]
Contact Mating Area Plating Material	Gold
Contact Base Material	Phosphor Bronze



Shunt Type	Economy
------------	---------

Shunt Style	Open Top
-------------	----------

Contact Current Rating (Max)	3 A
------------------------------	-----

Housing Features

Housing Material	Polyester - GF
------------------	----------------

Centerline (Pitch)	2.54 mm[.1 in]
--------------------	----------------

Dimensions

Product Height	6.35 mm[.25 in]
----------------	-----------------

Usage Conditions

Operating Temperature Range	-65 – 105 °C[-85 – 221 °F]
-----------------------------	----------------------------

Operation/Application

Circuit Application	Signal
---------------------	--------

Industry Standards

Approved Standards	CSA Certified, UL Recognized
--------------------	------------------------------

UL Flammability Rating	UL 94V-0
------------------------	----------

Packaging Features

Jumper & Shunt Packaging	Loose Piece
--------------------------	-------------

Packaging Quantity	1500
--------------------	------

Packaging Method	Box
------------------	-----

Product Compliance

[For compliance documentation, visit the product page on TE.com>](#)

EU RoHS Directive 2011/65/EU	Compliant
------------------------------	-----------

EU ELV Directive 2000/53/EC	Compliant
-----------------------------	-----------

China RoHS 2 Directive MIIT Order No 32, 2016	No Restricted Materials Above Threshold
---	---

EU REACH Regulation (EC) No. 1907/2006	Current ECHA Candidate List: JUNE 2023 (235) Candidate List Declared Against: JUNE 2023 (235) Does not contain REACH SVHC
--	---

Halogen Content	Not Low Halogen - contains Br or Cl > 900 ppm.
-----------------	--

Solder Process Capability	Not applicable for solder process capability
---------------------------	--

Product Compliance Disclaimer

This information is provided based on reasonable inquiry of our suppliers and represents our current actual knowledge based on the information they provided. This information is subject to change. The part numbers that TE has identified as EU RoHS compliant have a maximum concentration of 0.1% by weight in homogenous materials for lead, hexavalent chromium, mercury, PBB, PBDE, DBP, BBP, DEHP, DIBP, and 0.01% for cadmium, or qualify for an exemption to these limits as defined in the Annexes of Directive 2011/65/EU (RoHS2). Finished electrical and electronic equipment products will be CE marked as required by Directive 2011/65/EU. Components may not be CE marked. Additionally, the part numbers that TE has identified as EU ELV compliant have a maximum concentration of 0.1% by weight in homogenous materials for lead, hexavalent chromium, and mercury, and 0.01% for cadmium, or qualify for an exemption to these limits as defined in the Annexes of Directive 2000/53/EC (ELV). Regarding the REACH Regulation, the information TE provides on SVHC in articles for this part number is based on the latest European Chemicals Agency (ECHA) 'Guidance on requirements for substances in articles' posted at this URL: <https://echa.europa.eu/guidance-documents/guidance-on-reach>

Compatible Parts



TE Part # 5-146280-2
02 MODII HDR SRST B/A .100CL



TE Part # 5-146276-2
02 MODII HDR SRST B/A .100CL

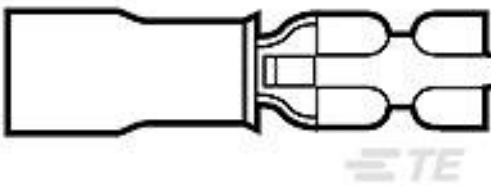


TE Part # 5-146284-2
02 MODII HDR SRST B/A .100CL

Customers Also Bought




TE Part #5745781-3
09 MSFL RCPT RA 318 (IN,FM)



TE Part #640929-1
RECEPT,PIDG FASTON 16-14 110



TE Part #3-641215-9
09P MTA100 HDR ASSY FL/ST 30AU



TE Part #35653
SPLICE,N CE 22-10



TE Part #1546307-2
2P .374" DR BARRIER,W/WASHER



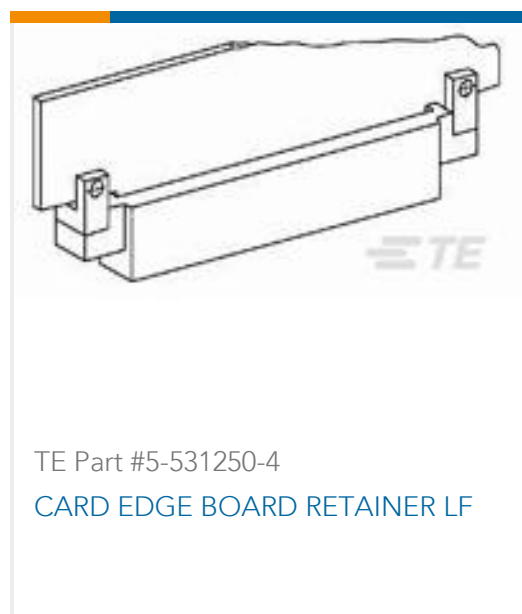
TE Part #8-640923-1
RECEPT,PIDG FASTON 22-18 110



TE Part #2176346-2
CRGCQ 1210 1R5 5%



TE Part #8-2176369-2
RQ 0603 280R 0.1% 10PPM 5K RL



Documents

Product Drawings

SHUNT,ECON,PHBR 15AU,BLACK L/P

English

CAD Files

3D PDF

3D

Customer View Model

ENG_CVM_CVM_1-382811-6_P.2d_dxf.zip

English

Customer View Model

ENG_CVM_CVM_1-382811-6_P.3d_igs.zip

English

Customer View Model

ENG_CVM_CVM_1-382811-6_P.3d_stp.zip

English

By downloading the CAD file I accept and agree to the [Terms and Conditions](#) of use.

Datasheets & Catalog Pages

AMPMODU_INTERCONNECTION_SYSTEM_SECTION_6_7AND8

English

Product Specifications

Product Specification

English

Product Environmental Compliance

MD_1-382811-6_11192018826_dmtec

English

MD_1-382811-6_11192018826_dmtec

English

Instruction Sheets

Instruction Sheet (U.S.)

English

Low Profile, Economy, and Dual Beam Shunt Connectors 382811, 390088, and 382823



English