

THIS DRAWING IS UNPUBLISHED.

RELEASED FOR PUBLICATION

© COPYRIGHT - By -

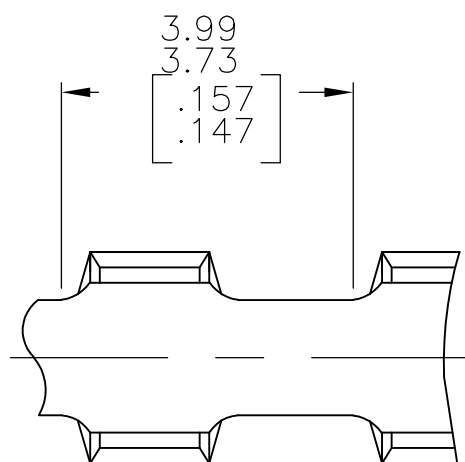
ALL RIGHTS RESERVED.

LOC
AF

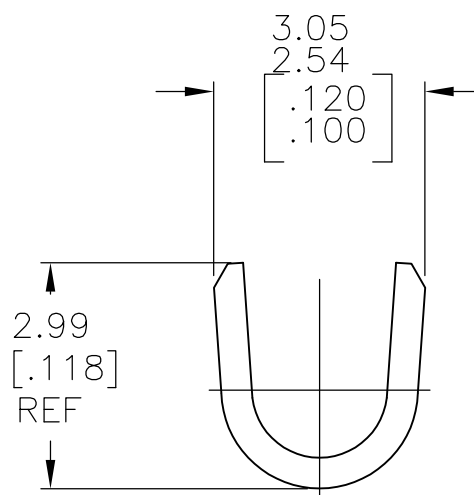
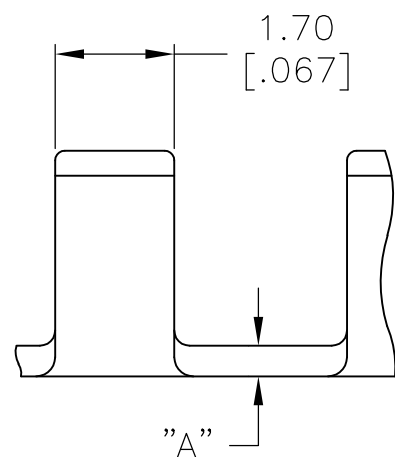
DIST
50

REVISIONS

P	LTR	DESCRIPTION	DATE	DWN	APVD
	G1	REVISED PER ECR-11-007368	30MAR09	HMR	GP



- 1 PRODUCT PROVIDED IN CONTINUOUS (BREAK FREE) STRIP FORM ON REELS.
- 2 WIRE RANGE: 1.11-1.47mm²[2200 TO 2900 CMA]
- 3 CRIMP WIDTH: 2.29[.090] F TYPE.
CRIMP HEIGHT IN INCHES (+/- .002) = (TOTAL CMA OF WIRE + 6550)/175000.



OBSOLETE	NONE	.016±.001	ANL. ST. STEEL	60933-3
	TIN	.012±.001	TEMP 2 STEEL	60933-2
OBSOLETE	TIN	.016±.001	082 BRASS	60933-1
	FINISH	"A" MATERIAL THICKNESS	MATERIAL	PART NO

THIS DRAWING IS A CONTROLLED DOCUMENT.		DWN RAGHAVENDRA 23FEB07	STE TE Connectivity		
		CHK G.D.PORTA 23FEB07			
DIMENSIONS: mm [INCHES]		APVD G.D.PORTA 23FEB07	NAME		
TOLERANCES UNLESS OTHERWISE SPECIFIED:		PRODUCT SPEC	SPLICE		
0 PLC ± -		APPLICATION SPEC	SIZE		
1 PLC ± -		114-2088	CAGE CODE	DRAWING NO	RESTRICTED TO
2 PLC ± 0.25[.010]		WEIGHT	A3	00779	C-60933
3 PLC ± -					
4 PLC ± -					
ANGLES ± -					
MATERIAL SEE TABLE	FINISH SEE TABLE	CUSTOMER DRAWING	SCALE	SHEET	REV
			10:1	1 OF 1	G1