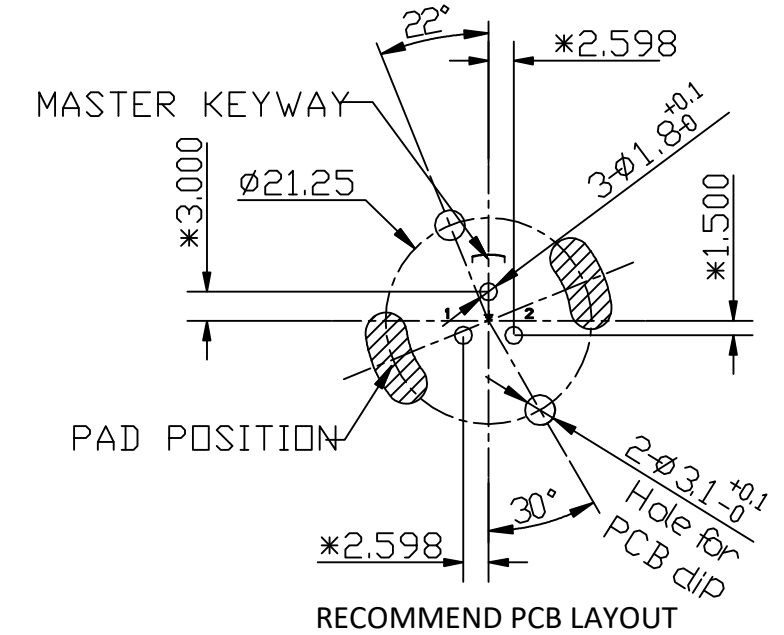
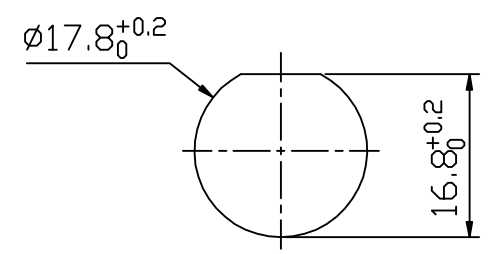
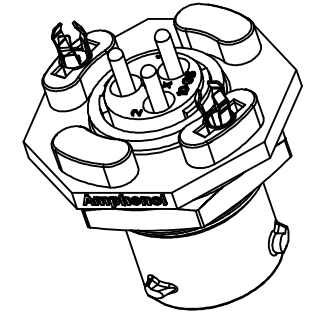
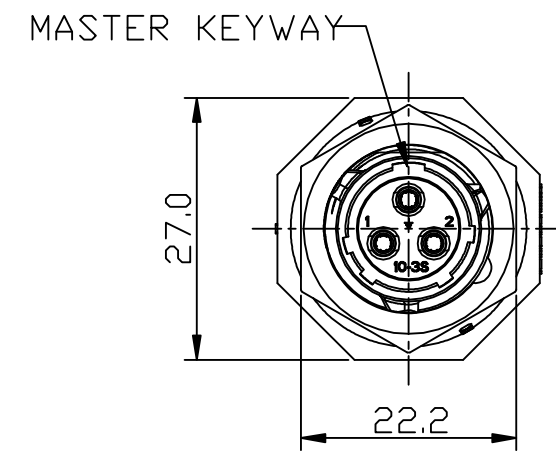
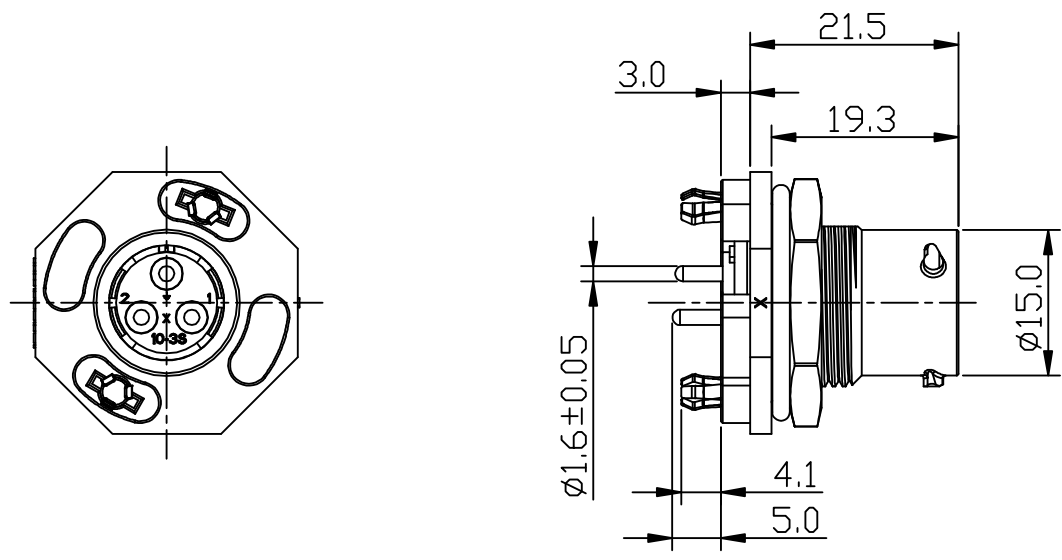


REVISIONS					
REV	ECD	DESCRIPTION	DATE	BY	APPR
A1	-	FIRST RELEASED	Jul-26-2019	Ronald	Tommy



NOTES: (UNLESS OTHERWISE SPECIFIED)

- MATERIAL:
 - SHELL: THERMOPLASTIC, UL94 V-0.
 - INSERT: THERMOPLASTIC, UL94 V-0.
 - O-RING: SILICONE RUBBER.
 - SEAL GASKET: SILICONE RUBBER.
 - JAM NUT: ALUMINIUM ALLOY, BLACK ANODIZING.
 - CONTACT: COPPER ALLOY, GOLD PLATED.
 - LOCKING POSTS: COPPER ALLOY, TIN PLATED.
- SPECIFICATIONS:
 - 2.1 RATED CURRENT: 13A (MAX).
 - 2.2 RATED VOLTAGE: 500V(AC/DC).
 - 2.3 OPERATING TEMPERATURE: -40C - 125C.
 - 2.4 DIELECTRIC WITHSTANDING VOLTAGE: LESS THAN 2 MILLIAMPS CURRENT LEAKAGE@2000 VOLTS AC.
 - 2.5 INSULATION RESISTANCE: 5000 MEGOHMS MIN.
 - 2.6 IP--CLASS: IP67 AND IP69K IN THE MATED CONDITION.
 - 2.7 MATING CYCLES DURABILITY: 500 CYCLES MIN.
 - 2.8 RoHS COMPLIANT.
- SUITABLE CONTACTS: 16# CONTACT.
- ALL DIMENSIONS ARE FOR REFERENCE USE ONLY.

KEY	PART NUMBER
N	RTS710ND3S0332
W	RTS710WD3S0332
X	RTS710XD3S0332
Y	RTS710YD3S0332
Z	RTS710ZD3S0332

QUANTITY	PART NUMBER	DESCRIPTION	ITEM
MATERIALS LIST			
UNLESS OTHERWISE SPECIFIED 1) All dimensions are in metric (mm). 2) Tolerances are as follows: 1 PL DEC ±0.30 2 PL DEC ±0.15 3 PL DEC ±0.08 Fractions ±1/64 Angles ±1° 3) Note reference =		SIGNATURES DATE DRAWN: Ronald Jul-26-2019 CHECKED: Martin Jul-26-2019 ENGINEER: APPROVAL: Tommy Jul-26-2019 CUSTOMER:	Amphenol Sine Systems - www.amphenol-sine.com 44724 Morley Drive Clinton Township, MI 48036
MATERIAL SPECIFICATIONS: PROCESS SPECIFICATIONS: NEXT ASS'Y:		THIS DRAWING IS SUPPLIED FOR INFORMATION ONLY. DESIGN FEATURES, SPECIFICATIONS AND PERFORMANCE DATA SHOWN HEREIN ARE THE PROPERTY OF THE AMPHENOL CORPORATION. NO RIGHTS OF REPRODUCTION ARE IMPLIED. ALL DIMENSIONS ARE SUBJECT TO NORMAL MANUFACTURING VARIATIONS.	ECOMATE® AQUARIUS™, RECEPTACLE, JAM NUT, SIZE 10, 3POS, SOCKET RTS710*D3S0332 A1
SIZE: B TYPE: C- SCALE: NONE		SHEET 1 OF 1	

TITLE: ECOMATE RECEPTACLE, JAM NUT, SIZE 10, 3POS, SOCKET. DWG NO: RTS710-D3S0332 REV: A1 SH: 1 DF: 1