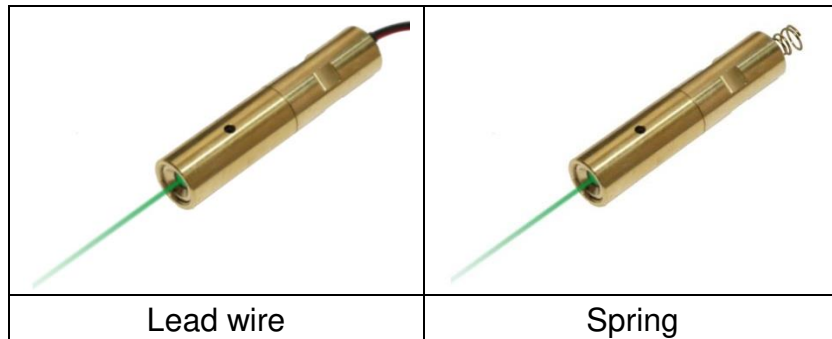


Industrial Use Green Laser

VLM-532-43 Series



FEATURES:

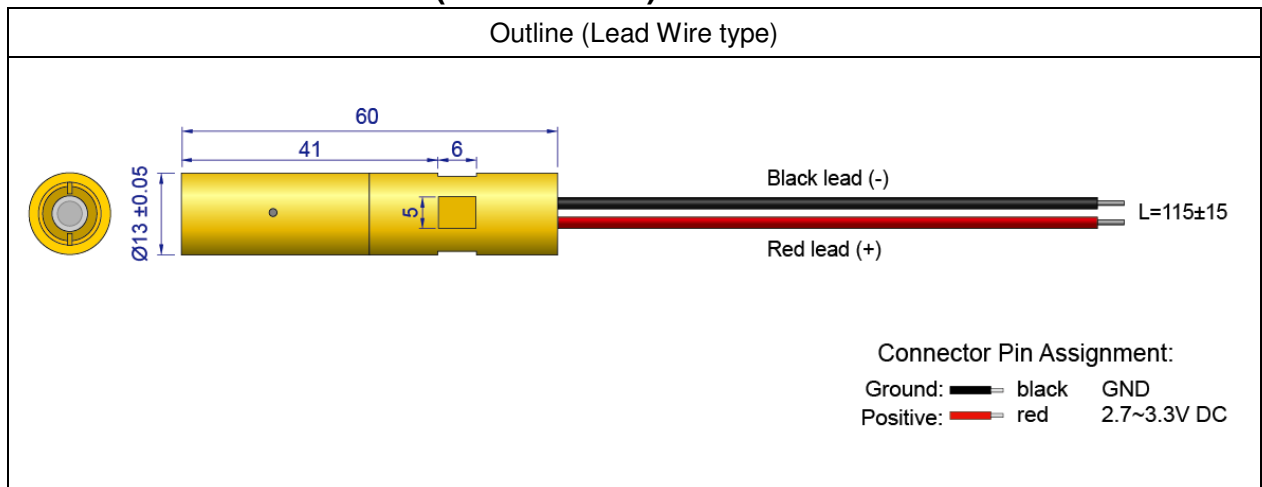
- Industrial DPPS Green Dot Laser.
- High quality circular green Laser spot with low beam divergence angle, ideal for industrial application.
- This module has integrated optic, laser diode, and APC driver circuit.
- APC driver circuit enables the Laser output power safe and constant.
- Includes patented solid brass structure for the best shock resistance and better heat transfer consideration.
- Multiple glass lenses included provides high quality Green Dot Laser.
- Dimensions : Ø13 x 60 mm (Ø0.512" x 2.362").
- Wavelength : 532 nm
- Laser power output : LPT - Class II – Less than 1mW.
LPA - Class IIIa – 1~5mW
LPB 、LPC – Class IIIb – 5~15mW
- Beam Divergence (Half Angle) : 0.3 mRad
- 2.7~3.3 VDC operation.
- Connection type: Lead wire / Spring

APPLICATIONS:

- Industrial Green Dot Laser - Multiple glass lenses boosts the high quality circular green Laser spot with low beam divergence angle, Ideal use includes long distance position, targeting, professional laser sight and security monitor.
- Wood processing.
- Metal processing.
- Stone processing.
- Textile industry.
- Food industry.
- Automotive industry.
- Medical science.

VLM-532-43 Series

OUTLINE DIMENSIONS (UNITS: mm)



SPECIFICATIONS

SPECIFICATIONS		VLM-532-43			
		LPT	LPA	LPB	LPC
1	Dimensions	$\varnothing 13 \times 60$ mm ($\varnothing 0.512" \times 2.362"$)			
2	Operating voltage (Vop)	2.7~3.3 VDC			
3	Operating current (Iop)	Less than 300mA			
4	Laser power output	Less than 1mW	1~5mW	5~10mW	10~15mW
5	Laser class	Class II	Class IIIa	Class IIIb	
6	Wavelength at peak emission (λ_p)	532nm			
7	Collimating lens	Multiple glass Lenses			
8	Beam shape	Circular			
9	Spot size	4±1 mm@5M, 18±2 mm@30M			
10	Divergence(Half angle)	0.3 mRad			
11	Beam alignment	Less than 3°			
12	Operating temp. range*	+15°C ~+35°C			
13	Storage temp. range	-40°C ~+70°C			
14	Housing	Brass			
15	Potential housing**	VDD(+)			
16	Electrostatic discharge (ESD)	30KV			
17	Moisture sensitivity level (MSL)	Level 1 - acc to JEDEC J-STD-020E.			
18	Connection type	1007-26AWG			
19	Cable length	115±15mm			
20	Mean time to failure (MTTF) 25°C	3000 hrs			

VLM-532-43 Series

21	Application	DPPS laser
22	Suggestion work distance	1~30 meters / 3~100 feet

* Operation temperature: it means within this temperature range, the laser spot/line will not be affected to change the spot size/line width. It can still work over this range, but the laser spot size or laser line width will be larger.

** Laser module housing is an electrical positive surface, it is imperative that contact between the laser module and the machine be avoided. This is to prevent damage from the machine electrical leakage. Surge protected power supply to the laser module is strongly recommended.

ORDER CODE

Order Code	Wavelength	Laser Power Output	Laser Class	Connection Type
VLM-532-43 LPT	532 nm	Less than 1mW	Class II	Lead Wire
VLM-532-43 LPA	532 nm	1~5mW	Class IIIa	Lead Wire
VLM-532-43 LPB	532 nm	5~10mW	Class IIIb	Lead Wire
VLM-532-43 LPC	532 nm	10~15mW	Class IIIb	Lead Wire

SAFETY LABEL

LPT:



LPA:

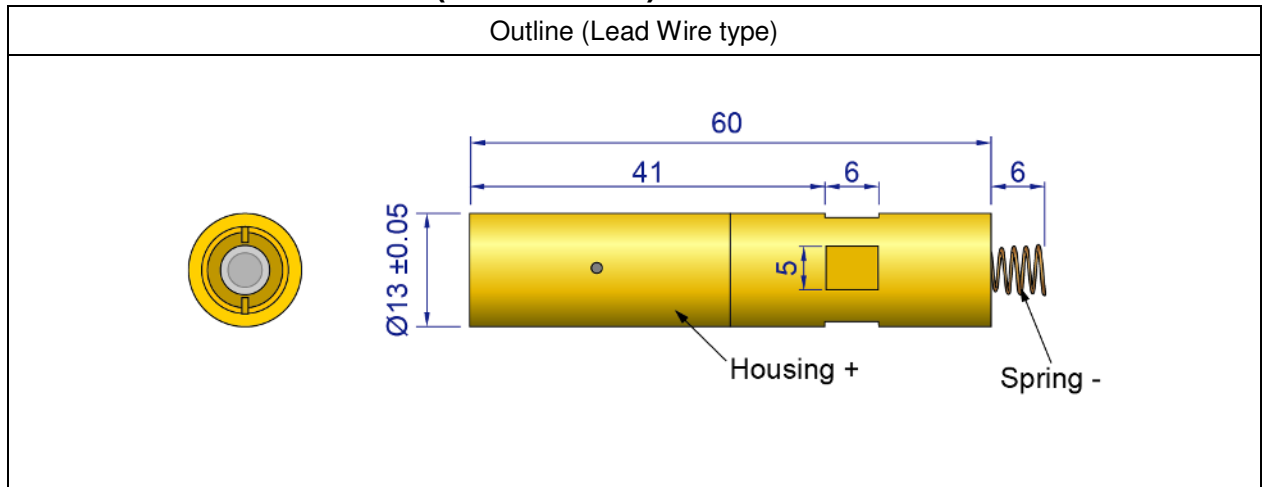


LPB 、 LPC:



VLM-532-43 Series

OUTLINE DIMENSIONS (UNITS: mm)



SPECIFICATIONS

SPECIFICATIONS		VLM-532-43			
		SPT	SPA	SPB	SPC
1	Dimensions	Ø13 x 60 mm (Ø0.512" x 2.362")			
2	Operating voltage (Vop)	2.7~3.3 VDC			
3	Operating current (Iop)	Less than 300mA			
4	Laser power output	Less than 1mW	1~5mW	5~10mW	10~15mW
5	Laser class	Class II	Class IIIa	Class IIIb	
6	Wavelength at peak emission (λp)	532nm			
7	Collimating lens	Multiple glass Lenses			
8	Beam shape	Circular			
9	Spot size	4±1 mm@5M, 18±2 mm@30M			
10	Divergence(Half angle)	0.3 mRad			
11	Beam alignment	Less than 3°			
12	Operating temp. range*	+15°C ~+35°C			
13	Storage temp. range	-40°C ~+70°C			
14	Housing	Brass			
15	Potential housing**	VDD(+)			
16	Electrostatic discharge (ESD)	30KV			
17	Moisture sensitivity level (MSL)	Level 1 - acc to JEDEC J-STD-020E.			
18	Connection type	Spring			
19	Cable length	6±1mm			
20	Mean time to failure (MTTF) 25°C	3000 hrs			

VLM-532-43 Series

21	Application	DPPS laser
22	Suggestion work distance	1~30 meters / 3~100 feet

* Operation temperature: it means within this temperature range, the laser spot/line will not be affected to change the spot size/line width. It can still work over this range, but the laser spot size or laser line width will be larger.

** Laser module housing is an electrical positive surface, it is imperative that contact between the laser module and the machine be avoided. This is to prevent damage from the machine electrical leakage. Surge protected power supply to the laser module is strongly recommended.

ORDER CODE

Order Code	Wavelength	Laser Power Output	Laser Class	Connection Type
VLM-532-43 SPT	532 nm	Less than 1mW	Class II	Spring
VLM-532-43 SPA	532 nm	1~5mW	Class IIIa	Spring
VLM-532-43 SPB	532 nm	5~10mW	Class IIIb	Spring
VLM-532-43 SPC	532 nm	10~15mW	Class IIIb	Spring

SAFETY LABEL

LPT:



LPA:



LPB、LPC:

