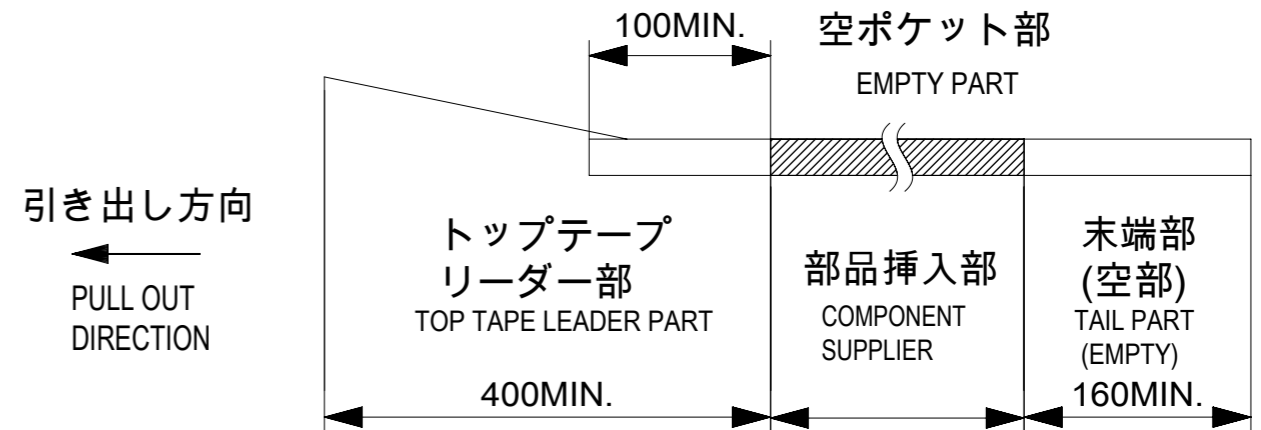


NOTES

- 梱包数量 : 1500個 / リール  
NUMBER OF CONNECTORS : 1500 PCS/REEL.
- リードテープ長さ  
LEAD TAPE LENGTH

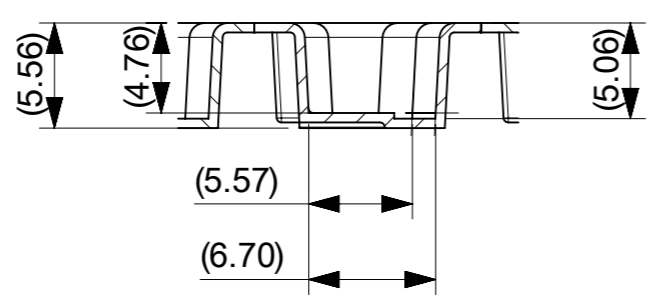
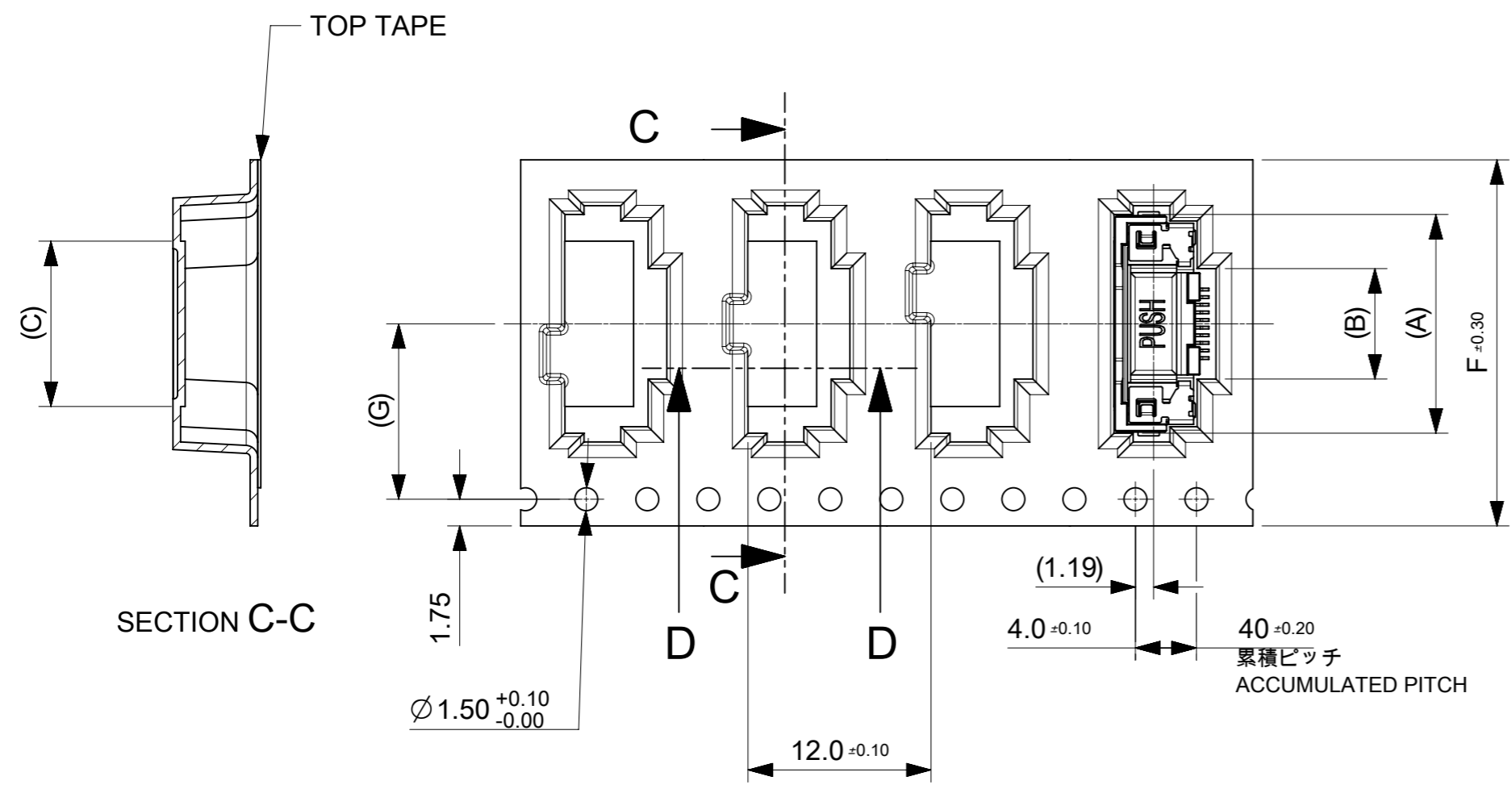


- カバーテープの剥離強度については、IEC60286-3に準拠。  
TOP TAPE PEEL FORCE IS DEFINED BY IEC 60286-3.
- 製品詳細寸法については、図面 2004851400を参照下さい。  
FOR DIMENSIONS OF PRODUCT, REFER TO 2004851400
- 材料 MATERIAL  
キャリアテープ : ポリスチレン  
CARRIER TAPE : POLYSTYRENE  
トップテープ : ポリエチレンテレフタレート、ポリエチレン  
TOP TAPE : POLYETHYLENE TEREPHTHALATE, POLYETHYLENE  
リール : ポリスチレン<リサイクル材を含む>  
REEL: POLYSTYRENE RECYCLED MATERIAL CONTAINED
- ELV及びRoHS適合品 ELV AND RoHS COMPLIANT.

THIS DRAWING CONTAINS INFORMATION THAT IS PROPRIETARY TO MOLEX ELECTRONIC TECHNOLOGIES, LLC AND SHOULD NOT BE USED WITHOUT WRITTEN PERMISSION		CURRENT REV DESC:		<b>molex</b>		
DIMENSION UNITS	SCALE					
mm	NTS			EMB PKG ONE-TOUCH RA		
GENERAL TOLERANCES (UNLESS SPECIFIED)				PRODUCT CUSTOMER DRAWING		
ANGULAR TOL	± 1.0 °			DOCUMENT NUMBER		
4 PLACES	± 0.1	EC NO: 648126		2004850400		
3 PLACES	± 0.1	DRWN: TYAMANE		PSD		
2 PLACES	± 0.1	CHK'D: YMATSUMOTO		000		
1 PLACE	± 0.1	APPR: SHOSHIKAWA		B		
0 PLACES	± 0.1	INITIAL REVISION:		REVISION		
DRAFT WHERE APPLICABLE MUST REMAIN WITHIN DIMENSIONS		THIRD ANGLE PROJECTION	DRAWING	SERIES	MATERIAL NUMBER	CUSTOMER
			A3-SIZE	200485	SEE TABLE	GENERAL
						SHEET NUMBER
						1 OF 3

引き出し方向  
PULL OUT  
DIRECTION

TOP TAPE

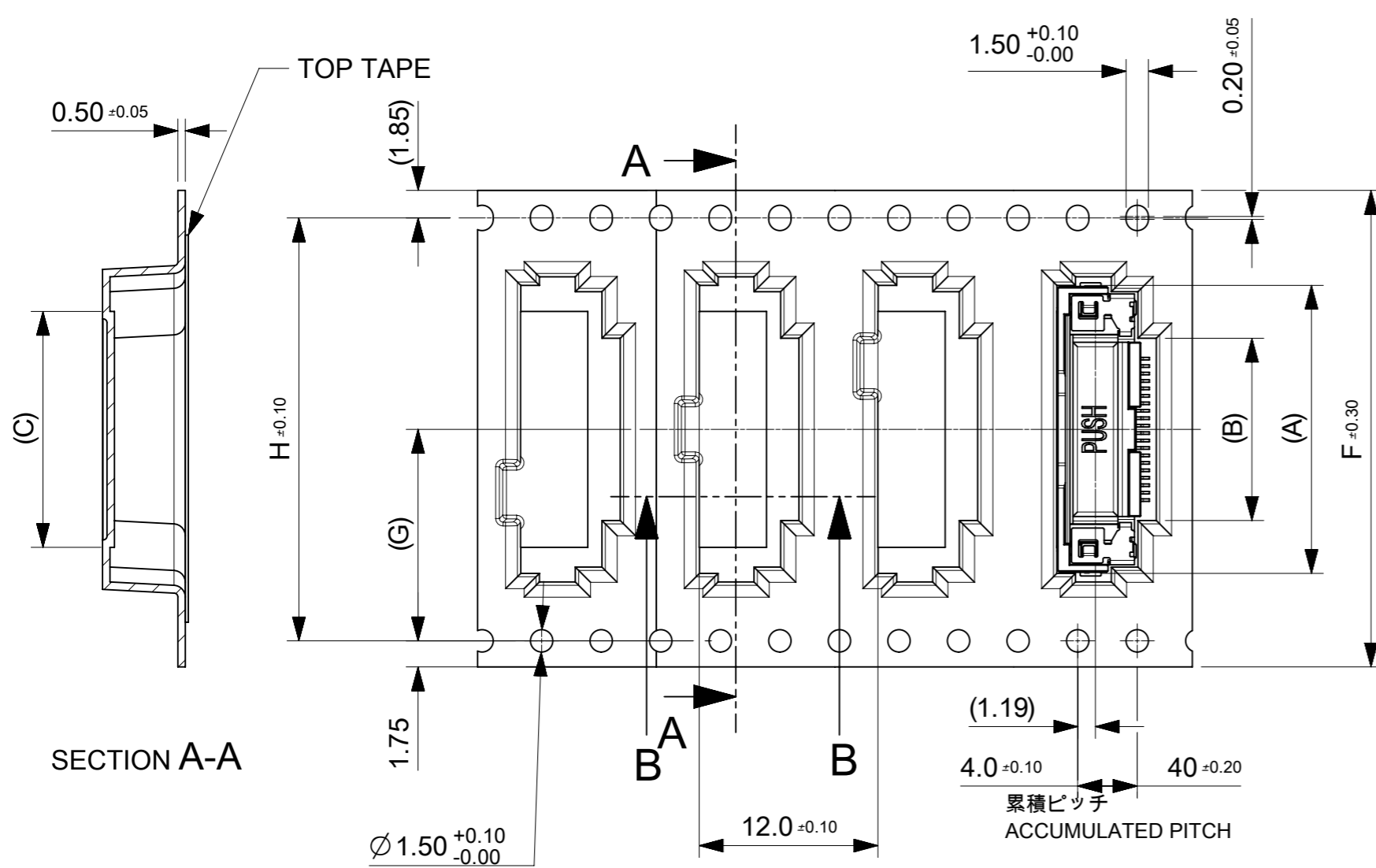


11.5	24	29.4	25.4	10.84	7.04	14.34	2004850410	10
G	F	E	D	C	B	A	EMBOSSED PACKAGE	Ckt
							オーダー番号 ORDER NO.	

THIS DRAWING CONTAINS INFORMATION THAT IS PROPRIETARY TO MOLEX ELECTRONIC TECHNOLOGIES, LLC AND SHOULD NOT BE USED WITHOUT WRITTEN PERMISSION														
DIMENSION UNITS mm		SCALE NTS		CURRENT REV DESC:						<b>molex</b>				
GENERAL TOLERANCES (UNLESS SPECIFIED)				EC NO: 648126 DRWN: TYAMANE 2020/10/15 CHK'D: YMATSUMOTO 2020/10/30 APPR: SHOSHIKAWA 2020/11/02										
ANGULAR TOL ± 1.0 °				PRODUCT CUSTOMER DRAWING						DOCUMENT NUMBER				
4 PLACES ± 0.1		3 PLACES ± 0.1		2 PLACES ± 0.1		1 PLACE ± 0.1		0 PLACES ± 0.1		2004850400		DOC TYPE	DOC PART	REVISION
INITIAL REVISION:				DRWN: TYAMANE 2018/09/28		APPR: SHOSHIKAWA 2020/06/08		PSD		000		B		
DRAFT WHERE APPLICABLE MUST REMAIN WITHIN DIMENSIONS		THIRD ANGLE PROJECTION		DRAWING A3-SIZE		SERIES 200485		MATERIAL NUMBER SEE TABLE		CUSTOMER GENERAL		SHEET NUMBER 2 OF 3		

CONNECTOR NO. 20048514\*\*

引き出し方向  
PULL OUT  
DIRECTION

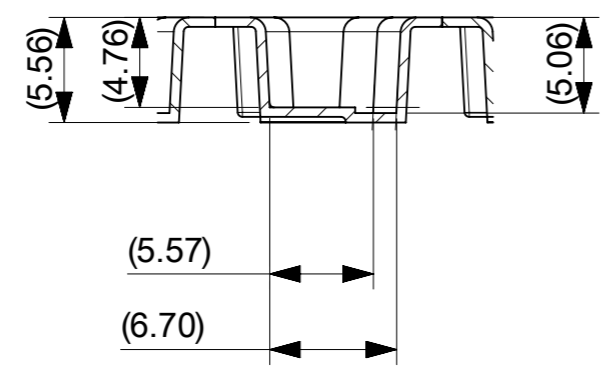


1.50 <sup>+0.10</sup>/<sub>-0.00</sub> 0.20 ±0.05

(1.19) 4.0 ±0.10 40 ±0.20  
累積ピッチ  
ACCUMULATED PITCH

∅1.50 <sup>+0.10</sup>/<sub>-0.00</sub>

68.4	34.2	72	78.1	73.5	45.84	42.04	49.34	2004850480	80
					40.84	37.04	44.34	2004850470	70
52.4	26.2	56	61.4	75.4	35.84	32.04	39.34	2004850460	60
					31.34	27.54	34.84	2004850451	51
					30.84	27.04	34.34	2004850450	50
40.4	20.2	44	49.4	45.4	25.84	22.04	29.34	2004850440	40
					23.34	19.54	26.84	2004850435	35
					20.84	17.04	24.34	2004850430	30
28.4	14.2	32	37.4	33.4	15.84	12.04	19.34	2004850420	20
H	G	F	E	D	C	B	A	EMBOSSED PACKAGE	Ckt
								オーダー番号 ORDER NO.	

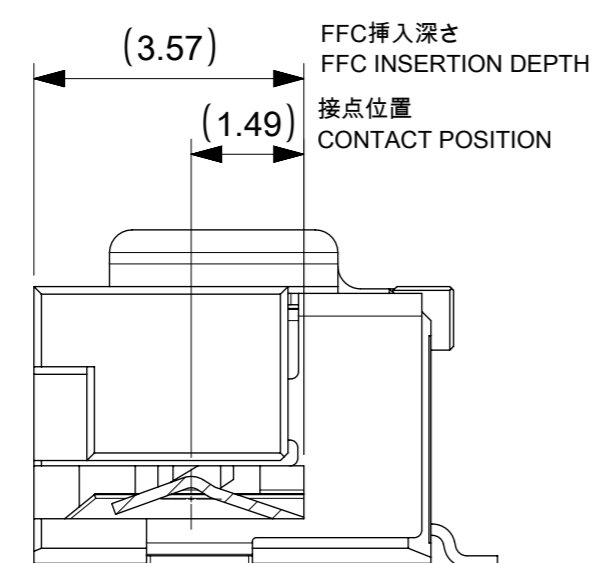
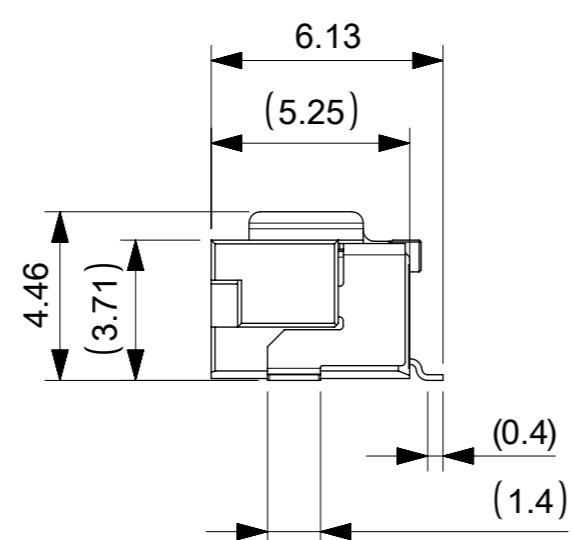
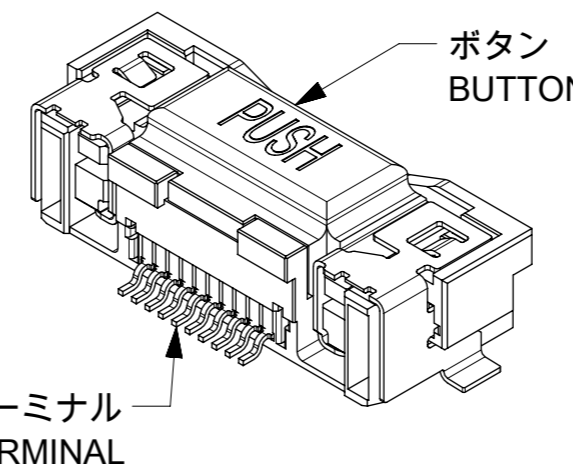
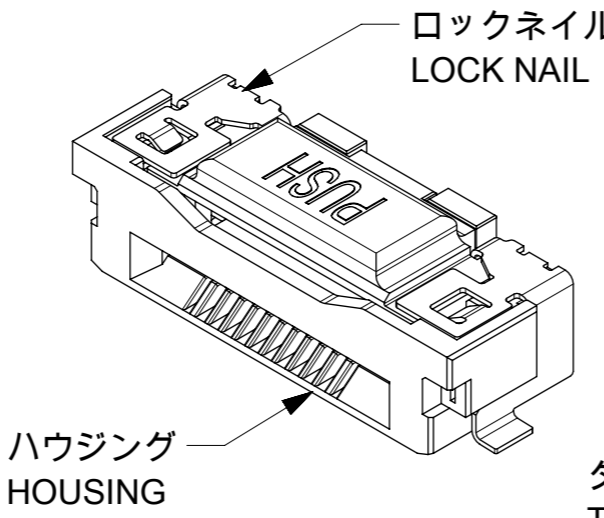
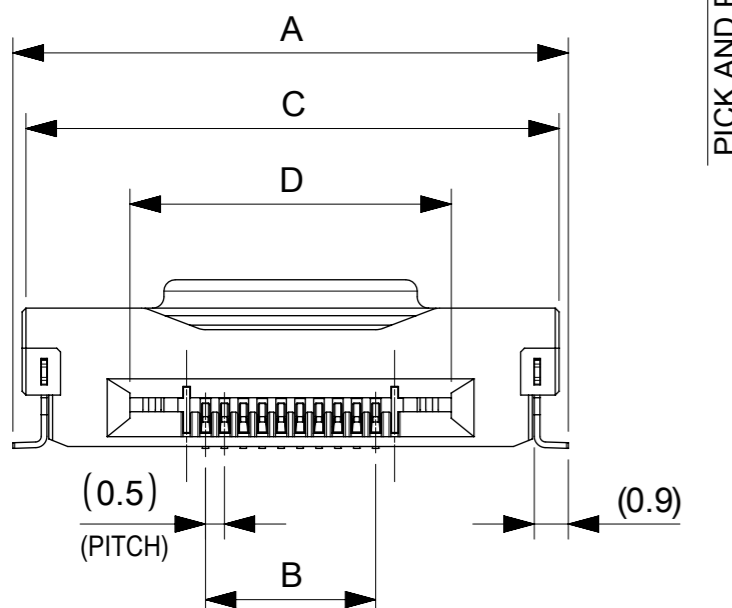
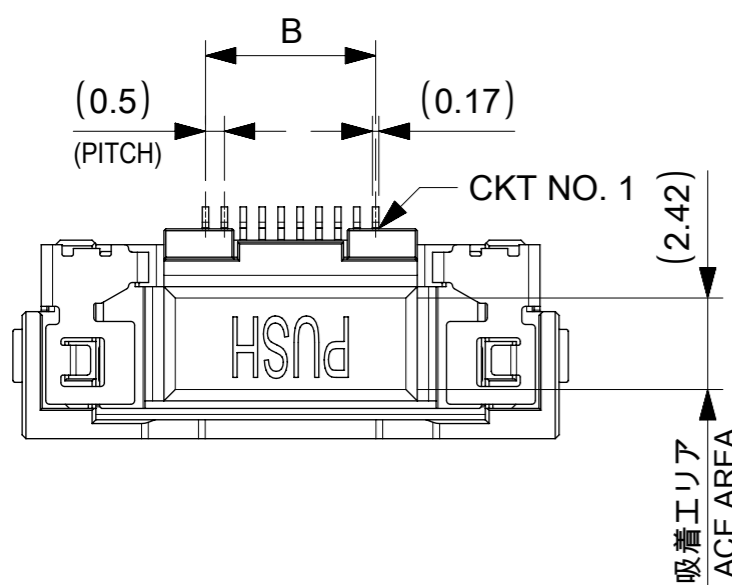


SECTION B-B

CONNECTOR NO. 20048514\*\*

THIS DRAWING CONTAINS INFORMATION THAT IS PROPRIETARY TO MOLEX ELECTRONIC TECHNOLOGIES, LLC AND SHOULD NOT BE USED WITHOUT WRITTEN PERMISSION

DIMENSION UNITS	SCALE	CURRENT REV DESC:			<b>molex</b>					
mm	NTS									
GENERAL TOLERANCES (UNLESS SPECIFIED)					EMB PKG ONE-TOUCH RA					
ANGULAR TOL ± 1.0°					PRODUCT CUSTOMER DRAWING					
4 PLACES	± 0.1	EC NO: 648126	2020/10/15	DOCUMENT NUMBER						
3 PLACES	± 0.1	DRWN: TYAMANE	2020/10/30				2004850400	PSD	000	
2 PLACES	± 0.1	CHK'D: YMATSUMOTO	2020/11/02	CUSTOMER	GENERAL	REVISION				
1 PLACE	± 0.1	APPR: SHOSHIKAWA					SHEET NUMBER	3 OF 3	B	
0 PLACES	± 0.1	INITIAL REVISION:								
DRAFT WHERE APPLICABLE MUST REMAIN WITHIN DIMENSIONS					THIRD ANGLE PROJECTION	DRAWING	SERIES	MATERIAL NUMBER	CUSTOMER	SHEET NUMBER
						A3-SIZE	200485	SEE TABLE	GENERAL	3 OF 3



NOTES:  
 1.使用材料 MATERIAL  
 ハウジング: 液晶ポリマー, ガラス充填, UL94V-0(黒)  
 HOUSING: LIQUID CRYSTAL POLYMER, GLASS FILLED, UL94V-0(BLACK)  
 ボタン: 液晶ポリマー, ガラス充填, UL94V-0(ナチュラル)  
 BUTTON: LIQUID CRYSTAL POLYMER, GLASS FILLED, UL94V-0(NATURAL)  
 ターミナル: 銅合金(t=0.15)  
 TERMINAL: COPPER ALLOY  
 ロックネイル: 銅合金(t=0.15)  
 LOCK NAIL: COPPER ALLOY  
 2.めっき仕様 PLATING  
 ターミナル TERMINAL  
 接点部: 金めっき 0.1μm以上  
 CONTACT AREA: GOLD 0.1 MICROMETER MINIMUM  
 半田付け部: 金めっき  
 SOLDER TAIL AREA: GOLD  
 下地めっき: ニッケル 1.0μm以上  
 UNDERPLATE: NICKEL 1.0 MICROMETER MINIMUM  
 ロックネイル LOCK NAIL  
 錫めっき(1.0μm以上)  
 TIN PLATING (1.0 MICROMETER MIN.)  
 3.平坦度は0.1ミリ以下とする。  
 COPLANALITY TO BE 0.1 MAXIMUM.

1.302	43.5	49.2	39.5	49.69	2004850480	80
1.195	38.5	44.2	34.5	44.69	2004850470	70
1.054	33.5	39.2	29.5	39.69	2004850460	60
0.958	29	34.7	25	35.19	2004850451	51
0.942	28.5	34.2	24.5	34.69	2004850450	50
0.796	23.5	29.2	19.5	29.69	2004850440	40
0.702	21	26.7	17	27.19	2004850435	35
0.650	18.5	24.2	14.5	24.69	2004850430	30
0.505	13.5	19.2	9.5	19.69	2004850420	20
0.359	8.5	14.2	4.5	14.69	2004850410	10
NET WEIGHT (g)	D	C	B	A	EMBOSSED PACKAGE	CIRCUIT

CONNECTOR SERIES NO. 20048514\*\*

THIS DRAWING CONTAINS INFORMATION THAT IS PROPRIETARY TO MOLEX ELECTRONIC TECHNOLOGIES, LLC AND SHOULD NOT BE USED WITHOUT WRITTEN PERMISSION

DIMENSION UNITS mm	SCALE 5:1	CURRENT REV DESC:		<b>molex</b>		
GENERAL TOLERANCES (UNLESS SPECIFIED)		EC NO: 751302				
ANGULAR TOL	± 1.0°	DRWN: SISUZUKI		2022/10/21		
4 PLACES	± 0.1	CHK'D: HSHIMUYAMA		2023/06/02		
3 PLACES	± 0.1	APPR: YNAITO		2023/06/02		
2 PLACES	± 0.1	INITIAL REVISION:		DOCUMENT NUMBER		
1 PLACE	± 0.1	DRWN: TYAMANE		2004851400		
0 PLACES	± 0.1	APPR: SHOSHIKAWA		PSD 000 D		
DRAFT WHERE APPLICABLE MUST REMAIN WITHIN DIMENSIONS		THIRD ANGLE PROJECTION	DRAWING	SERIES	MATERIAL NUMBER	CUSTOMER
			A3-SIZE	200485	SEE TABLE	GENERAL
						SHEET NUMBER
						1 OF 2

