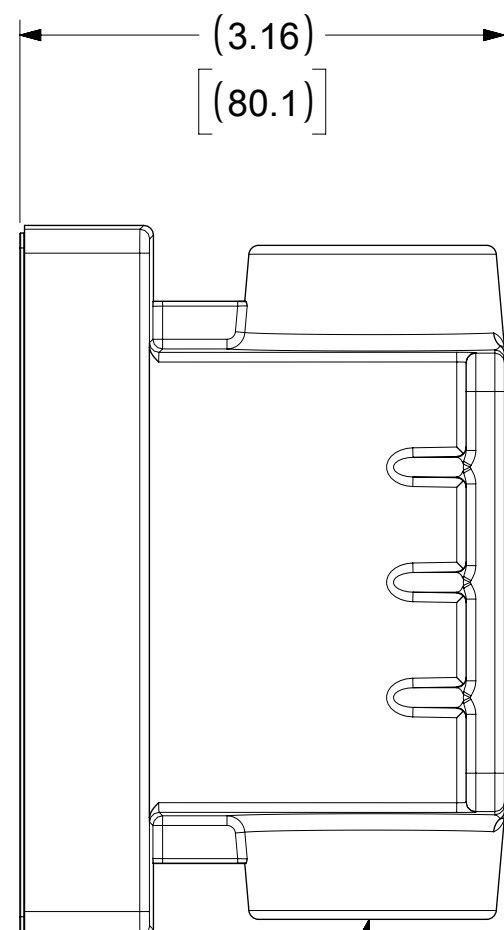
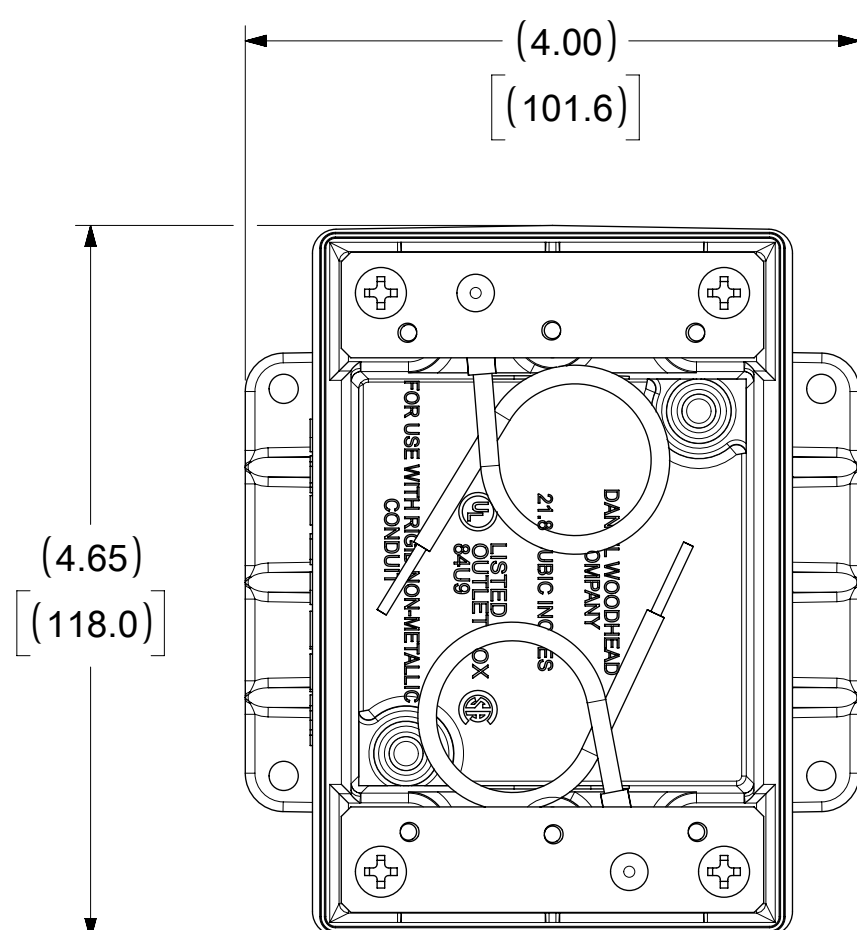
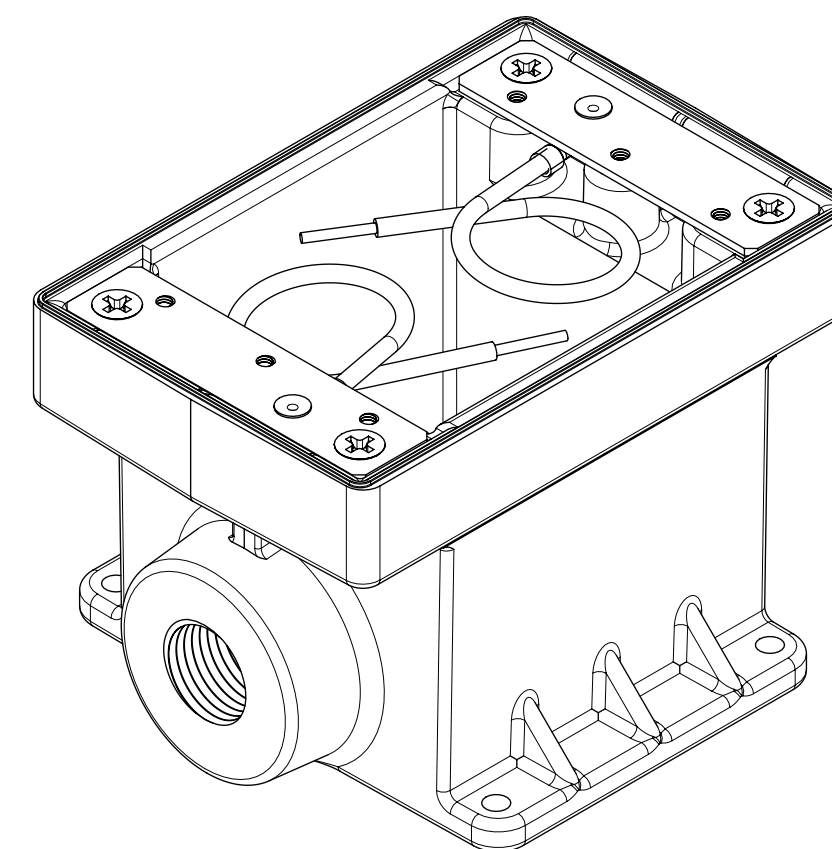


ORDER NO.	PART NO.	THREAD DIA	COLOR
130128-0113	452	1/2"	GRAY
130128-0114	452CR	1/2"	YELLOW
130128-0115	453	3/4"	GRAY
130128-0116	453CR	3/4"	YELLOW
130128-0119	454CR	1"	YELLOW



THREAD DIA
BOTH SIDES

ITEM NO.	DESCRIPTION	MATERIAL	QTY.
1	F.D. BOX	BMC	1
2	RIVET	STAINLESS STEEL	2
3	JUMPER ASSY	COPPER, BRASS	2
4	MOUNTING PLATE	STAINLESS STEEL	2
5	SCREWS	STAINLESS STEEL	4

THIS DRAWING CONTAINS INFORMATION THAT IS PROPRIETARY TO MOLEX ELECTRONIC TECHNOLOGIES, LLC AND SHOULD NOT BE USED WITHOUT WRITTEN PERMISSION

DIMENSION UNITS INCH[MM]		SCALE NTS		CURRENT REV DESC: REMOVED OBSOLETE PART NUMBER AS PER PCN#511695.		molex							
GENERAL TOLERANCES (UNLESS SPECIFIED)				EC NO: 730178						F.D. BOX FOR SURFACE OR RECESS MOUNTING			
4 PLACES	±	MM	±	INCH	±	DRWN: SANTHN	2022/11/30	PRODUCT CUSTOMER DRAWING					
3 PLACES	±	MM	±	INCH	±	CHK'D: GGA	2023/01/04	DOCUMENT NUMBER					
2 PLACES	±	MM	±	INCH	±	APPR: GGA	2023/01/04	1301280113					
1 PLACE	±	MM	±	INCH	±	INITIAL REVISION:		DOC TYPE DOC PART REVISION					
0 PLACES	±	MM	±	INCH	±	DRWN: VBASUTHKARP	2019/12/26	PSD 000 A1					
ANGULAR TOL ± °		THIRD ANGLE PROJECTION		DRAWING		SERIES		MATERIAL NUMBER		CUSTOMER		SHEET NUMBER	
DRAFT WHERE APPLICABLE MUST REMAIN WITHIN DIMENSIONS				C-SIZE		130128		SEE TABLE		GENERAL MARKET		1 OF 1	