

THIS DRAWING IS UNPUBLISHED. RELEASED FOR PUBLICATION  
 © COPYRIGHT BY TYCO ELECTRONICS CORPORATION. ALL RIGHTS RESERVED.

LOC	DIST	REVISIONS					
		P	LTR	DESCRIPTION	DATE	DWN	APVD
J	—		D	REVISED PER ECR-20-100358	20AUG2020	BDA	SW

- 注記：  
 1. 一般公差：±0.3, ±3°  
 △ かん合相手製品型番：TABLE参照  
 3. 適用コンタクト型番：177917-X(AWG#20-#16)  
 177916-X(AWG#26-#22)  
 4. 適用ダブルロックプレート型番：X-316061-X  
 5. 適用パネル厚：0.8~2.0 (FIG.1参照)  
 6. 金属パネルの場合、コネクタ取付方向を  
 パンチ加工方向にしてください  
 7. プラスチックパネルの場合、穴端部にRなき様  
 御配慮下さい

- NOTES:  
 1. GENERAL TOLERANCE : ±0.3, ±3°  
 △ MATING CONN. P/N : SEE TABLE  
 3. APPLICABLE CONTACT P/N : 177917-X(AWG#20-#16)  
 177916-X(AWG#26-#22)  
 4. APPLICABLE DOUBLE LOCK PLATE P/N: X-316061-X  
 5. APPLICABLE PANEL THICKNESS: 0.8~2.0 (SEE FIG.1)  
 6. INSERT CONN. FROM PRESS DIRECTION SIDE FOR METAL PANEL.  
 7. EDGE OF THICKNESS WAY MUST NOT ROUND FOR MOLDED  
 PANEL.

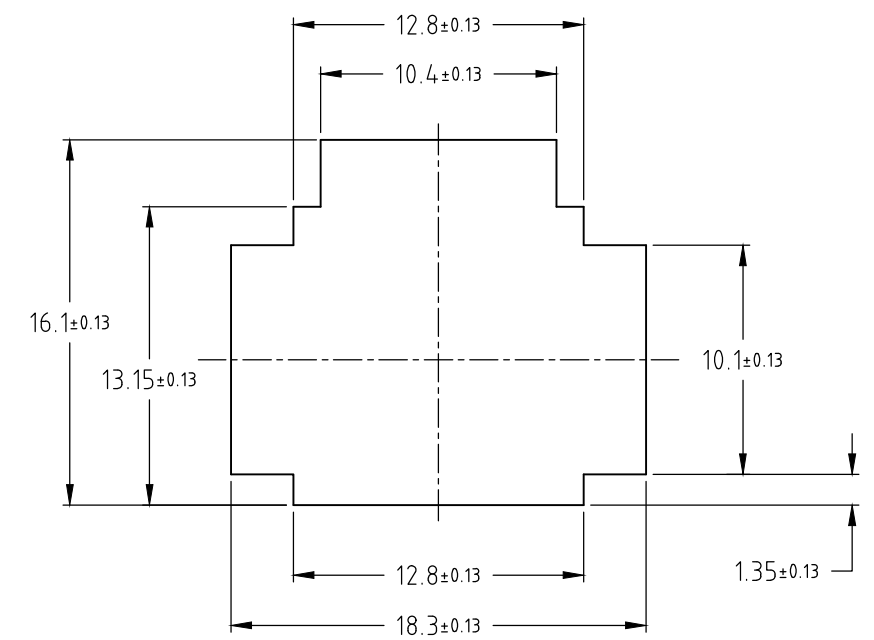
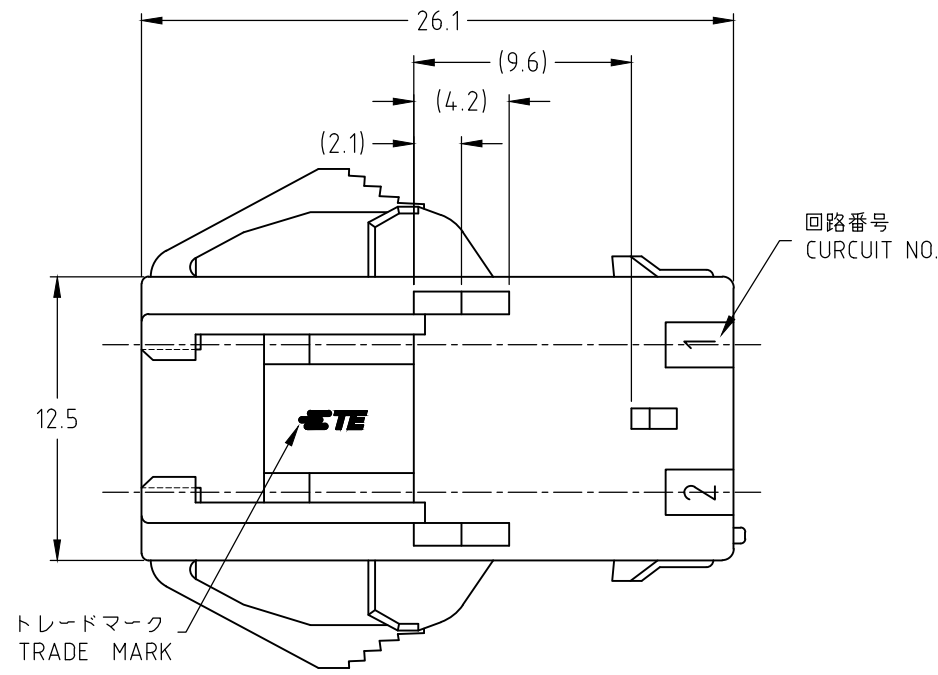
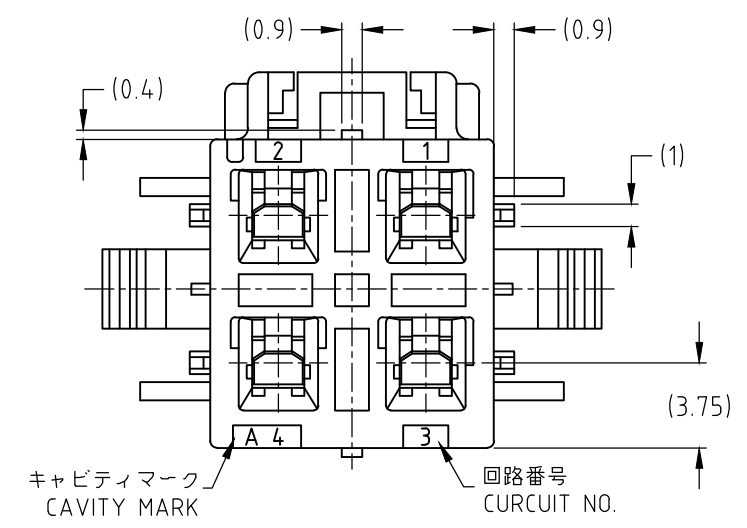
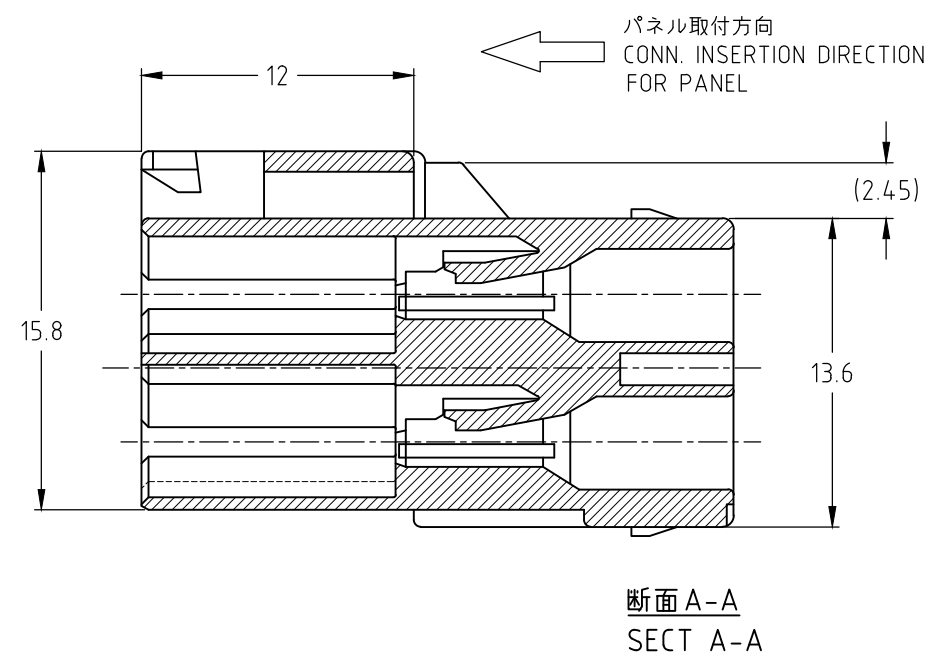
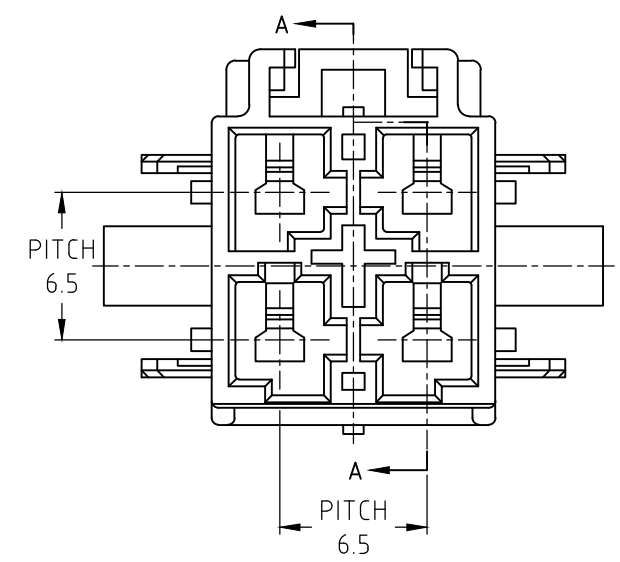


FIG 1. パネル取付穴寸法  
 FIG 1. RECOMMENDED PANEL OPENING DIMENSION



X-179861-X	自然色 NATURAL	4	1903486-1
かん合相手型番 MATING CONN. P/N	色調 COLOR	極数 POS	型番 PART NUMBER

THIS DRAWING IS A CONTROLLED DOCUMENT.		DWN J.SATO 27SEP2006		
DIMENSIONS: 単位: 耗 mm		CHK N.YAMASAKI 27SEP2006		
TOLERANCES UNLESS OTHERWISE SPECIFIED: 一般公差		APVD N.YAMASAKI 27SEP2006	NAME 名称	
0 PLC ± ALL TOLERANCES 1 PLC ± AT ± 0.3 2 PLC ± 3 PLC ± 4 PLC ± ANGLES ± 3°		PRODUCT SPEC 製品規格	AMP POWER DOUBLE LOCK CONN. 6.5MM PITCH CAP HOUSING 4POS (PANEL MOUNT)	
MATERIAL 材料 PA66 (UL94V-0)		FINISH 仕上	APPLICATION SPEC 取付適用規格	RESTRICTED TO
WEIGHT		SIZE A3	CAGE CODE 00779	DRAWING NO 番号 C-1903486
CUSTOMER DRAWING		SCALE 尺度 3:1	SHEET 1 OF 1	REV D