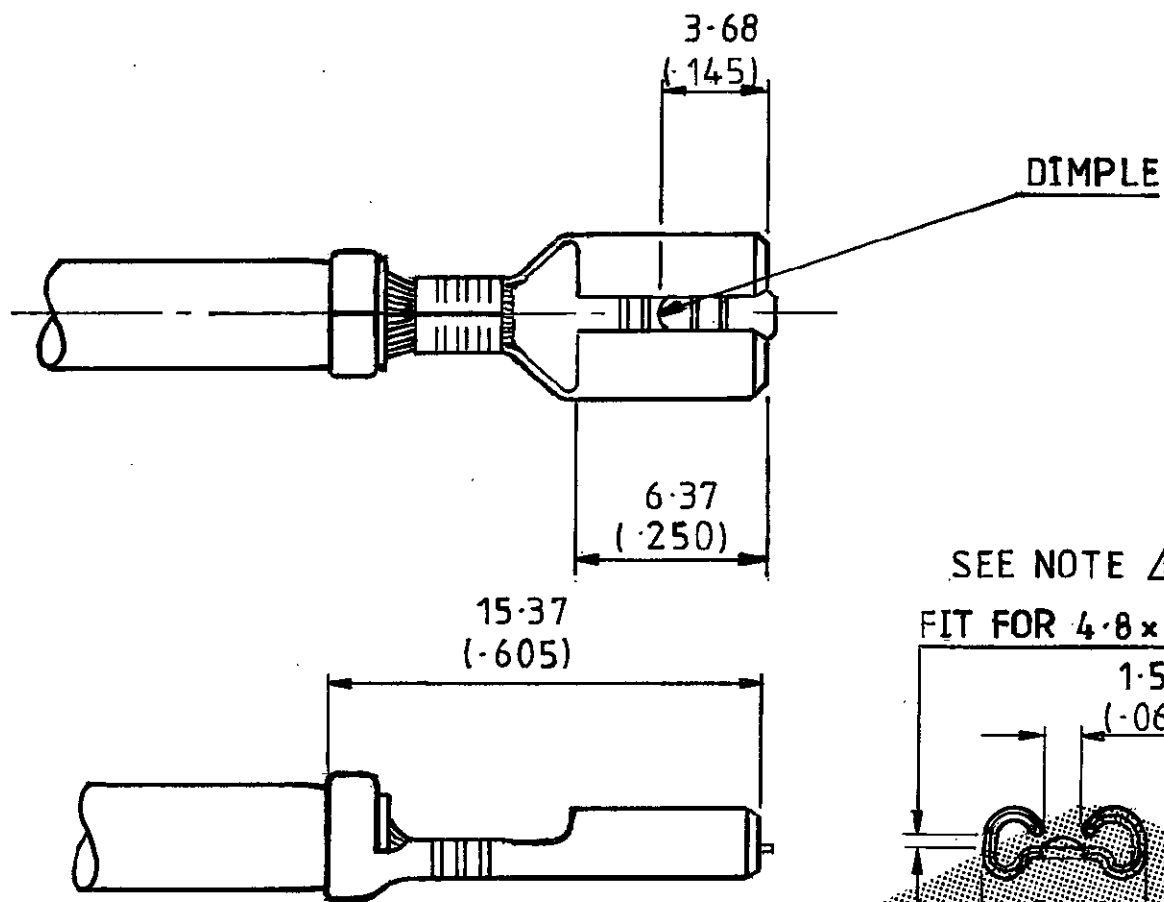


DO NOT SCALE

DIMENSIONS IN m.m.

(IMPERIAL IN BRACKETS)

METRIC



SEE NOTE Δ
FIT FOR 4-8 x 0-81 (.187 x .032) TAB

5-61
(.221)

SEE NOTE
SEE NOTE
SEE NOTE

SEE NOTE

Δ MAX. INSERTION FORCE
33N (7.5 lbf) WITH 0-81 TAB.

Δ TO SUIT 4-8 x 0-51 (.187 x 0-020) TAB
(PART NO 150681-8)

| LOOSE PIECE | FINISH | MATERIAL | PART NUMBER |
|-------------|-------------|---------------|-------------|
| | NONE | BRASS | 1-150681-3 |
| | ELECTRO-TIN | PHOS. BRONZE | 1-150681-2 |
| | NONE | PHOS. BRONZE | 1-150681-1 |
| | | | |
| | NONE | NICKEL SILVER | 150681-8 |
| | NONE | NICKEL SILVER | 150681-7 |
| | NICKEL | STEEL | 150681-6 |
| | NONE | STEEL | 150681-5 |
| 151457-4 | ELECTRO-TIN | BRASS | 150681-4 |
| 151457-3 | NONE | BRASS | 150681-3 |
| 151457-2 | ELECTRO-TIN | PHOS. BRONZE | 150681-2 |
| 151457-1 | NONE | PHOS. BRONZE | 150681-1 |

CUSTOMER DWG FOR REFERENCE ONLY

| ISS | REVISION RECORD | DR | DATE | ISS | REVISION RECORD | DR | DATE |
|-----|-----------------|----|------|-----|----------------------|------|----------|
| | | | | F | REDRAWN | D.M. | 10-5-82 |
| | | | | E | -7 ADDED | D.M. | 1-8-79 |
| | | | | D | -5 & 6 ADDED | P.S. | 2-11-76 |
| | | | | J | C 5031 | ABH | 24-8-88 |
| | | | | H | 1-150681-8 ADDED | DAB | 3.3.87 |
| | | | | G | 1-150681-1,2,3 ADDED | DAB | 22.9.86 |
| | | | | C | CHAMFER ADDED | P.S. | 10-10-74 |
| | | | | B | -4 ADDED | P.S. | 25-9-73 |
| | | | | A | TABLE UPDATED | | 6-3-73 |

THIS DRAWING IS UNPUBLISHED | RELEASED FOR PUBLICATION 1963BP
 © COPYRIGHT 19 BY AMP OF GREAT BRITAIN LTD. ALL INTERNATIONAL RIGHTS RESERVED. AMP PRODUCTS MAY BE COVERED BY BRITISH AND FOREIGN PATENTS AND/OR PATENTS PENDING.

| | | | |
|--|--------------------------------|----------------------------|-------------------------|
| TOLERANCES UNLESS OTHERWISE STATED:- DEC ± 0,5 ANGLES ± 1° | INS. DIA. RANGE .090 - .130 | WIRE RANGE 20 - 16 AWG. | SCALE 4:1 |
| AMP of Great Britain Ltd. TERMINAL HOUSE, STANMORE, MIDDX. | | | |
| NAME WIRE TERMINAL .187 SERIES FASTON REECEPLE | | | |
| CHK. <i>M. V. V.</i> | DR. A. B. HAYDEN | LOC. E | DWG. NO. C150681 |
| APP. <i>M. V. V.</i> | | SHEET | 1 of 1 |