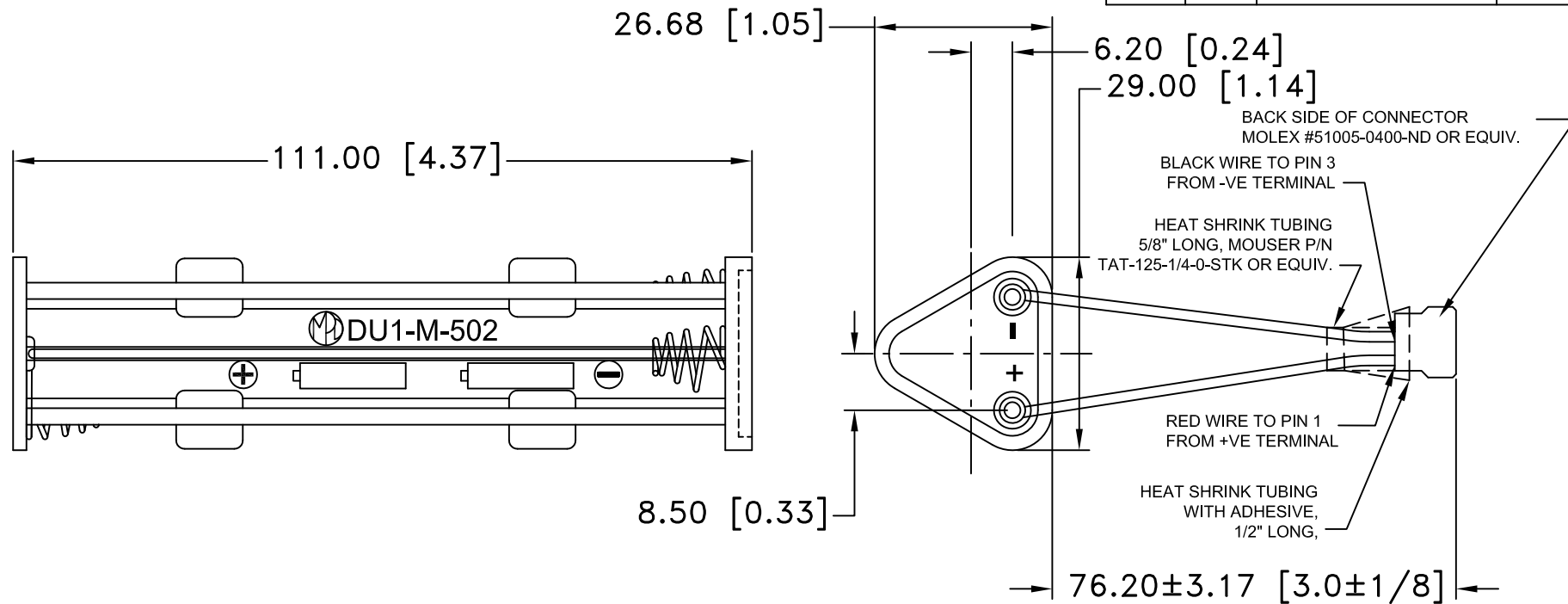



| Date | SYM | REVISION RECORD | AUTH | DR. | CK. |
|----------|-----|--|------|------|-----|
| 10/08/05 | C | Changed to Heat Shrink tubing w/adhesive | T.B. | B.S. | |
| 11/05/05 | D | Added note #9 | T.B. | B.S. | |
| 4/22/06 | E | Added "ROHS COMPLIANT" | T.B. | B.S. | |
| 12/05/14 | F | Updated to ROHS 2 Compliant | T.B. | B.S. | |
| | | | | | |



NOTES:

- HOUSING: POLYPROPYLENE WITH 10% TALC.
- LUGS: BRASS, NICKEL PLATED.
- BUMP PLATES: MILD STEEL G3141 NICKEL PLATED.
- EYELETS: BRASS, NICKEL PLATED.
- SPRINGS: HARD DRAWN STEEL WIRE JIS G 3521 NICKEL PLATED.
- WIRE: BLACK AND RED, 2 5/8 ± 1/8 LONG
- CONNECTOR: MOLEX OR EQUIV.
MOLEX #51005-0400-ND OR EQUIV.
FEMALE 4-PIN CONNECTOR. PIN CENTERS=.079".
- CONTACTS: MOLEX OR EQUIV.
MOLEX #50013
- CRIMP TERMINAL CONNECTIONS FOR WIRES
- ROHS 2 COMPLIANT

| | | | |
|--------------------------------|---|-----------------------------------|--|
| Tolerance (Except as noted) |  Memory Protection Devices, Inc 200 Broad Hollow Road, Farmingdale, New York 11735 | | |
| decimal ±.5 (.020) | Scale | Drawn By B.S. | |
| Fractional ± .8 (.030) | Title | Approved By T.B. | |
| Angular ± 3° | Date 12/05/14 | Drawing Number BK-5075 | |
| | | SIX "AA" SIZE CELL BATTERY HOLDER | |