



Electrical Specifications

Center Frequency: 4675 MHz
Bandwidth: 554 MHz
Passband: 4398-4952 MHz
Insertion Loss in Passband: 2.5 dB Max
VSWR in Passband: 1.70:1 Max
Ripple in Passband: 0.5 dB Max
Rejection: >60 dB @ 1575 MHz
>23 dB @ 5250 MHz
Power Handling: 5 Watt
Impedance: 50 Ω

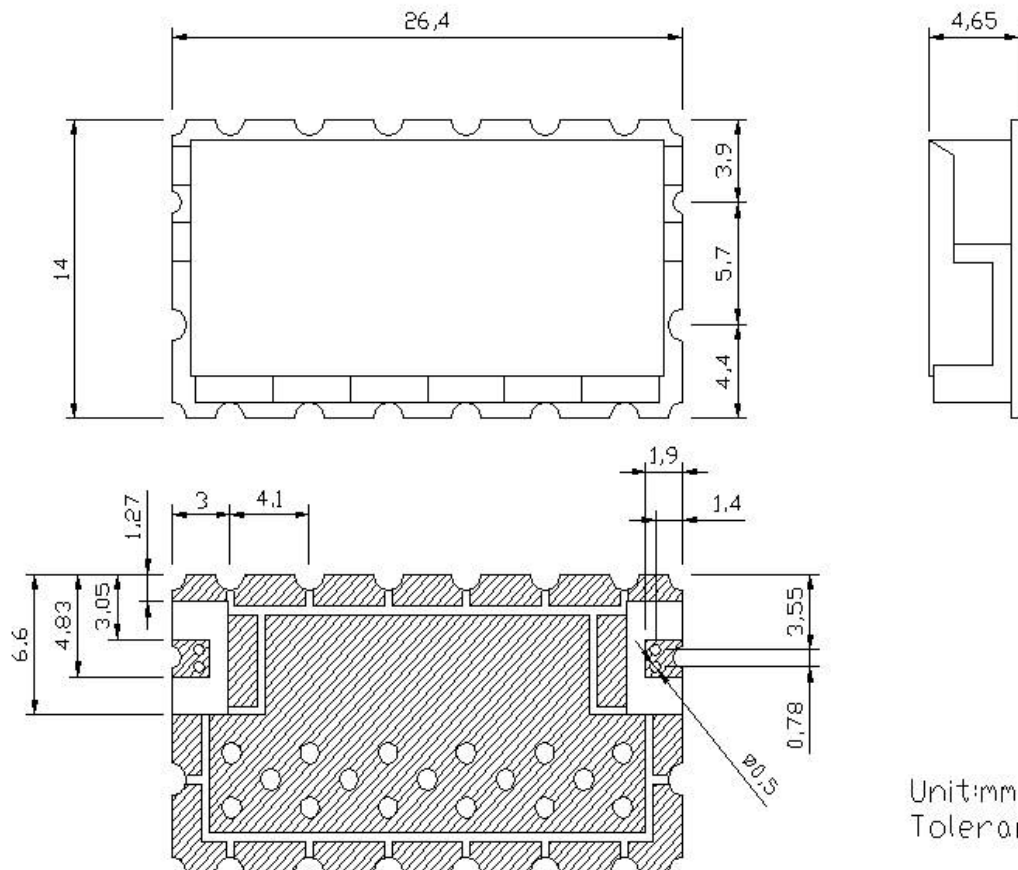
Mechanical

Mounting Method: SMT
Dimensions: 26.4 x 14 x 4.65 mm

Environmental

Operating Temperature: -40 to +85° C
Storage Temperature: -65 to +125° C
Shock: 20 G
Vibration: 10 G

Outline Drawing:



Unit:mm
Tolerance:±0.3