

Connector set - DC-B 6-SET-WF-M25R-M-7X4-UT - 1602258

Please be informed that the data shown in this PDF Document is generated from our Online Catalog. Please find the complete data in the user's documentation. Our General Terms of Use for Downloads are valid (<http://phoenixcontact.com/download>)



Duplicon, aluminum panel feed-through set with a panel mounting base, with a stackable housing with M25 cable screw connection thread (without cable screw connection), with two contact inserts 6 x 4 mm² + PE, 400/690 V, 25 A, screw connection and a housing cover, type B6, IP67 protection



Key Commercial Data

Packing unit	1 pc
Weight per Piece (excluding packing)	448.1 g
Custom tariff number	85366990
Country of origin	Germany

Technical data

Dimensions

Height	77 mm
Length of the assembly cutout	55 mm
Width of the assembly cutout	55 mm

Ambient conditions

Degree of protection	IP65/IP66/IP67
Ambient temperature (operation)	-40 °C ... 100 °C

Electrical characteristics

Rated voltage (III/3)	400 V (L-PE)
	690 V (L-L)
Rated surge voltage	6 kV
Rated current	25 A (with 4 mm ² conductor cross section)
Maximum load current	32 A (L1/L2/L3)
Overvoltage category	III
Pollution degree	3

Connector set - DC-B 6-SET-WF-M25R-M-7X4-UT - 1602258

Technical data

Material data

Contact material	Cu
Contact surface material	Ag
Contact carrier material	PA
Housing material	Aluminum die-cast
Housing surface material	EMC-conductive
Seal material	NBR
Locking latch material	Stainless steel
Material grip body interlock	PA

General

Type	DC-B6
Color	pearl gray
Insertion/withdrawal cycles	≥ 100
Number of positions	6
Stripping length of the individual wire	10 mm
Conductor cross section	0.2 mm ² ... 4 mm ² (6 mm ² without ferrule)
Connection cross section AWG	24 ... 12 (AWG 10 without ferrule)
Tightening torque	0.5 Nm ... 0.6 Nm
Pg screw connection	none
Type of the screw connection	with M25 thread
Cable exit	Lateral

Standards and Regulations

Connection in acc. with standard	CUL
Flammability rating according to UL 94	V0

Classifications

eCl@ss

eCl@ss 4.0	27140816
eCl@ss 4.1	27140816
eCl@ss 5.0	27143424
eCl@ss 5.1	27143424
eCl@ss 6.0	27143424
eCl@ss 7.0	27440209
eCl@ss 8.0	27440202
eCl@ss 9.0	27440202

Connector set - DC-B 6-SET-WF-M25R-M-7X4-UT - 1602258

Classifications

ETIM

ETIM 2.0	EC001121
ETIM 3.0	EC000437
ETIM 4.0	EC000437
ETIM 5.0	EC000437

UNSPSC

UNSPSC 6.01	30211923
UNSPSC 7.0901	39121522
UNSPSC 11	39121522
UNSPSC 12.01	39121522
UNSPSC 13.2	39121522

Approvals

Approvals


Approvals

UL Recognized / VDE Gutachten mit Fertigungsüberwachung / cUL Recognized / EAC / cULus Recognized

Ex Approvals

Approvals submitted

Approval details

UL Recognized 	
mm ² /AWG/kcmil	12
Nominal current I _N	25 A
Nominal voltage U _N	600 V

Connector set - DC-B 6-SET-WF-M25R-M-7X4-UT - 1602258

Approvals

VDE Gutachten mit Fertigungsüberwachung

Nominal current I _N	25 A
Nominal voltage U _N	690 V

cUL Recognized

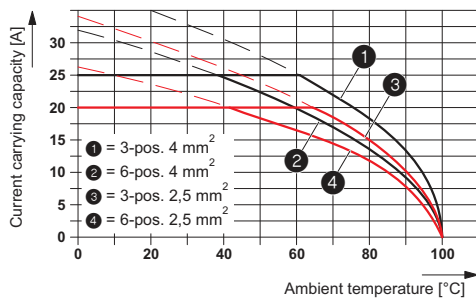
mm ² /AWG/kcmil	12
Nominal current I _N	25 A
Nominal voltage U _N	600 V

EAC

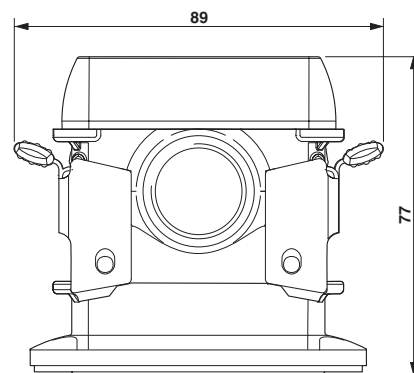
cULus Recognized

Drawings

Diagram



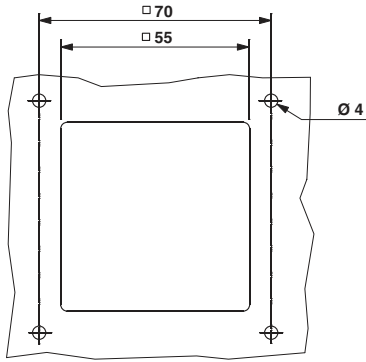
Dimensional drawing



Dimensional drawing

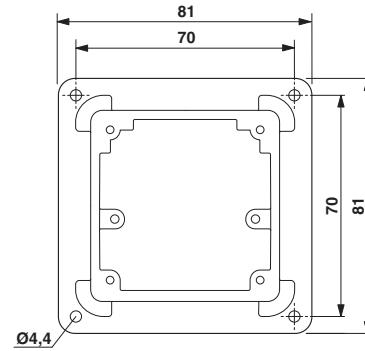
Connector set - DC-B 6-SET-WF-M25R-M-7X4-UT - 1602258

Dimensional drawing



Panel cutout: DC-B 6-HB-M

Dimensional drawing



Dimensional drawing (lateral view)