

# Customer Information Sheet

DRAWING No.: R6490-00 - R6493-00

IF IN DOUBT - ASK

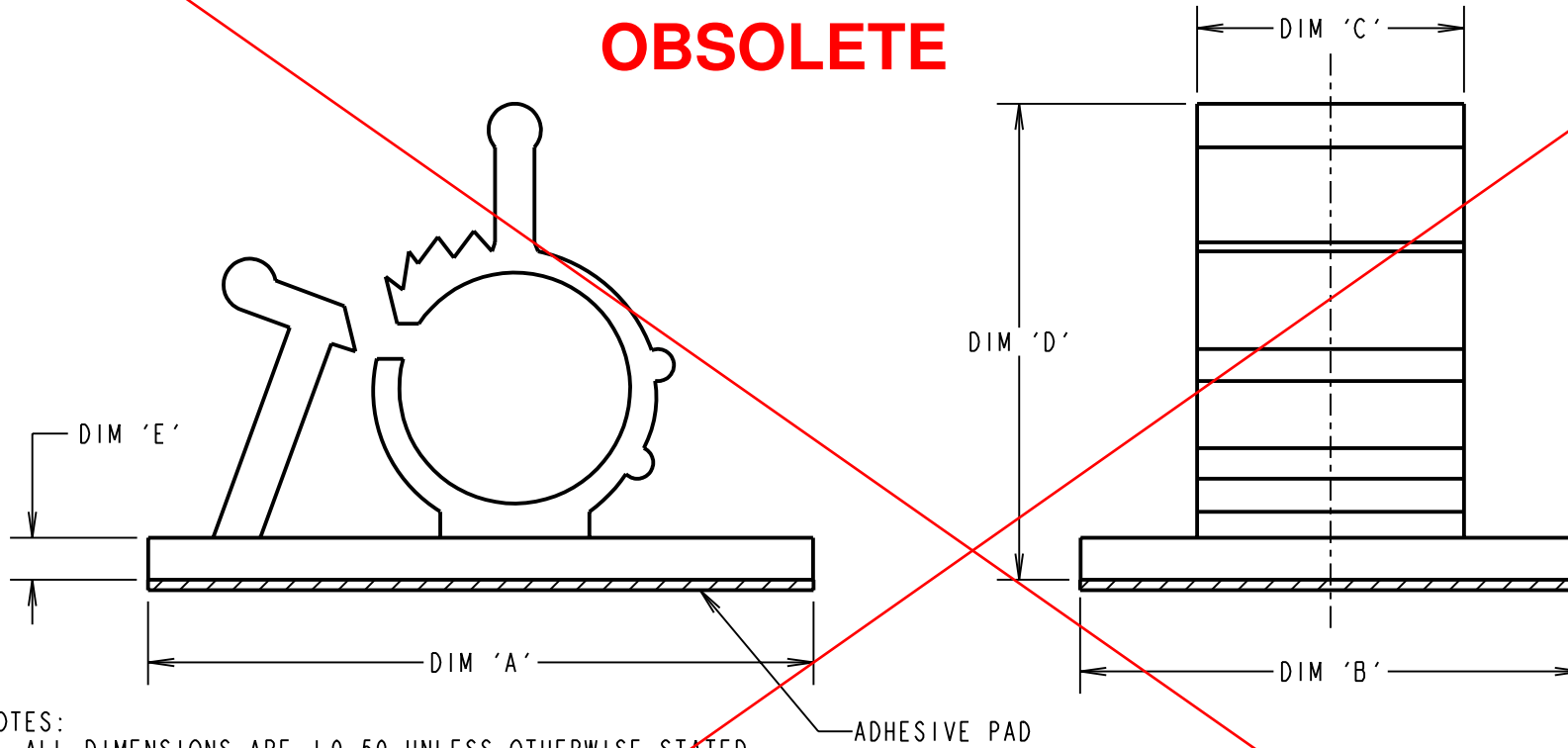
©

NOT TO SCALE

THIRD ANGLE PROJECTION

ALL DIMENSIONS IN mm

**OBSOLETE**



- NOTES:  
 1. ALL DIMENSIONS ARE  $\pm 0.50$  UNLESS OTHERWISE STATED.  
 2. TEMPERATURE RANGE =  $-40^{\circ}\text{C}$  TO  $+85^{\circ}\text{C}$ .

PART No.	CABLE BUNDLE DIAMETER	DIM 'A'	DIM 'B'	DIM 'C'	DIM 'D'	DIM 'E'
R6490-00	$\varnothing 7.9 - 10.3\text{mm}$	25.40	19.10	10.20	22.20	1.60
R6491-00	$\varnothing 10.0 - 12.5\text{mm}$	31.80	19.10	10.20	27.80	1.60
R6492-00	$\varnothing 12.6 - 15.4\text{mm}$	36.70	18.40	12.10	31.80	3.02
R6493-00	$\varnothing 16.5 - 20.1\text{mm}$	42.19	25.40	12.70	39.66	3.13

ORDER CODE:  
**R649X-00**  
 SIZE CODE  
 (SEE TABLE)

CP	3	05.03.10	10702
NAME	ISS.	DATE	C/NOTE
APPROVED: C.PENROSE			
CHECKED: R.ADDE			
DRAWN: D.BECK			
CUSTOMER REF.:			
ASSEMBLY DRG:			

**HARWIN**

HARWIN USA  
 TEL: 603 893 5376  
 FAX: 603 893 5396  
 mis@harwin.com

HARWIN Europe (UK)  
 TEL: 023 9231 4545  
 FAX: 023 9231 4590  
 mis@harwin.co.uk

HARWIN Asia  
 TEL: +65 6 779 4909  
 FAX: +65 6 779 3868  
 mis@harwin.com.sg

THIS DRAWING AND ANY INFORMATION OR DESCRIPTIVE MATTER SET OUT HEREON ARE CONFIDENTIAL AND COPYRIGHT PROPERTY OF THE HARWIN GROUP AND MUST NOT BE DISCLOSED, LOANED, COPIED OR USED FOR MANUFACTURING, TENDERING OR FOR ANY OTHER PURPOSE WITHOUT THEIR WRITTEN PERMISSION.

TOLERANCES  
 $X = \pm 1\text{mm}$   
 $X.X = \pm 0.25\text{mm}$   
 $X.XX = \pm 0.10\text{mm}$   
 $X.XXX = \pm 0.01\text{mm}$   
 ANGLES =  $\pm 5^{\circ}$   
 UNLESS STATED

MATERIAL:  
 NYLON 66 BLACK UL94V-2

FINISH: CLEAN

S/AREA: mm<sup>2</sup>

TITLE:  
 ADJUSTABLE CABLE CLAMP

DRAWING NUMBER:  
**R6490-00 - R6493-00**

SHT  
 2 OF 2