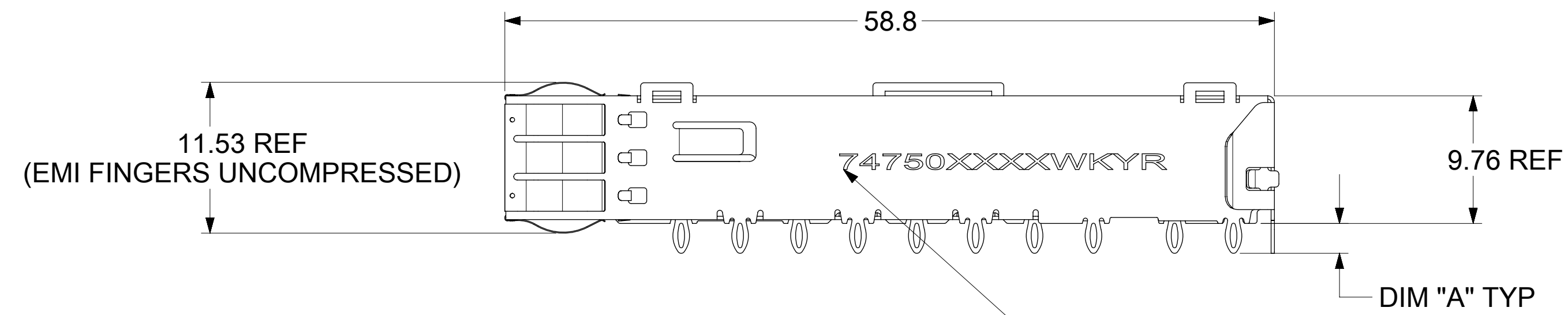
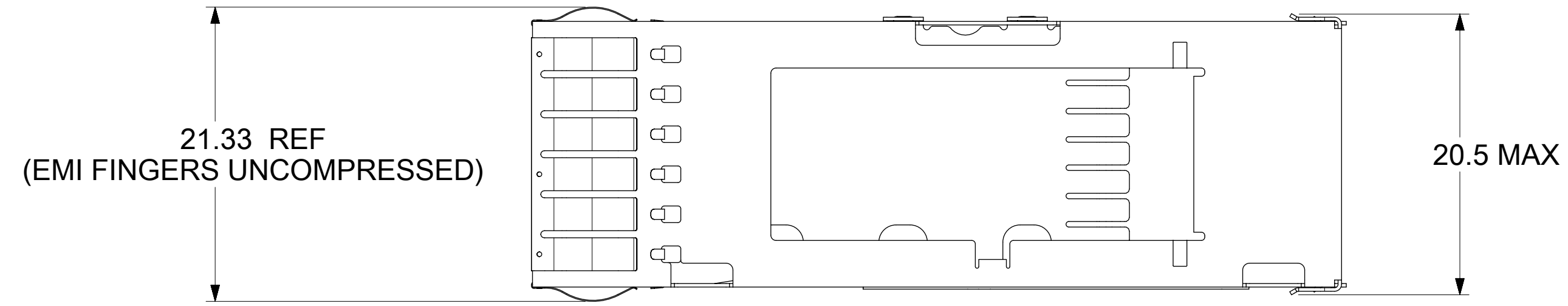


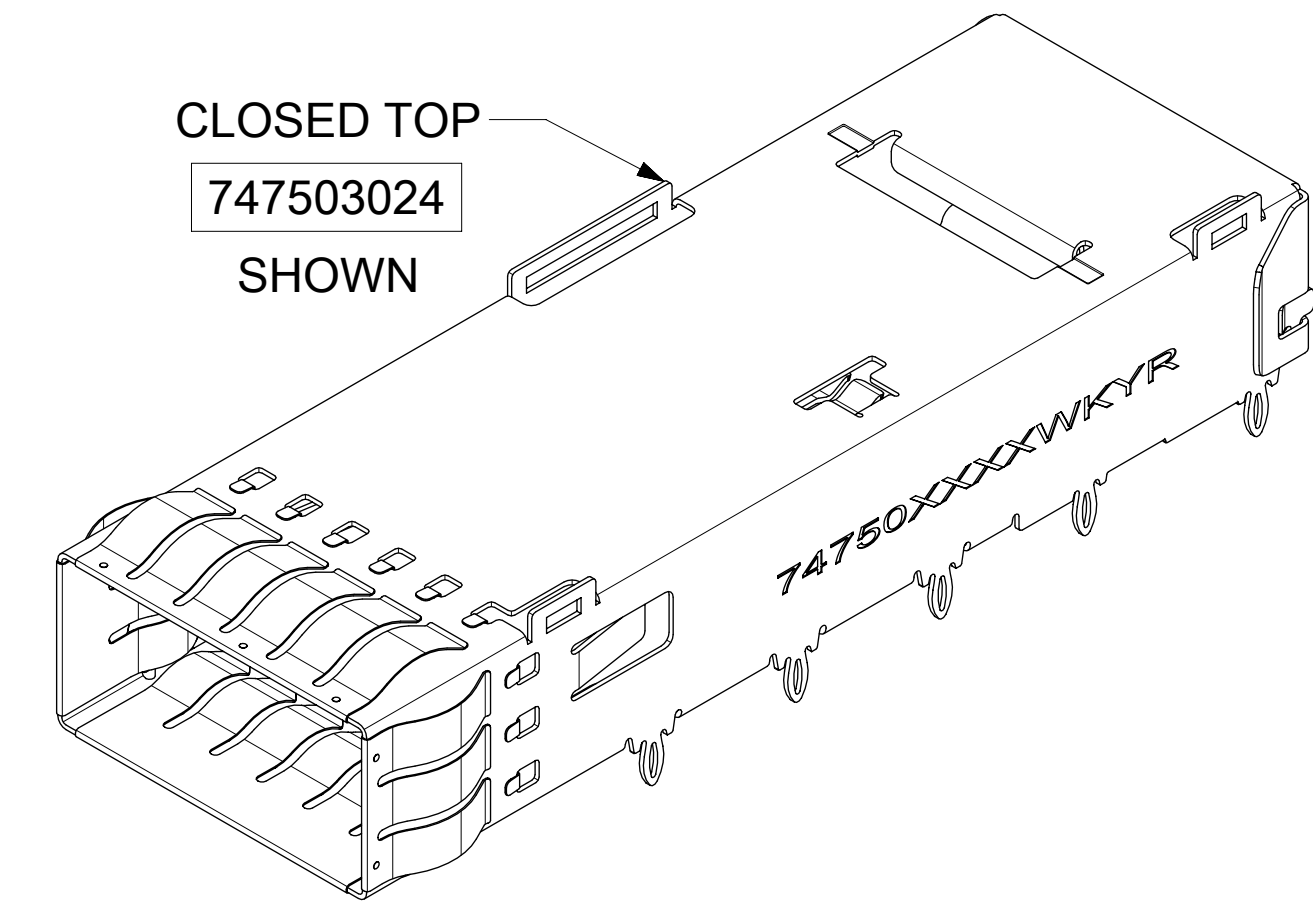
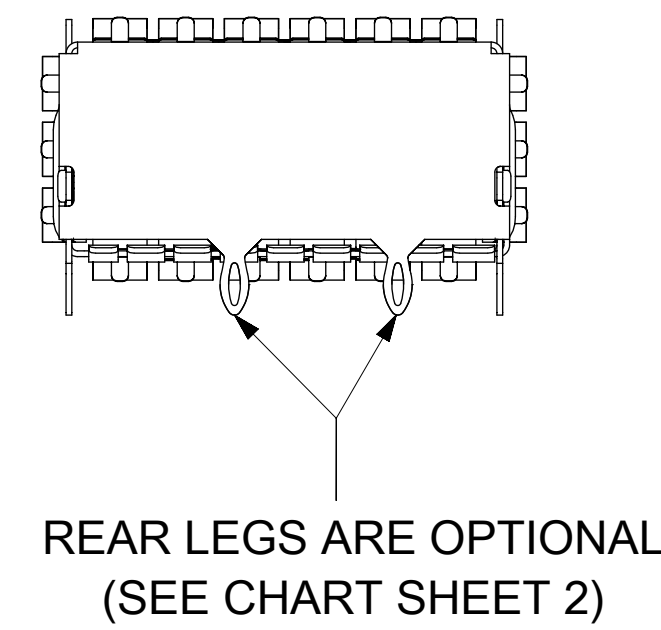
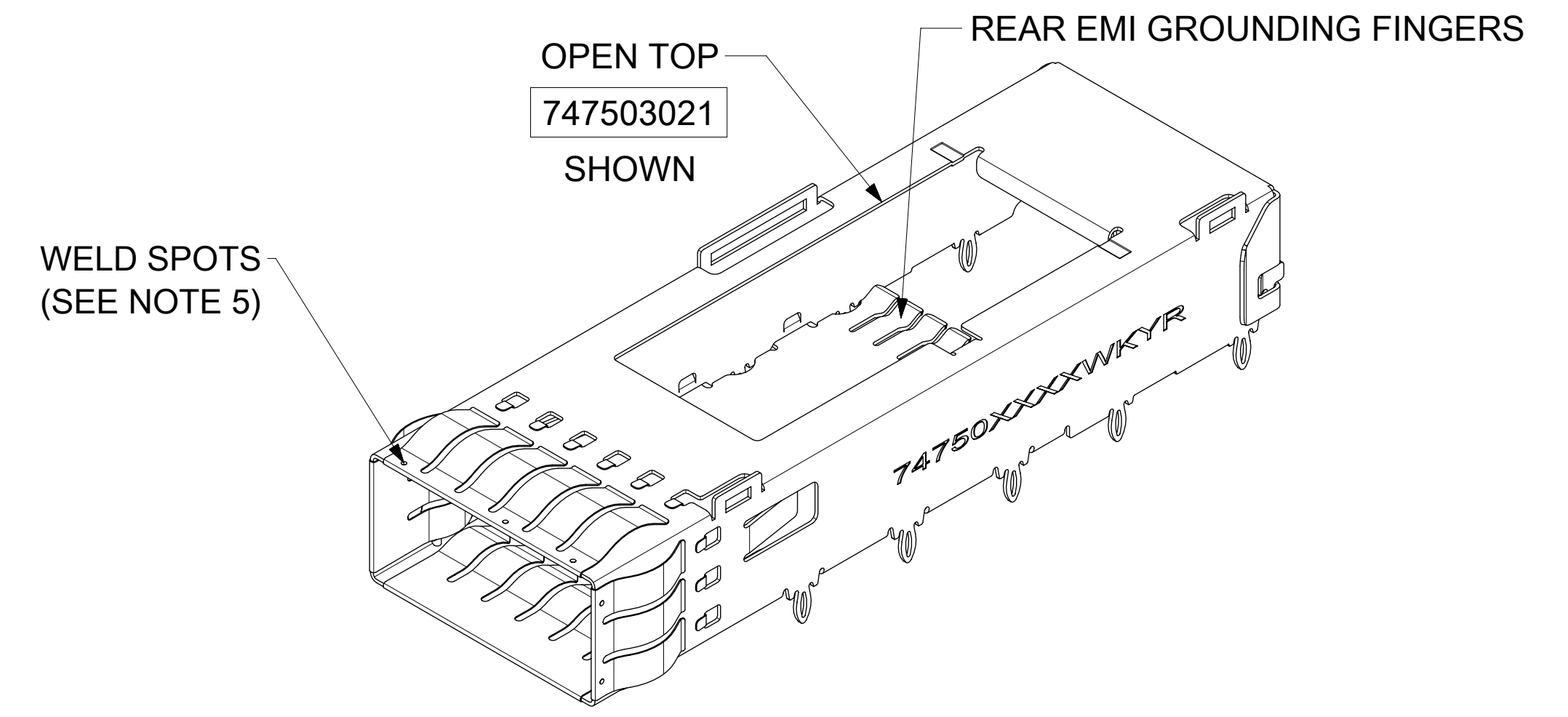
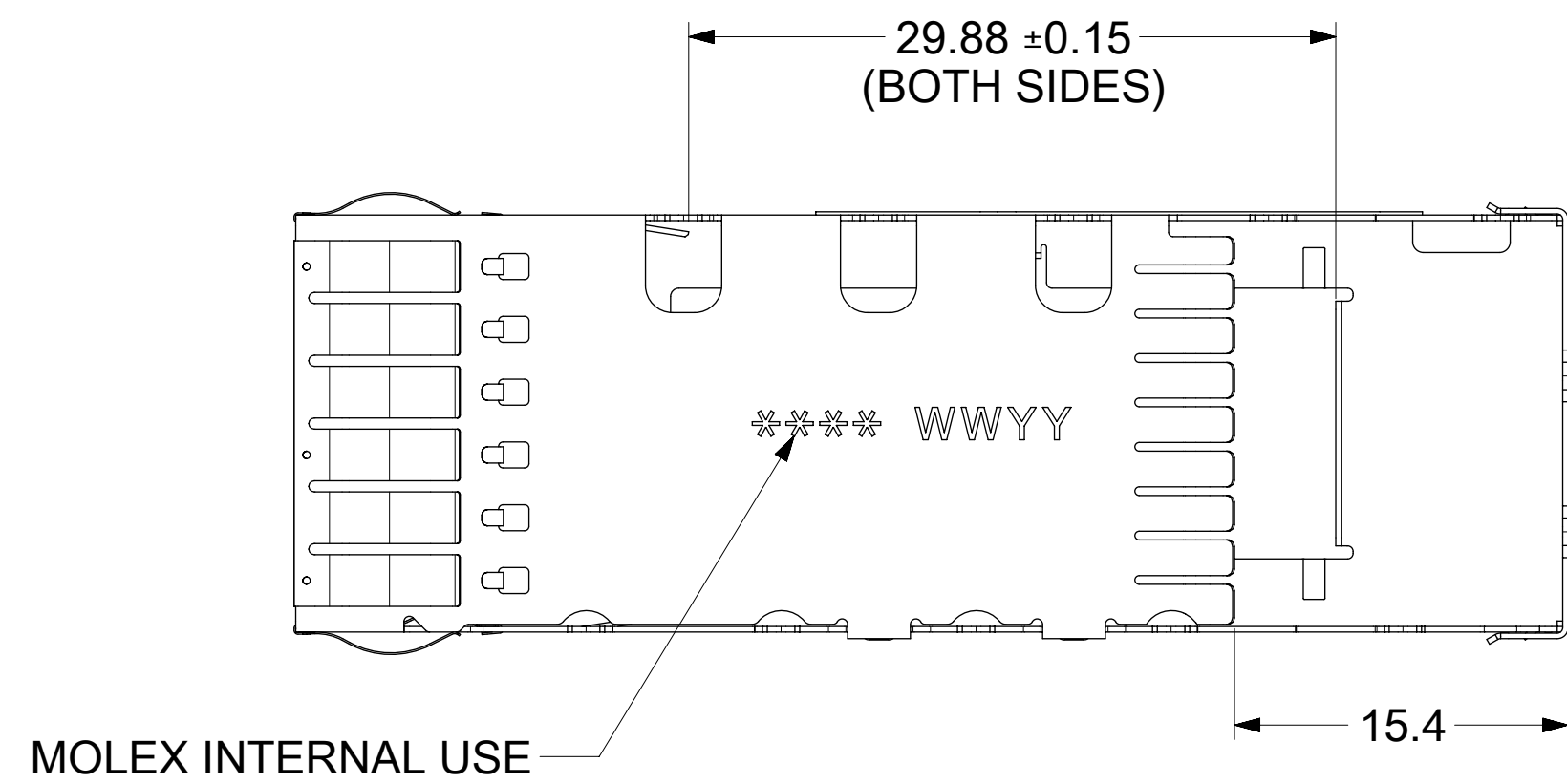
# BASE CAGE DETAILS

(APPLIES TO ALL CAGES IN THIS DRAWING)



PART NO. AND WEEK/YEAR DATE CODE TO BE PRINTED ON SIDE OF COMPLETED CAGE ASSEMBLY AS SHOWN.

WEEK/YEAR DATE CODE TABLE	
WK	01 THRU 52 EXAMPLE: 01 = FIRST WEEK OF YEAR 52 = LAST WEEK OF YEAR
YR	22, 23, 24 (ETC. EXAMPLE: YEAR 2022 = 22)

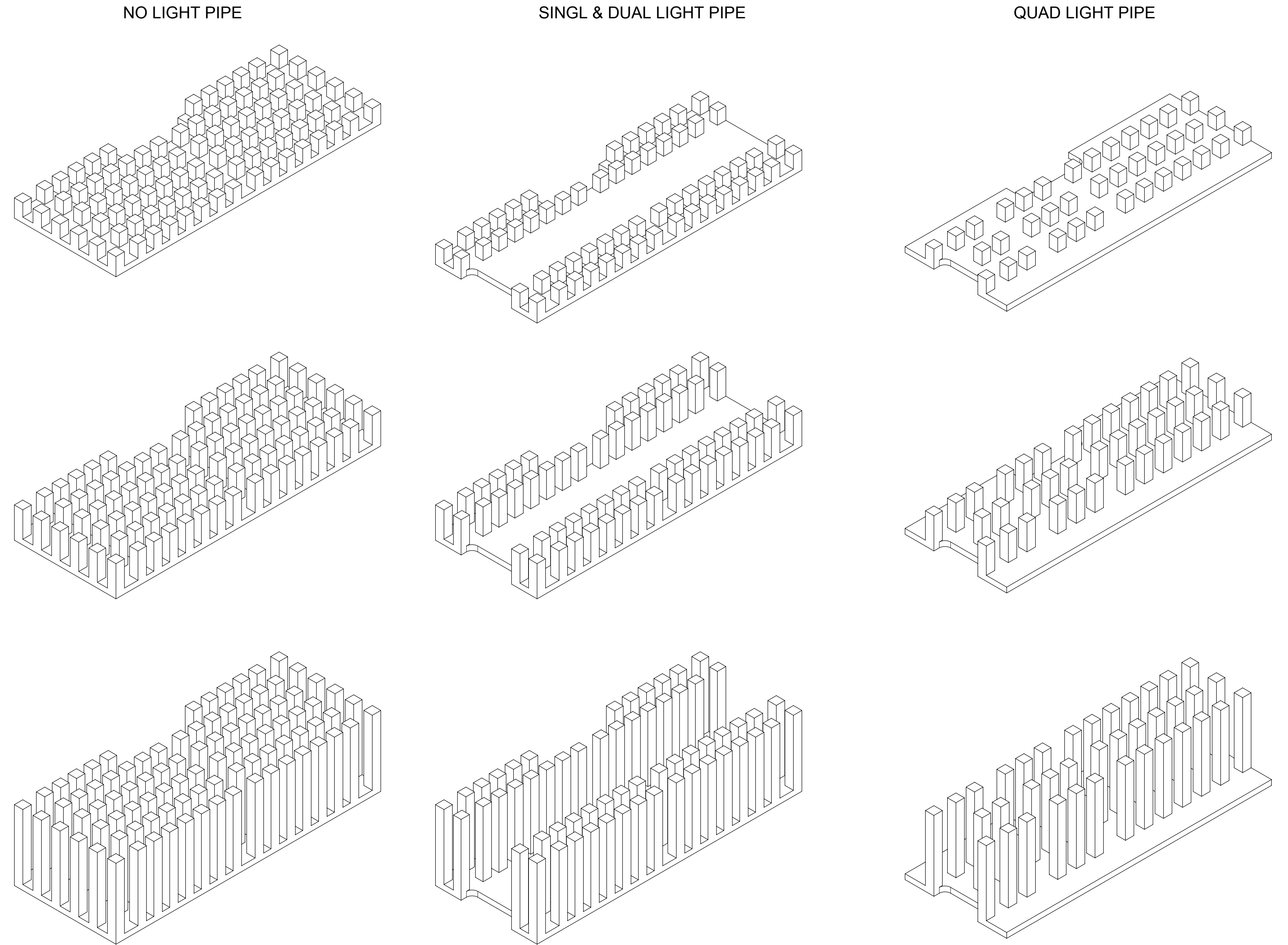
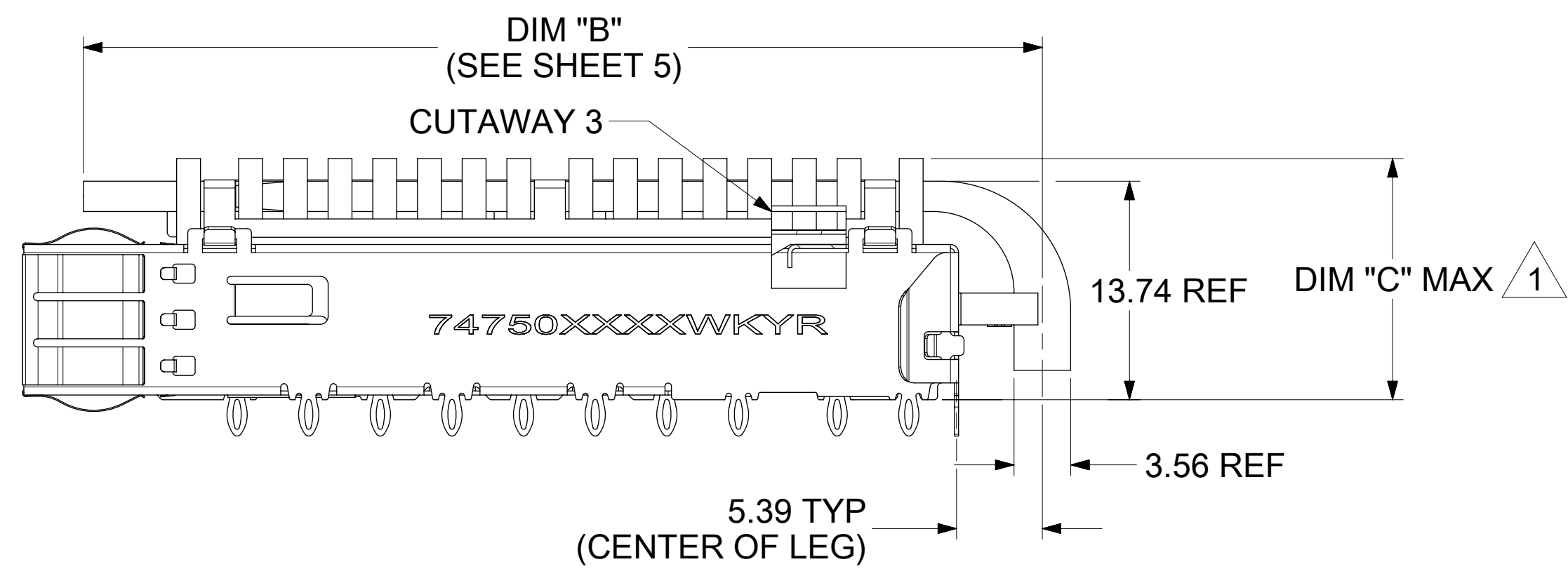


NOTES:

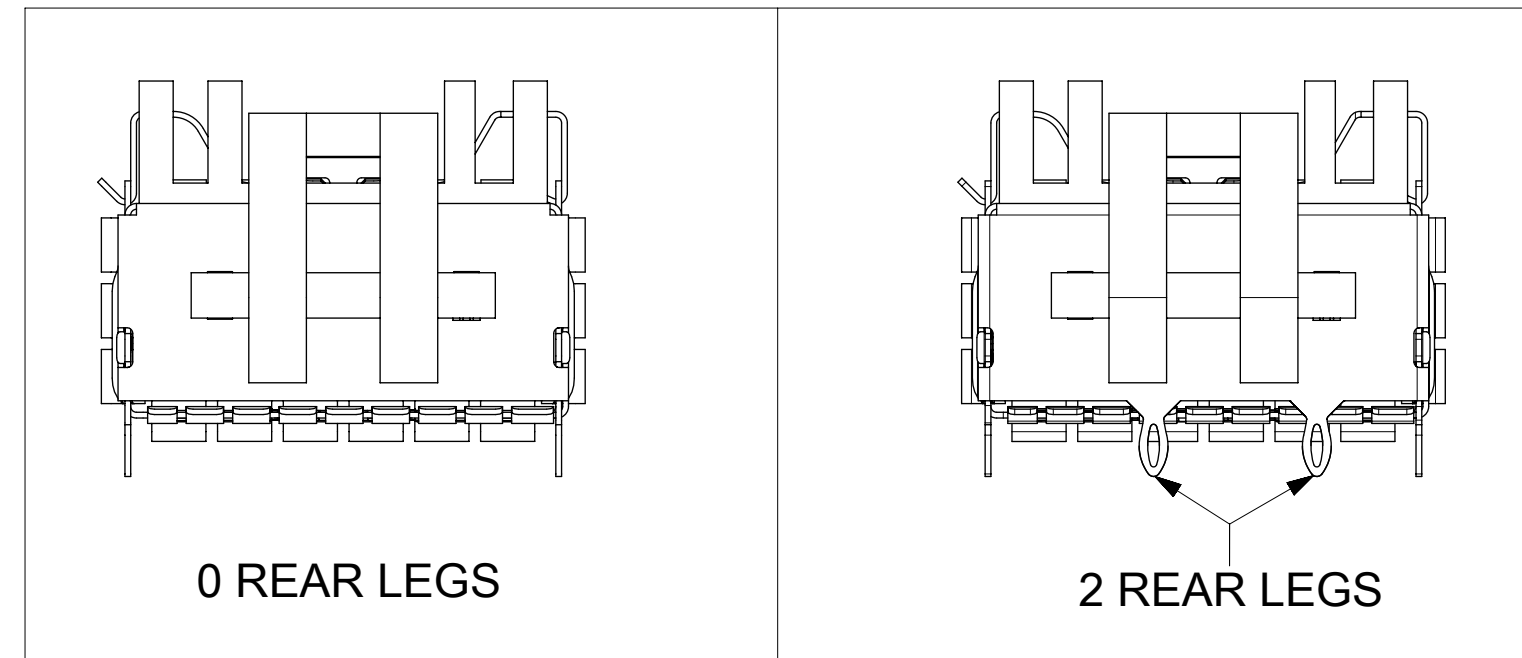
1. QSFP+ ASSEMBLIES ALSO AVAILABLE WITH 1X2 (74767 SERIES), 1X3 (74768 SERIES), 1X4 (74769 SERIES) AND 1X6 (74771 SERIES) CONFIGURATIONS.
2. MATERIAL:  
 LIGHT PIPE/HEATSINK CLIP: STAINLESS STEEL  
 LIGHT PIPES: POLYCARBONATE (UL 94-V-0 RATED)  
 HEAT SINKS: BLACK ANNOXIDIZED ALUMINUM  
 CAGE: STAINLESS STEEL  
 SPRING FINGERS: STAINLESS STEEL
3. NO RoHS EXEMPTIONS
4. CUSTOM HEATSINKS AVAILABLE UPON REQUEST.
5. WELD SPOTS MAY SHOW SLIGHT MATERIAL DISCOLORATION.

FUNCTIONAL SYMBOLS $\nabla_A = 0$ $\nabla_C = 0$ $\nabla_D = 0$	THIS DRAWING CONTAINS INFORMATION THAT IS PROPRIETARY TO MOLEX ELECTRONIC TECHNOLOGIES, LLC AND SHOULD NOT BE USED WITHOUT WRITTEN PERMISSION	SCALE		CURRENT REV DESC: SEE REV TABLE.					
	DIMENSION UNITS	mm	4:1						
	DIVISIONAL SYMBOLS	GENERAL TOLERANCES (UNLESS SPECIFIED)		EC NO: 723392		2022/09/27		QSFP+ 1X1 CAGE ASSEMBLY WITH SUS TAB TYPE SPRING FINGER	
		ANGULAR TOL	± 1.0°	DRWN: VISHNM2		2022/10/03		PRODUCT CUSTOMER DRAWING	
	4 PLACES	±	CHK'D: DKUMARG		2022/10/12		DOCUMENT NUMBER		
	3 PLACES	±	APPR: SCHIEN				DOC TYPE DOC PART REVISION		
	2 PLACES	± 0.13	INITIAL REVISION:				747503021		
	1 PLACE	± 0.25	DRWN: CHETHH2		2022/02/17		PSD ASY B		
	0 PLACES	±	APPR: JCHIANG		2022/03/28		SEE P/N TABLE		
DRAFT WHERE APPLICABLE MUST REMAIN WITHIN DIMENSIONS		THIRD ANGLE PROJECTION		DRAWING		SERIES		MATERIAL NUMBER	
				D-SIZE		74750		CUSTOMER	
								GENERAL MARKET	
								SHEET NUMBER	
								1 OF 11	

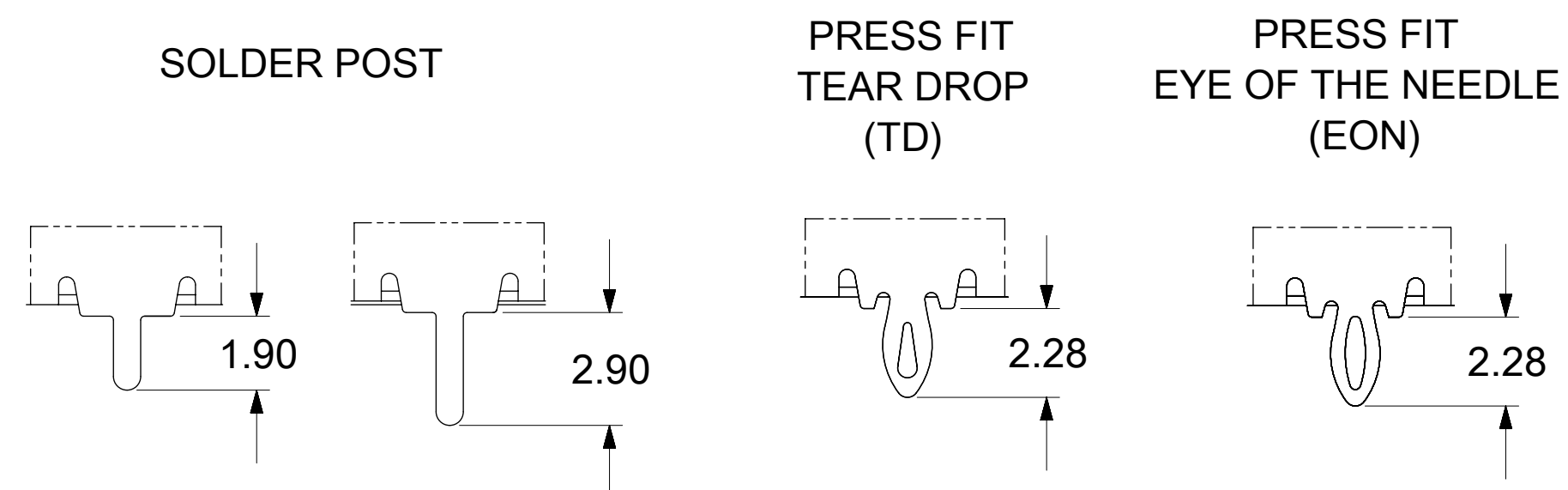
# CAGE ASSEMBLY OPTIONS



## REAR LEG OPTIONS



## LEG OPTIONS



## HEAT SINK HEIGHT OPTIONS

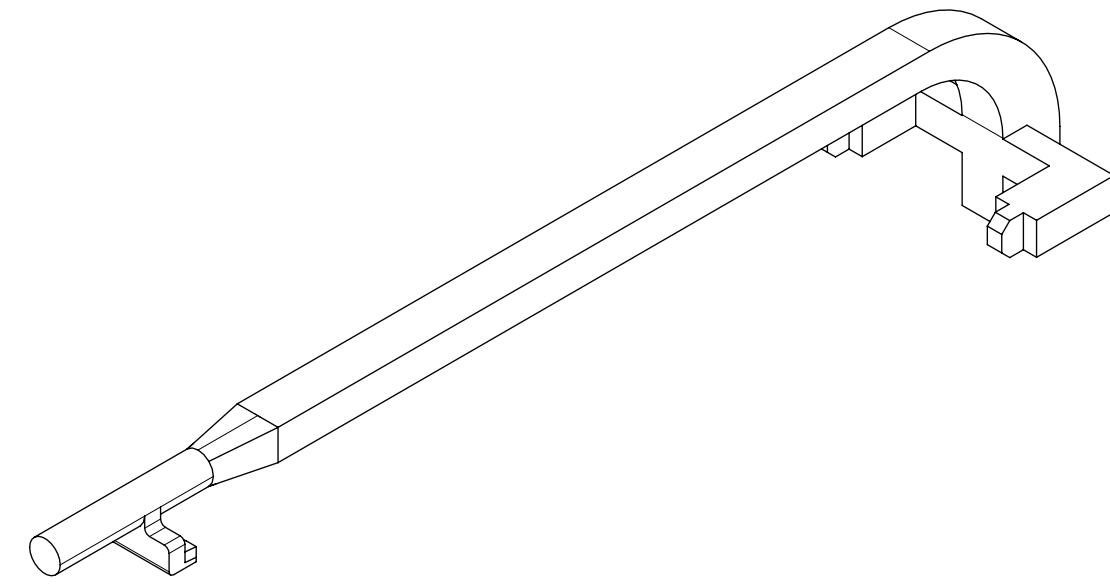
OVERALL HEAT SINK HEIGHT	DIM C
PCI	13.7
SAN	16.0
NET	23.0

FUNCTIONAL SYMBOLS $F_A = 0$ $F_C = 0$ $F_D = 0$ DIVISIONAL SYMBOLS	THIS DRAWING CONTAINS INFORMATION THAT IS PROPRIETARY TO MOLEX ELECTRONIC TECHNOLOGIES, LLC AND SHOULD NOT BE USED WITHOUT WRITTEN PERMISSION		SCALE: 3:1 CURRENT REV DESC: SEE REV TABLE.			
	DIMENSION UNITS: mm		GENERAL TOLERANCES (UNLESS SPECIFIED) ANGULAR TOL $\pm 1.0^\circ$			EC NO: 723392 DRWN: VISHNM2 CHK'D: DKUMARG APPR: SCHIEN
	4 PLACES $\pm$ 3 PLACES $\pm$ 2 PLACES $\pm 0.13$ 1 PLACE $\pm 0.25$ 0 PLACES $\pm$		INITIAL REVISION: DRWN: CHETHH2 APPR: JCHIANG			2022/09/27 2022/10/03 2022/10/12
DRAFT WHERE APPLICABLE MUST REMAIN WITHIN DIMENSIONS		THIRD ANGLE PROJECTION	DRAWING: D-SIZE	SERIES: 74750	MATERIAL NUMBER: SEE P/N TABLE CUSTOMER: GENERAL MARKET	
PRODUCT CUSTOMER DRAWING			DOCUMENT NUMBER: 747503021	DOC TYPE: PSD DOC PART: ASY REVISION: B	SHEET NUMBER: 2 OF 11	

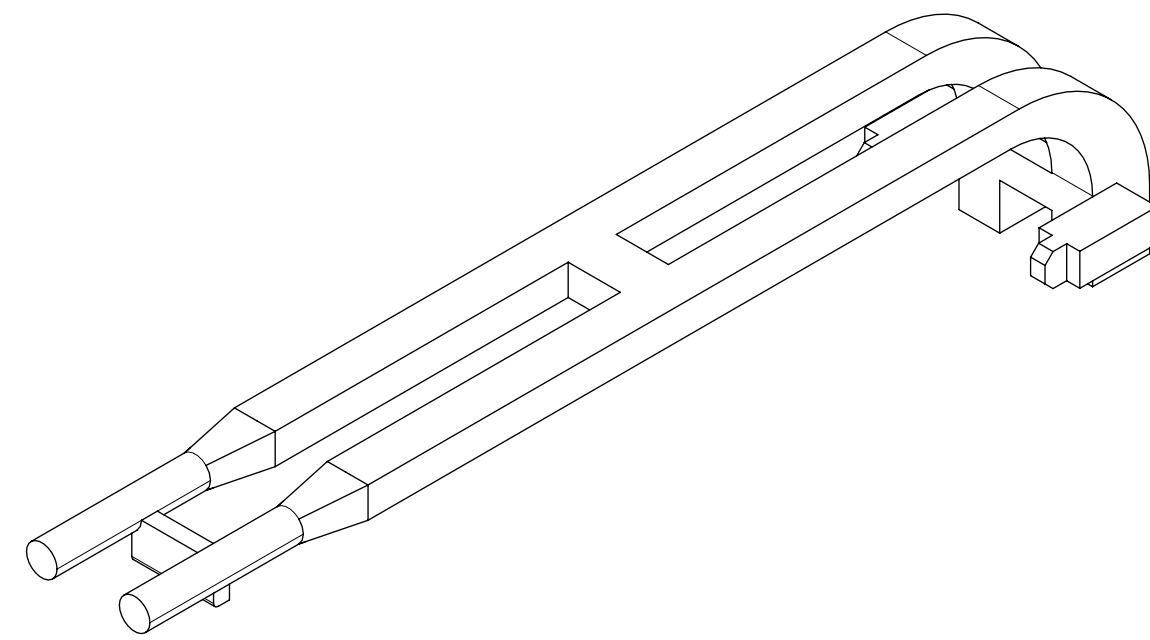
1 HEIGHT OF HEATSINK WITH MODULE INSERTED. DIMENSION MAY BE LESS DUE TO MODULE AND HEATSINK VARIATIONS.

# CAGE ASSEMBLY OPTIONS (CONT.)

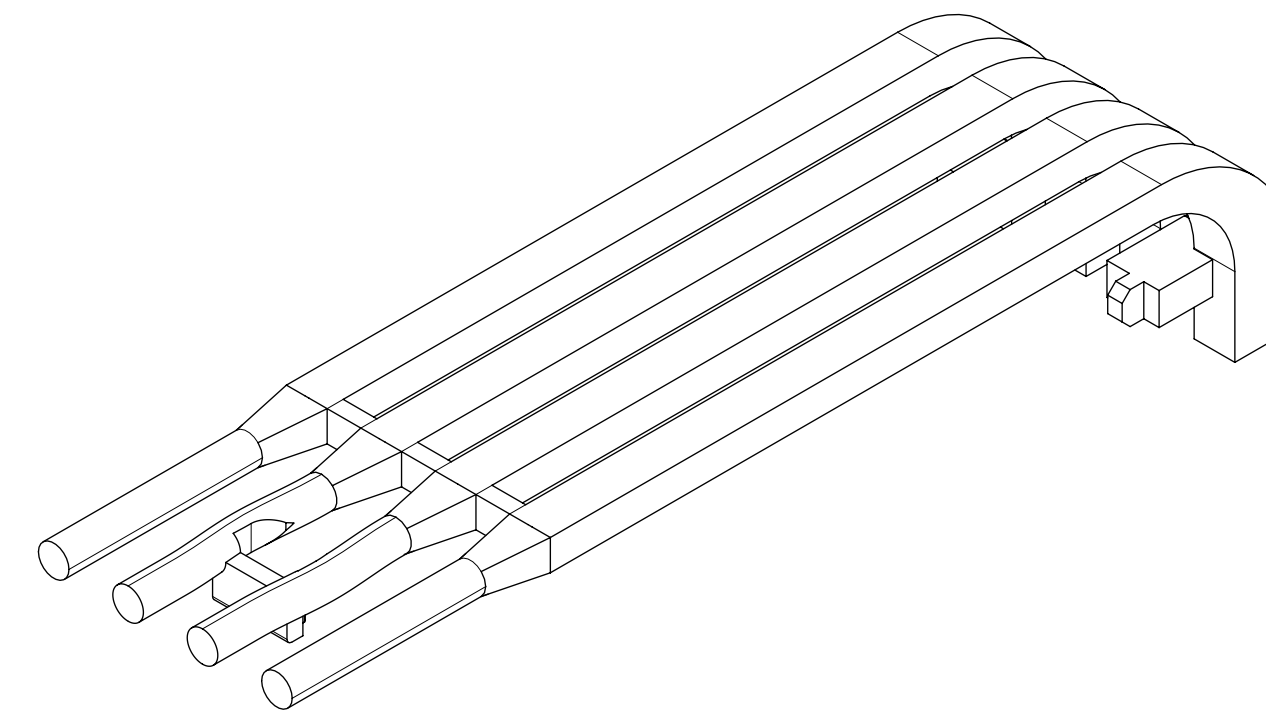
SINGLE LIGHT PIPE



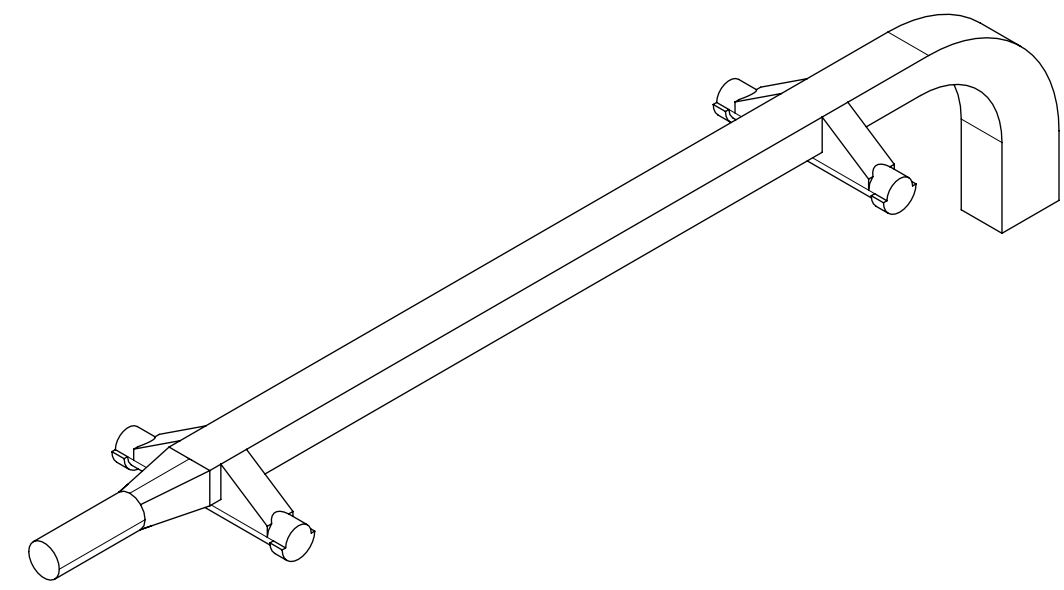
DUAL LIGHT PIPE



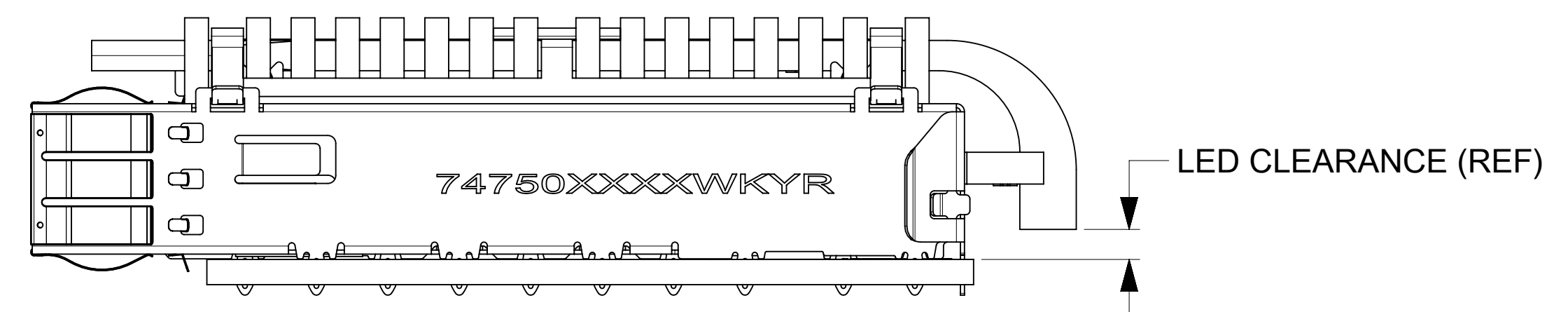
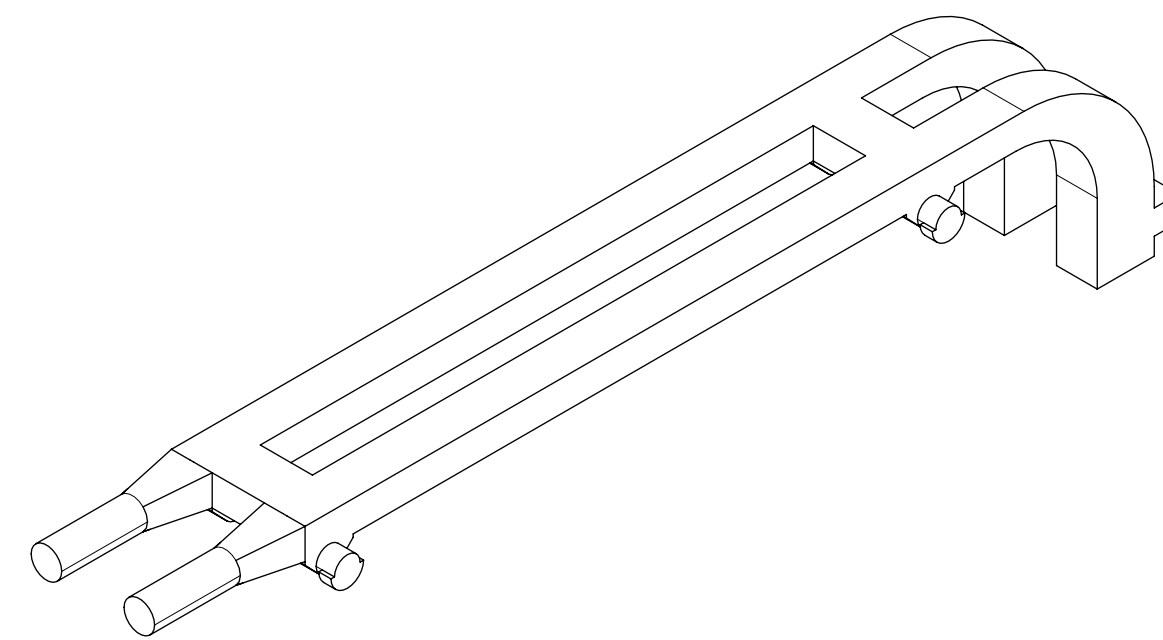
QUAD LIGHT PIPE



SINGLE LIGHT PIPE



DUAL LIGHT PIPE



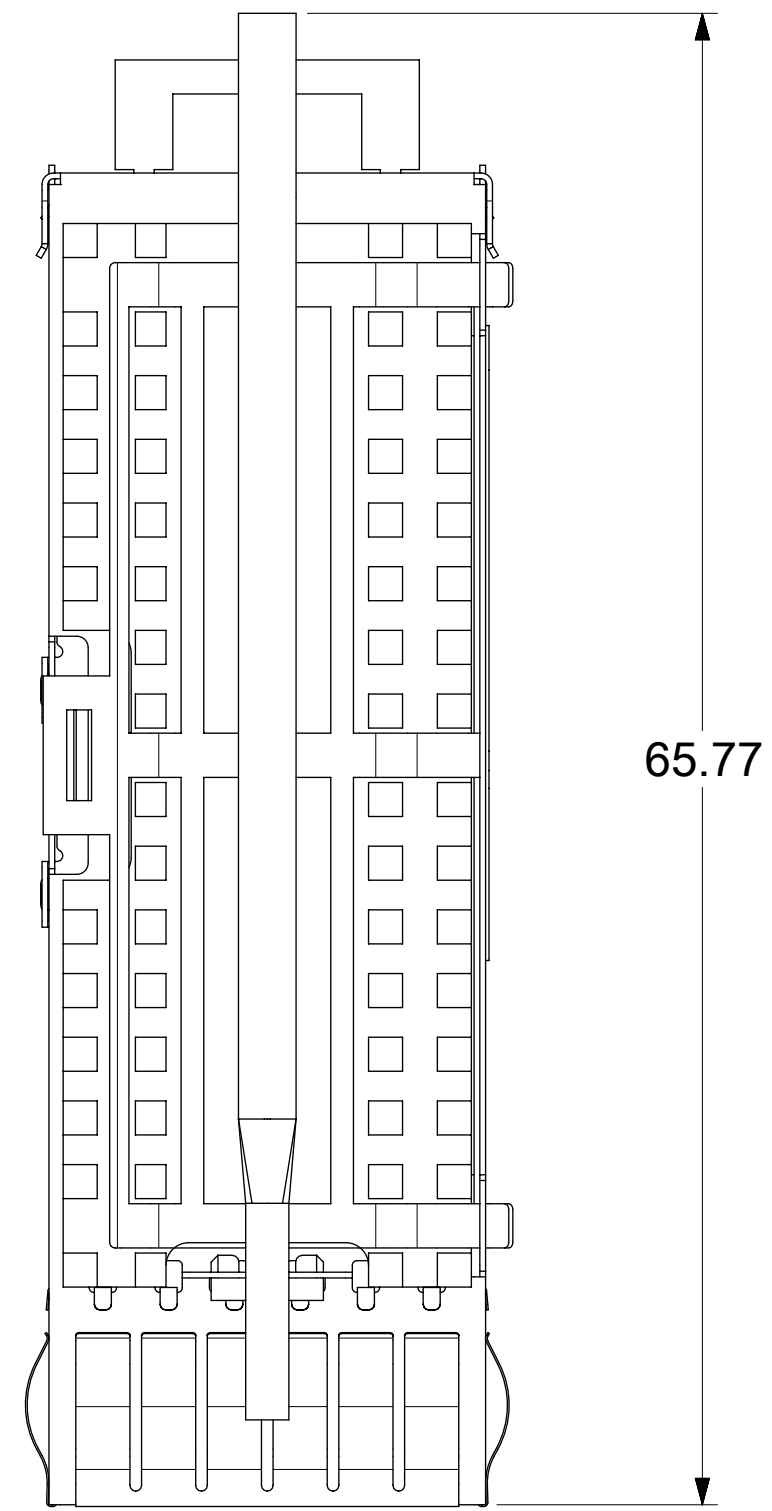
LIGHT PIPE	LED CLEARANCE (REF)
SINGLE	1.86
SINGLE	1.86
DUAL	1.86
DUAL	1.86
QUAD	1.86

<b>FUNCTIONAL SYMBOLS</b> $\nabla_A = 0$ $\nabla_C = 0$ $\nabla_D = 0$	THIS DRAWING CONTAINS INFORMATION THAT IS PROPRIETARY TO MOLEX ELECTRONIC TECHNOLOGIES, LLC AND SHOULD NOT BE USED WITHOUT WRITTEN PERMISSION		CURRENT REV DESC: SEE REV TABLE.				
	DIMENSION UNITS: <b>mm</b> SCALE: <b>3:1</b>	GENERAL TOLERANCES (UNLESS SPECIFIED) ANGULAR TOL $\pm 1.0^\circ$					
	DIVISIONAL SYMBOLS 4 PLACES $\pm$ 3 PLACES $\pm$ 2 PLACES $\pm 0.13$ 1 PLACE $\pm 0.25$ 0 PLACES $\pm$	EC NO: 723392 DRWN: VISHNM2 2022/09/27 CHK'D: DKUMARG 2022/10/03 APPR: SCHIEN 2022/10/12		PRODUCT CUSTOMER DRAWING			
	DRAFT WHERE APPLICABLE MUST REMAIN WITHIN DIMENSIONS	THIRD ANGLE PROJECTION	DRAWING: <b>D-SIZE</b>	SERIES: <b>74750</b>	MATERIAL NUMBER: <b>747503021</b>	CUSTOMER: <b>GENERAL MARKET</b>	SHEET NUMBER: <b>3 OF 11</b>

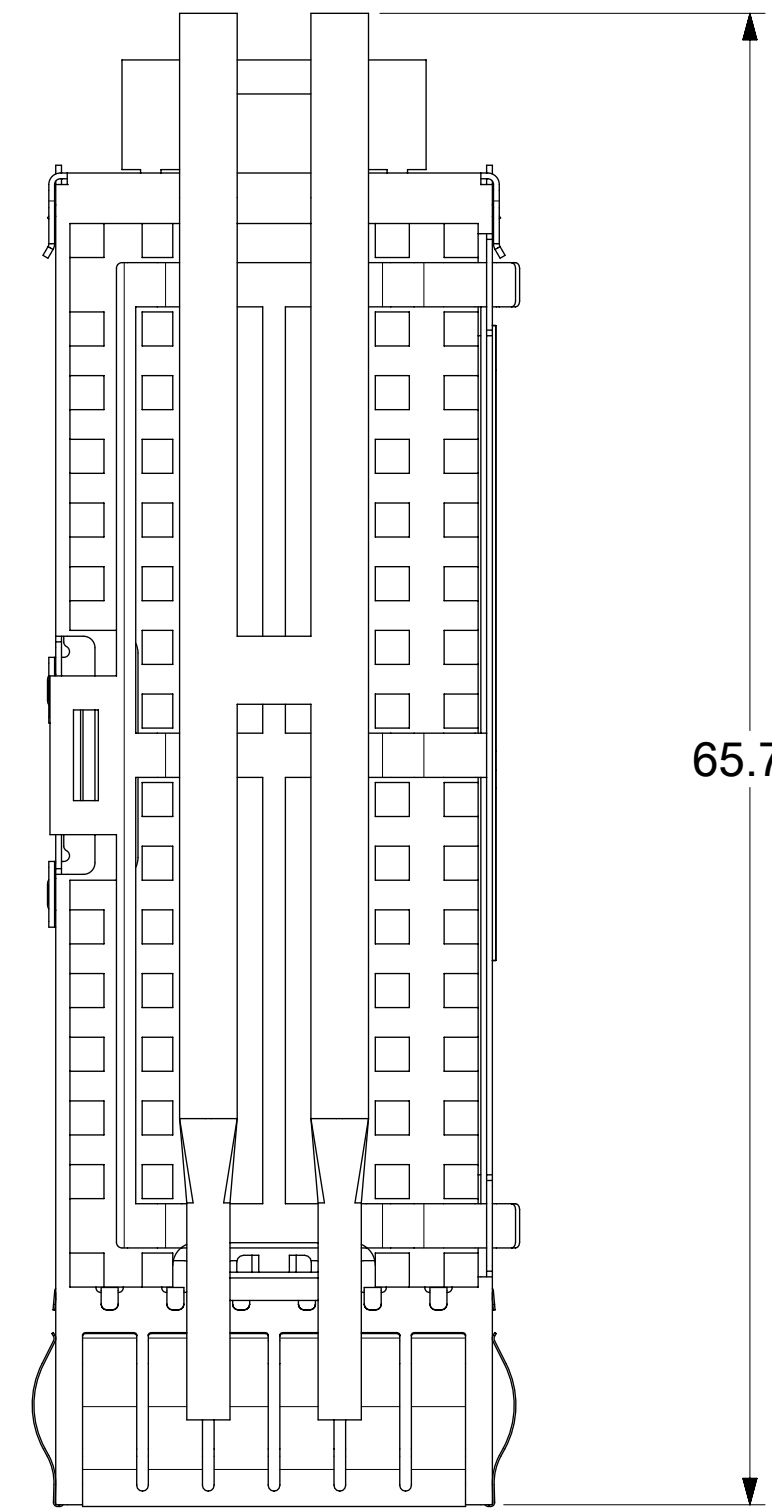
NOTE:  
1) FOR HEATSINK OPTIONS SEE SHEET 2.

DOCUMENT STATUS	P1	RELEASE DATE	2022/10/12	10:55:32
-----------------	----	--------------	------------	----------

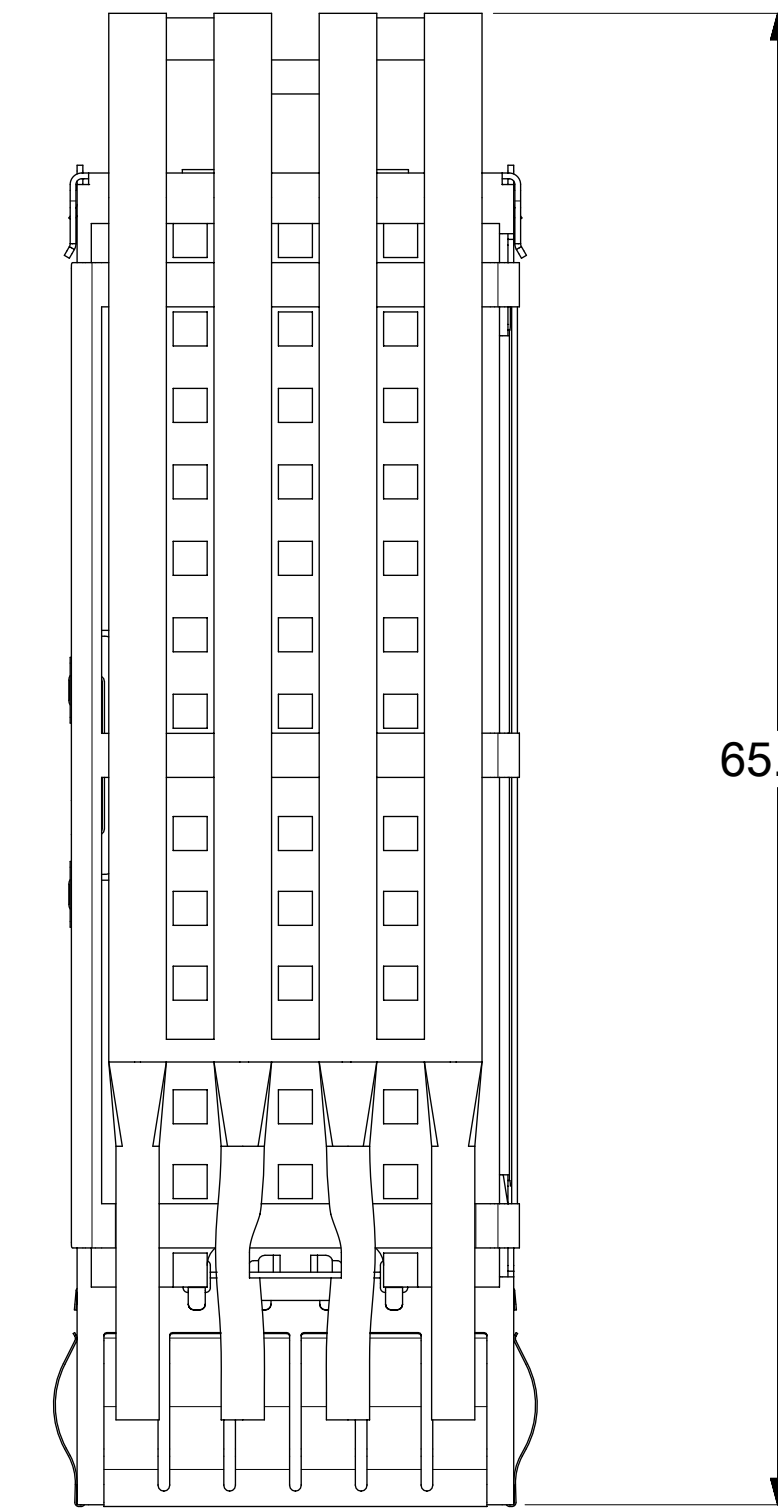
# CAGE ASSEMBLY OPTIONS (CONT.)



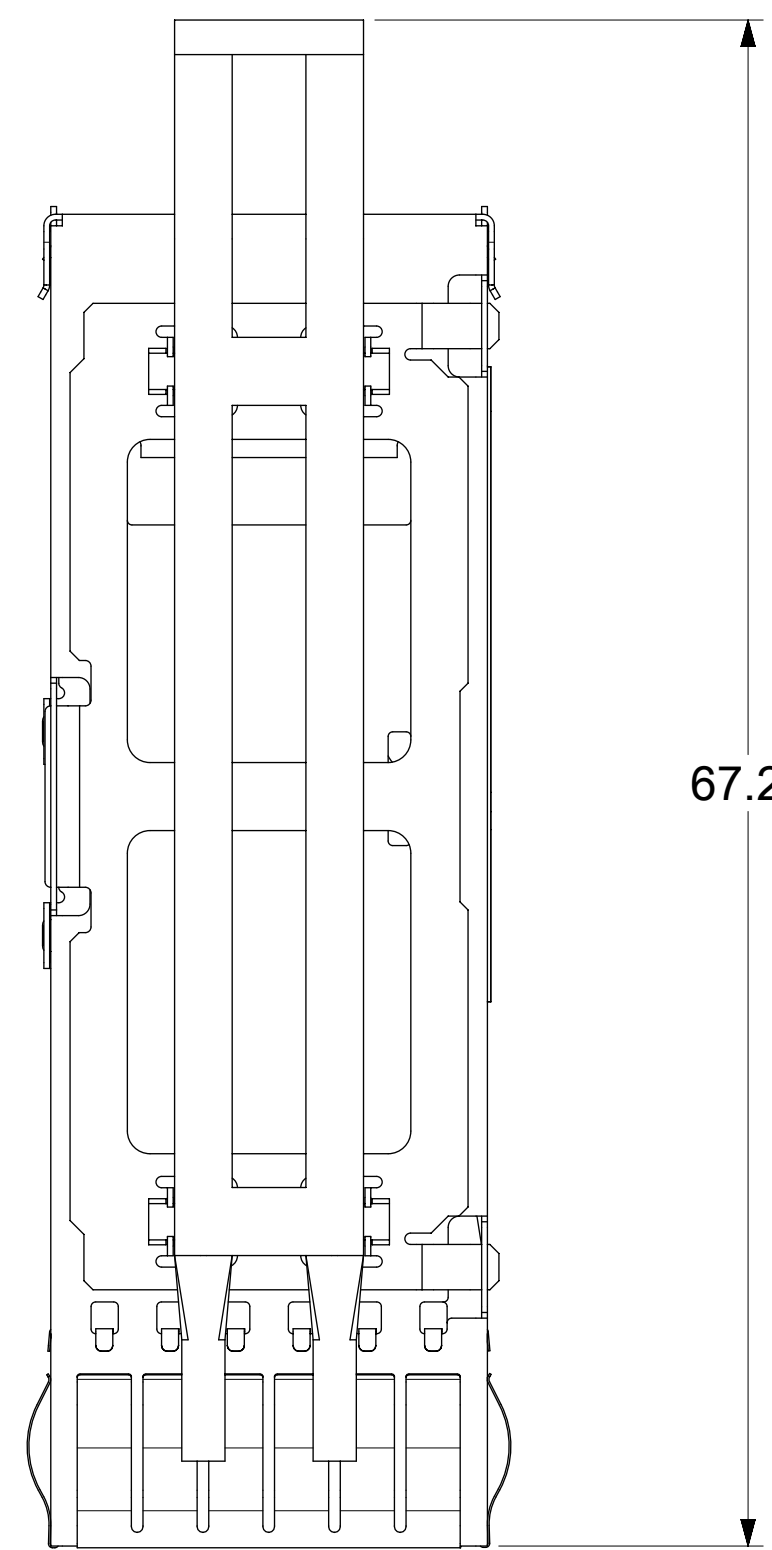
65.77



65.77



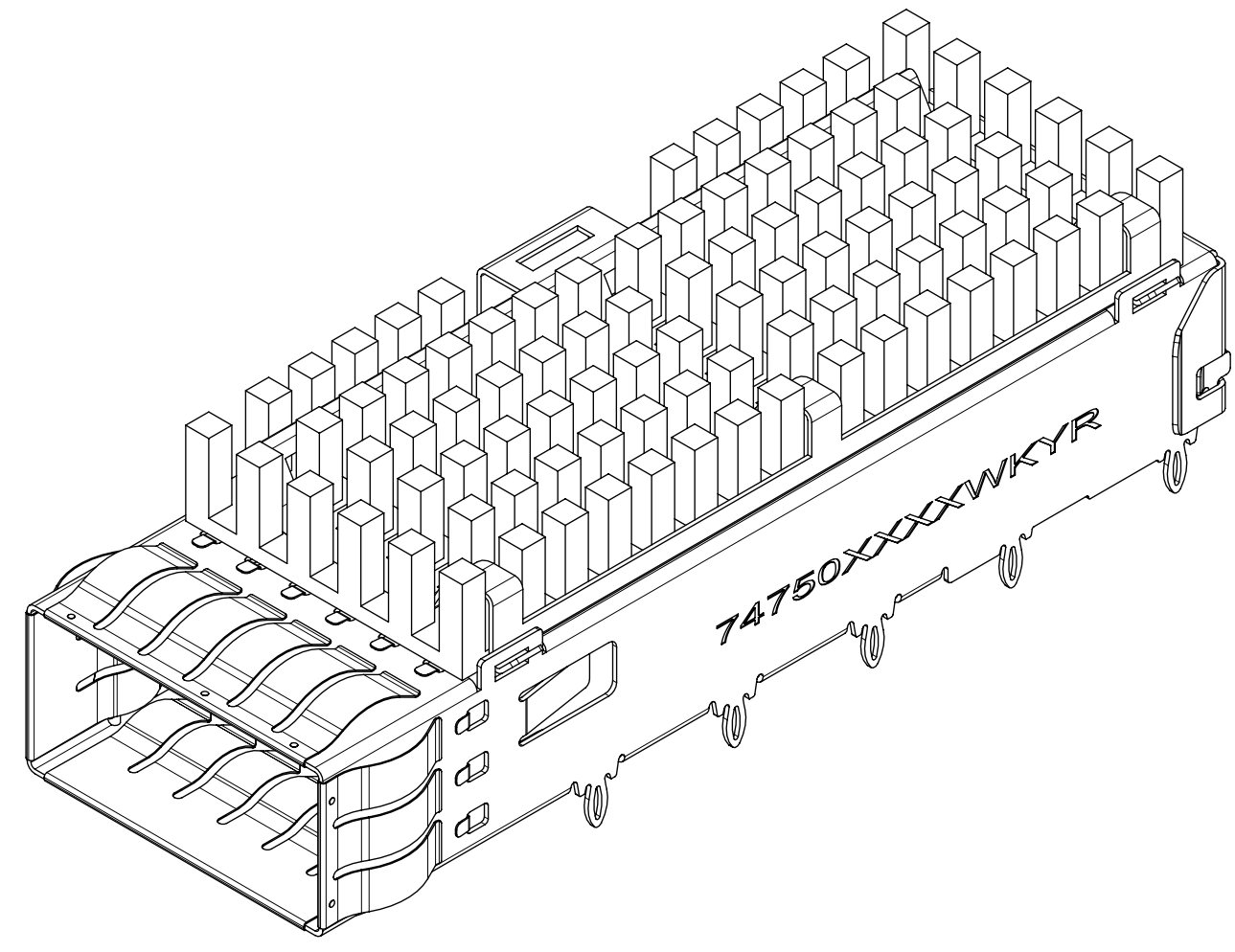
65.77



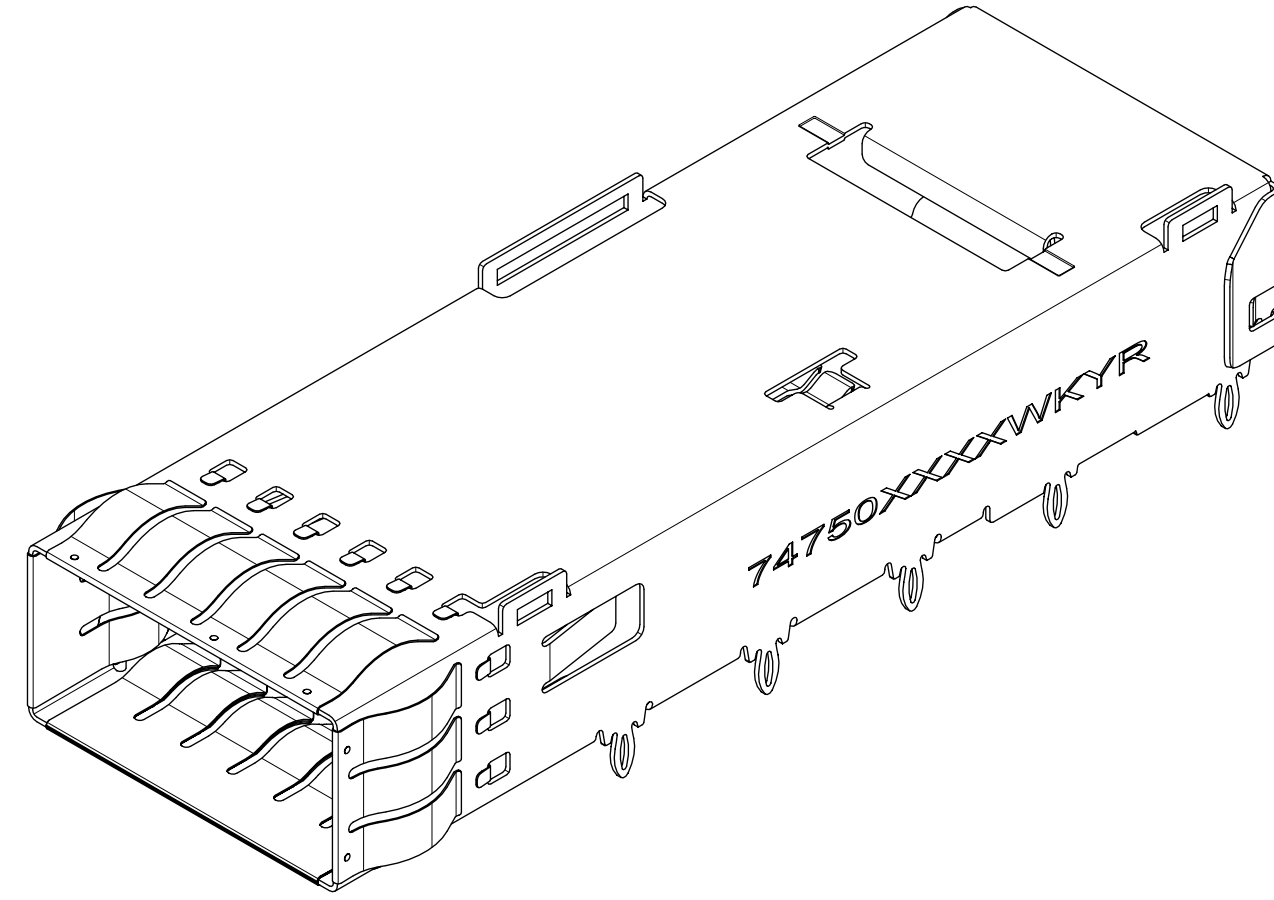
67.29

<b>FUNCTIONAL SYMBOLS</b> $\nabla_A = 0$ $\nabla_C = 0$ $\nabla_D = 0$	THIS DRAWING CONTAINS INFORMATION THAT IS PROPRIETARY TO MOLEX ELECTRONIC TECHNOLOGIES, LLC AND SHOULD NOT BE USED WITHOUT WRITTEN PERMISSION		CURRENT REV DESC: SEE REV TABLE.		 QSFP+ 1X1 CAGE ASSEMBLY WITH SUS TAB TYPE SPRING FINGER PRODUCT CUSTOMER DRAWING	
	DIMENSION UNITS	SCALE	EC NO: 723392			
	mm	3:1	DRWN: VISHNM2 2022/09/27			
	GENERAL TOLERANCES (UNLESS SPECIFIED)		CHK'D: DKUMARG 2022/10/03			
	ANGULAR TOL $\pm 1.0^\circ$		APPR: SCHIEN 2022/10/12			
<b>DIVISIONAL SYMBOLS</b> 4 PLACES $\pm$ 3 PLACES $\pm$ 2 PLACES $\pm 0.13$ 1 PLACE $\pm 0.25$ 0 PLACES $\pm$	INITIAL REVISION:		DRWN: CHETHH2 2022/02/17		DOCUMENT NUMBER <b>747503021</b>	
	DRAFT WHERE APPLICABLE MUST REMAIN WITHIN DIMENSIONS		APPR: JCHIANG 2022/03/28			DOC TYPE PSD
	THIRD ANGLE PROJECTION		DRAWING	SERIES	MATERIAL NUMBER	DOC PART ASY
			D-SIZE	74750	CUSTOMER	REVISION B
			SEE P/N TABLE	GENERAL MARKET	SHEET NUMBER 4 OF 11	

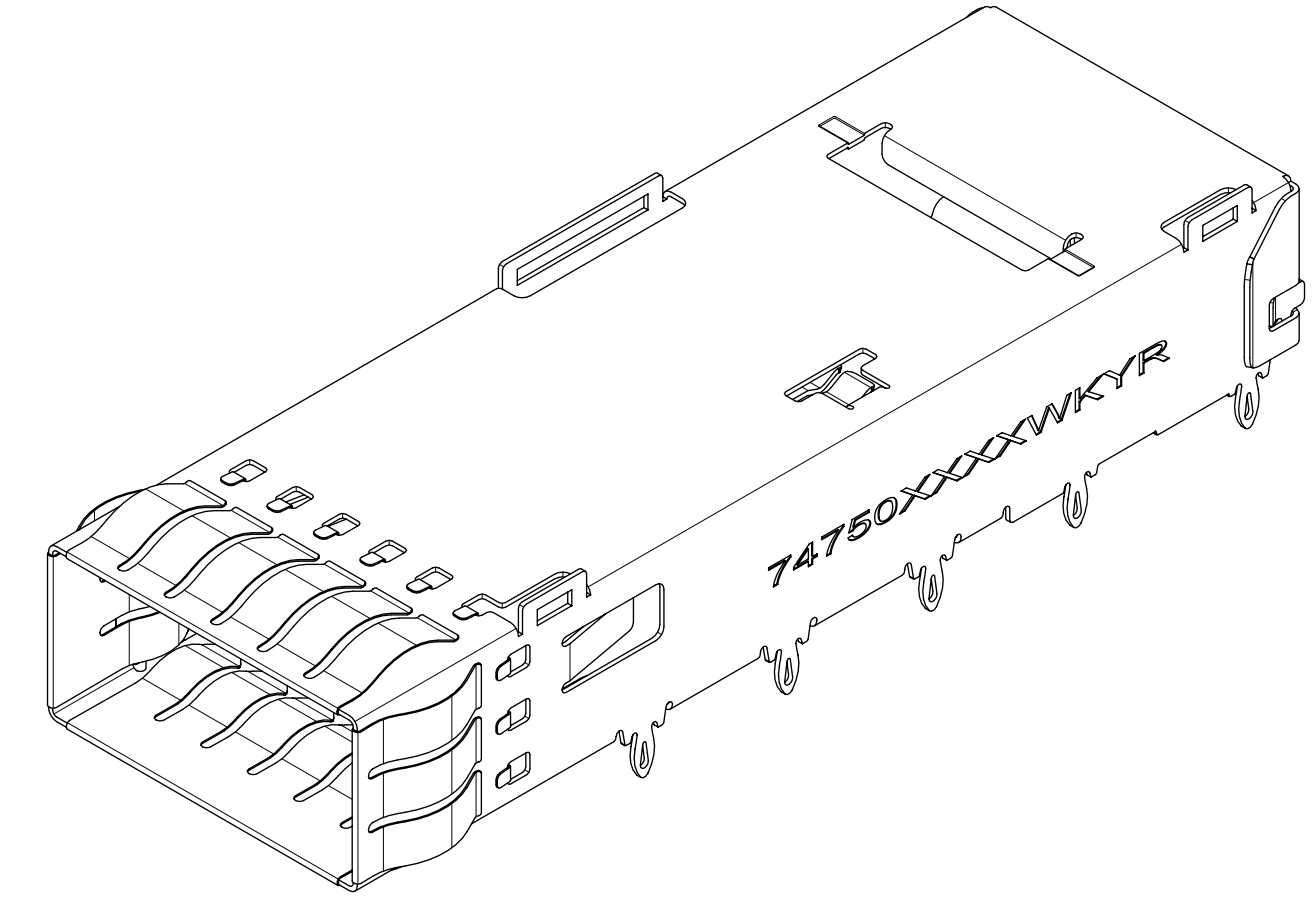
# PART NUMBER SELECTION



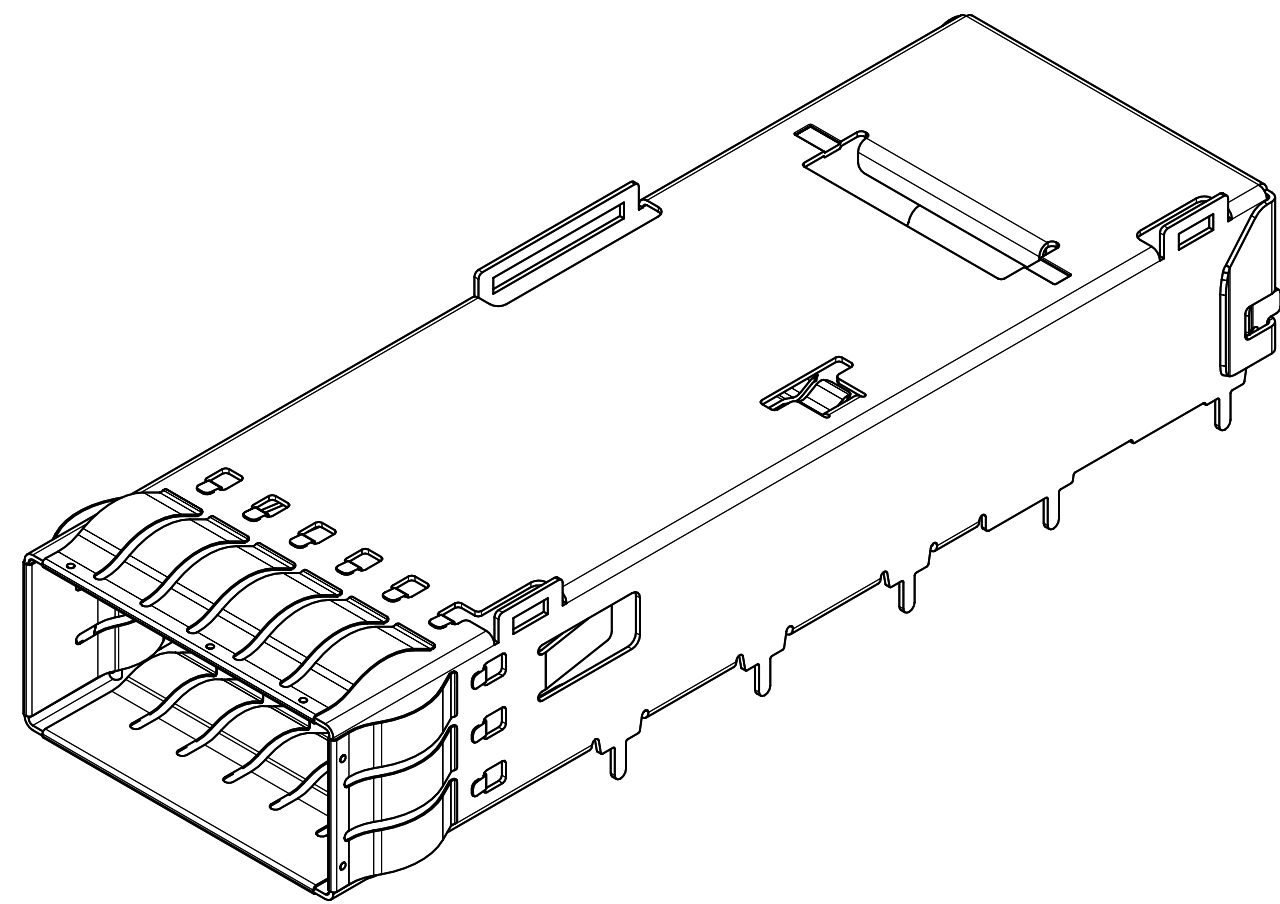
MOLEX P/N	HS	# OF REAR LEGS PER PORT	LEG TYPE	DIM "A"	PLATING
747503040	SAN	2	PRESS FIT-EON	2.28	NICKEL
747503044	PCI	2	PRESS FIT-EON	2.28	NICKEL
747503046	NET	2	PRESS FIT-EON	2.28	NICKEL



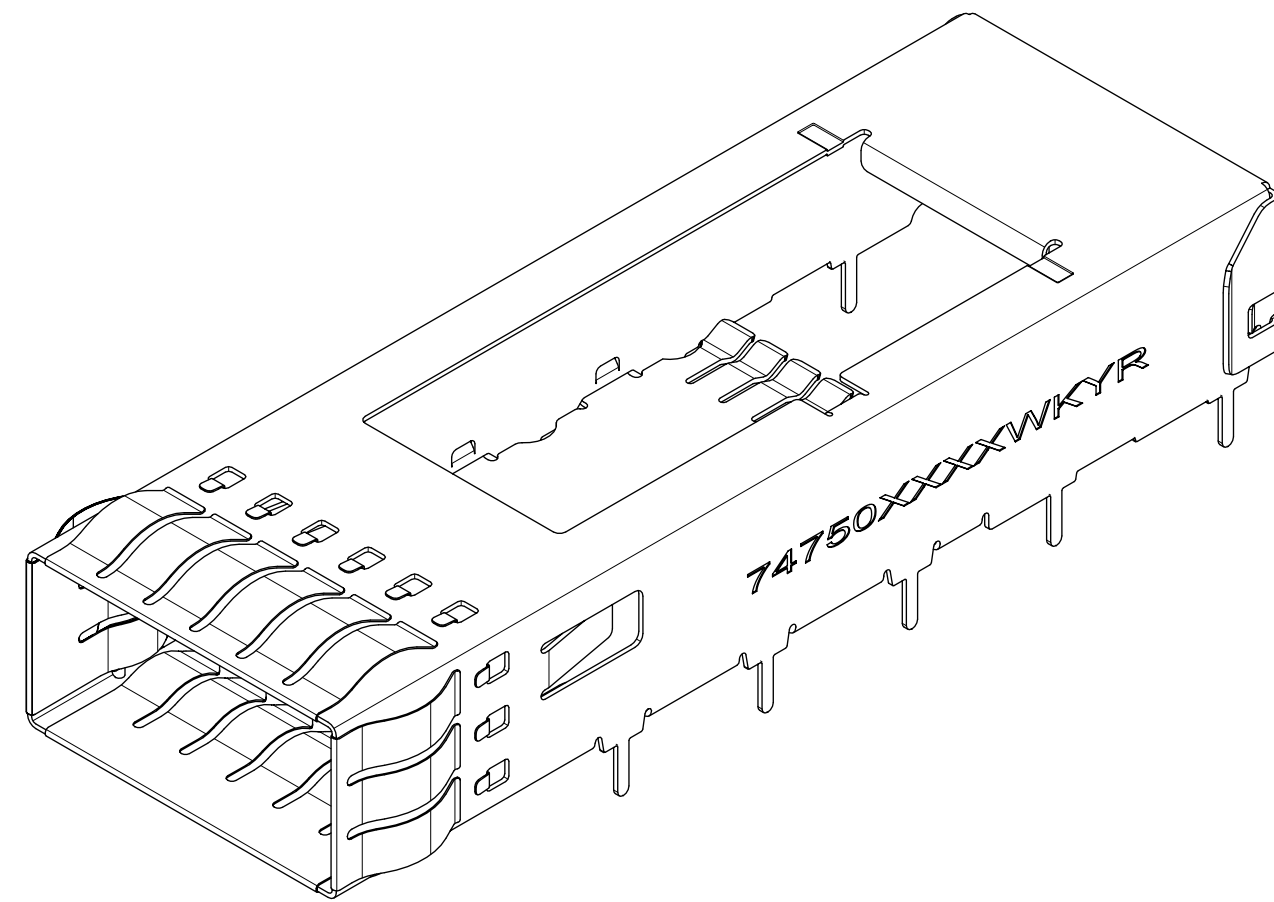
MOLEX P/N	# OF REAR LEGS PER PORT	LEG TYPE	DIM "A"	PLATING
747503024	2	PRESS FIT-EON	2.28	NICKEL



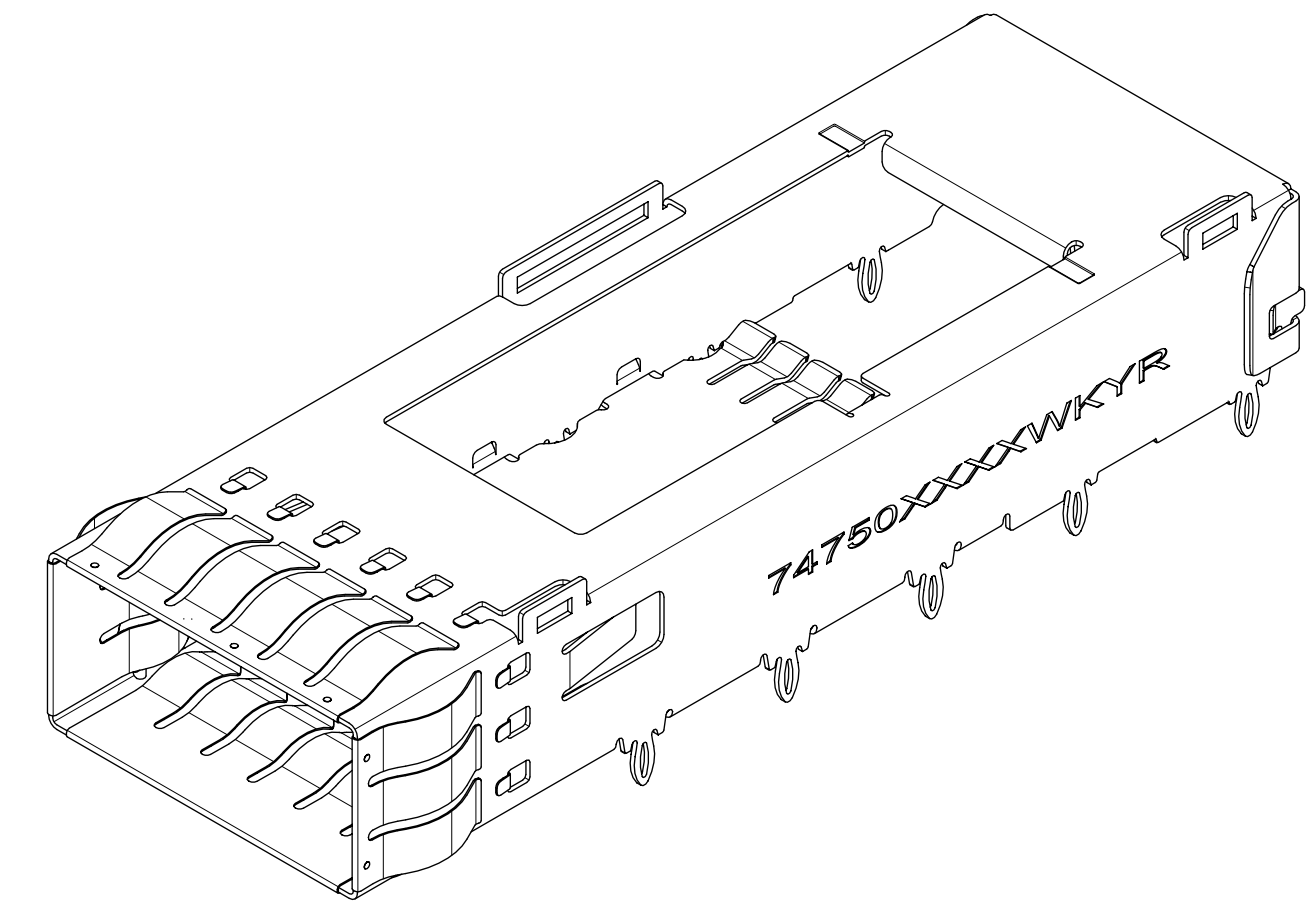
MOLEX P/N	# OF REAR LEGS PER PORT	LEG TYPE	DIM "A"	PLATING
747503102	2	PRESS FIT-TD	2.28	NICKEL



MOLEX P/N	# OF REAR LEGS PER PORT	LEG TYPE	DIM "A"	PLATING
747503051	2	SOLDER POST	1.90	NICKEL



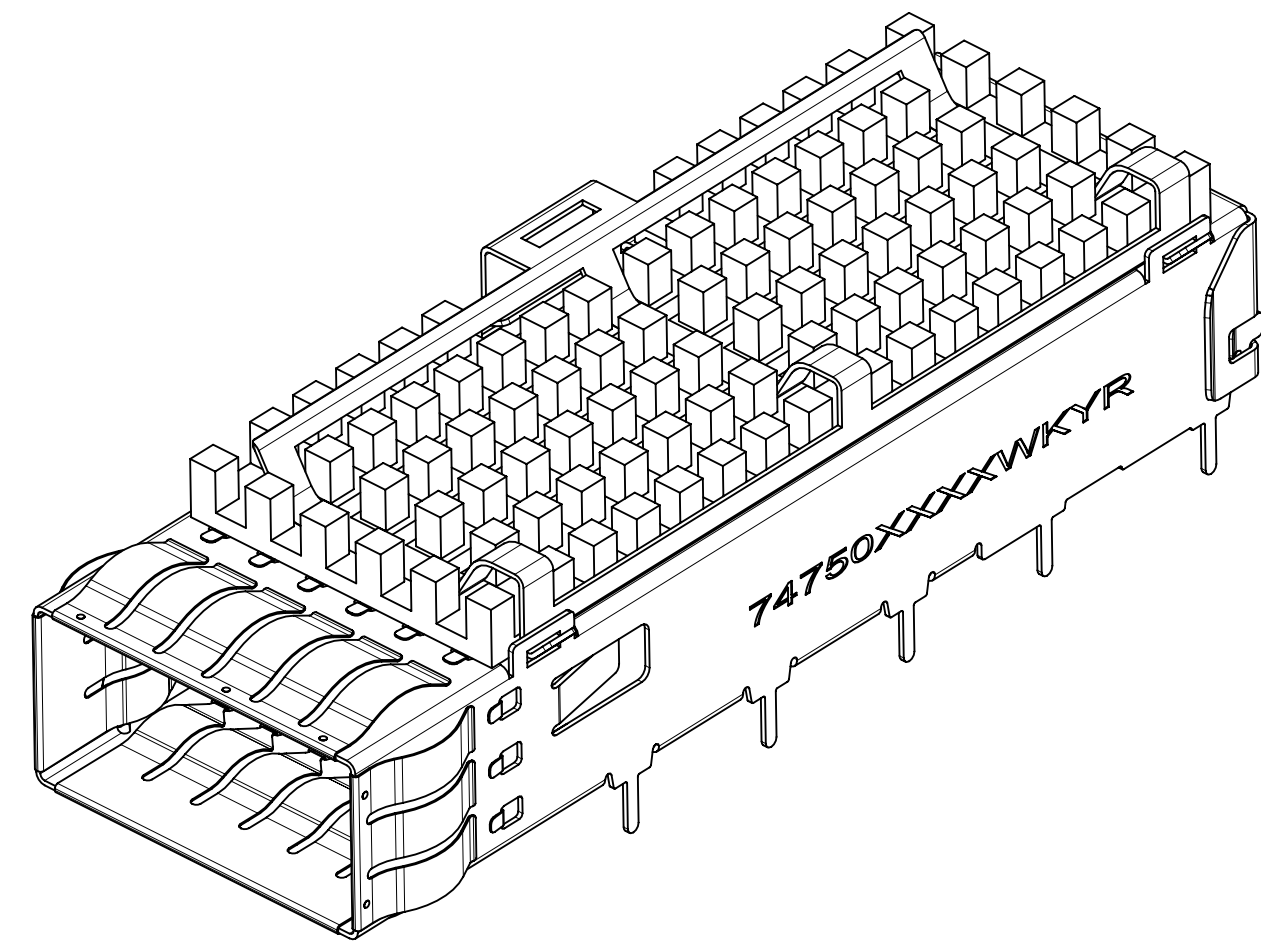
MOLEX P/N	# OF REAR LEGS PER PORT	LEG TYPE	DIM "A"	PLATING
747503062	2	SOLDER POST	2.90	NICKEL



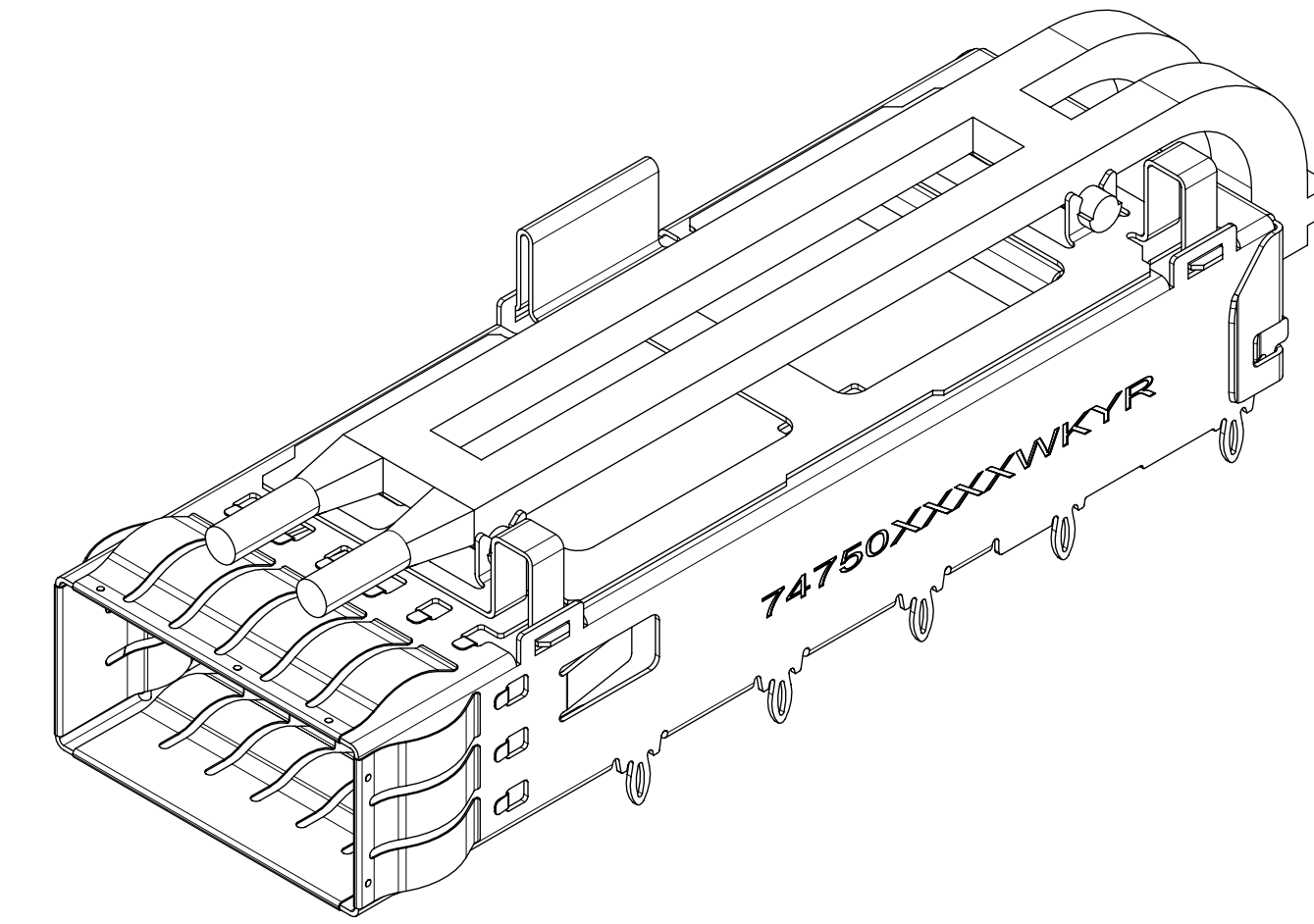
MOLEX P/N	# OF REAR LEGS PER PORT	LEG TYPE	DIM "A"	PLATING
747503021	2	PRESS FIT-EON	2.28	NICKEL
747503023	0	PRESS FIT-EON	2.28	NICKEL

<b>FUNCTIONAL SYMBOLS</b> FA = 0 FE = 0 FP = 0 <b>DIVISIONAL SYMBOLS</b>	THIS DRAWING CONTAINS INFORMATION THAT IS PROPRIETARY TO MOLEX ELECTRONIC TECHNOLOGIES, LLC AND SHOULD NOT BE USED WITHOUT WRITTEN PERMISSION		DIMENSION UNITS: <b>mm</b>		SCALE: <b>3:1</b>		CURRENT REV DESC: SEE REV TABLE.													
	GENERAL TOLERANCES (UNLESS SPECIFIED)		ANGULAR TOL ± 1.0°		4 PLACES ±		EC NO: 723392						DRWN: VISHNM2 2022/09/27							
	3 PLACES ±		2 PLACES ± 0.13		1 PLACE ± 0.25		0 PLACES ±		CHK'D: DKUMARG 2022/10/03		APPR: SCHIEN 2022/10/12		INITIAL REVISION:		DRWN: CHETHH2 2022/02/17		APPR: JCHIANG 2022/03/28		PRODUCT CUSTOMER DRAWING	
	DRAFT WHERE APPLICABLE MUST REMAIN WITHIN DIMENSIONS		THIRD ANGLE PROJECTION		DRAWING: <b>D-SIZE</b>		SERIES: <b>74750</b>		MATERIAL NUMBER: SEE P/N TABLE		CUSTOMER: GENERAL MARKET		DOCUMENT NUMBER: <b>747503021</b>		DOC TYPE: PSD		DOC PART: ASY		REVISION: <b>B</b>	

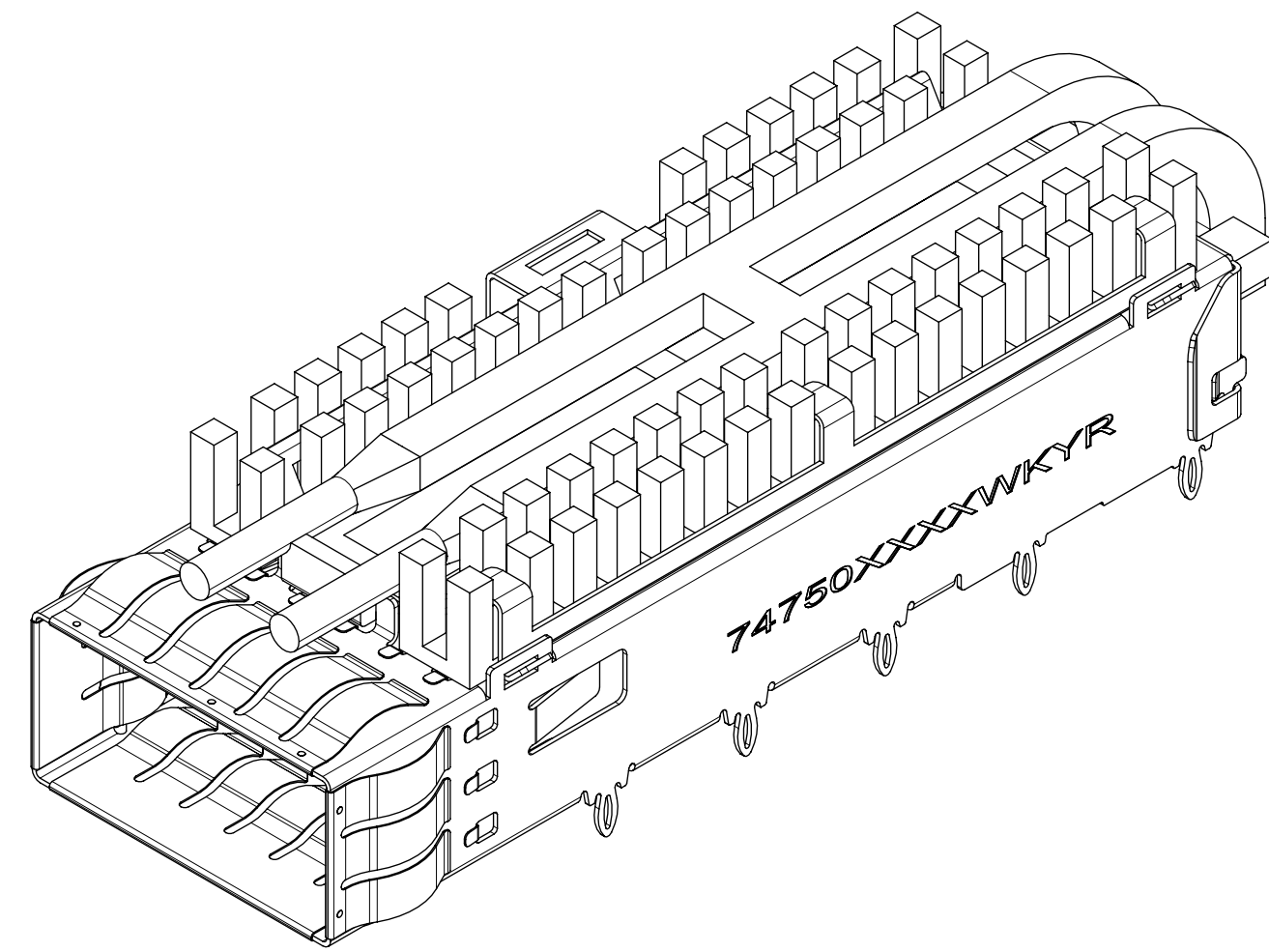
# PART NUMBER SELECTION (CONT)



MOLEX P/N	HS	# OF REAR LEGS PER PORT	LEG TYPE	DIM "A"	PLATING
747503057	PCI	2	SOLDER POST	2.90	NICKEL



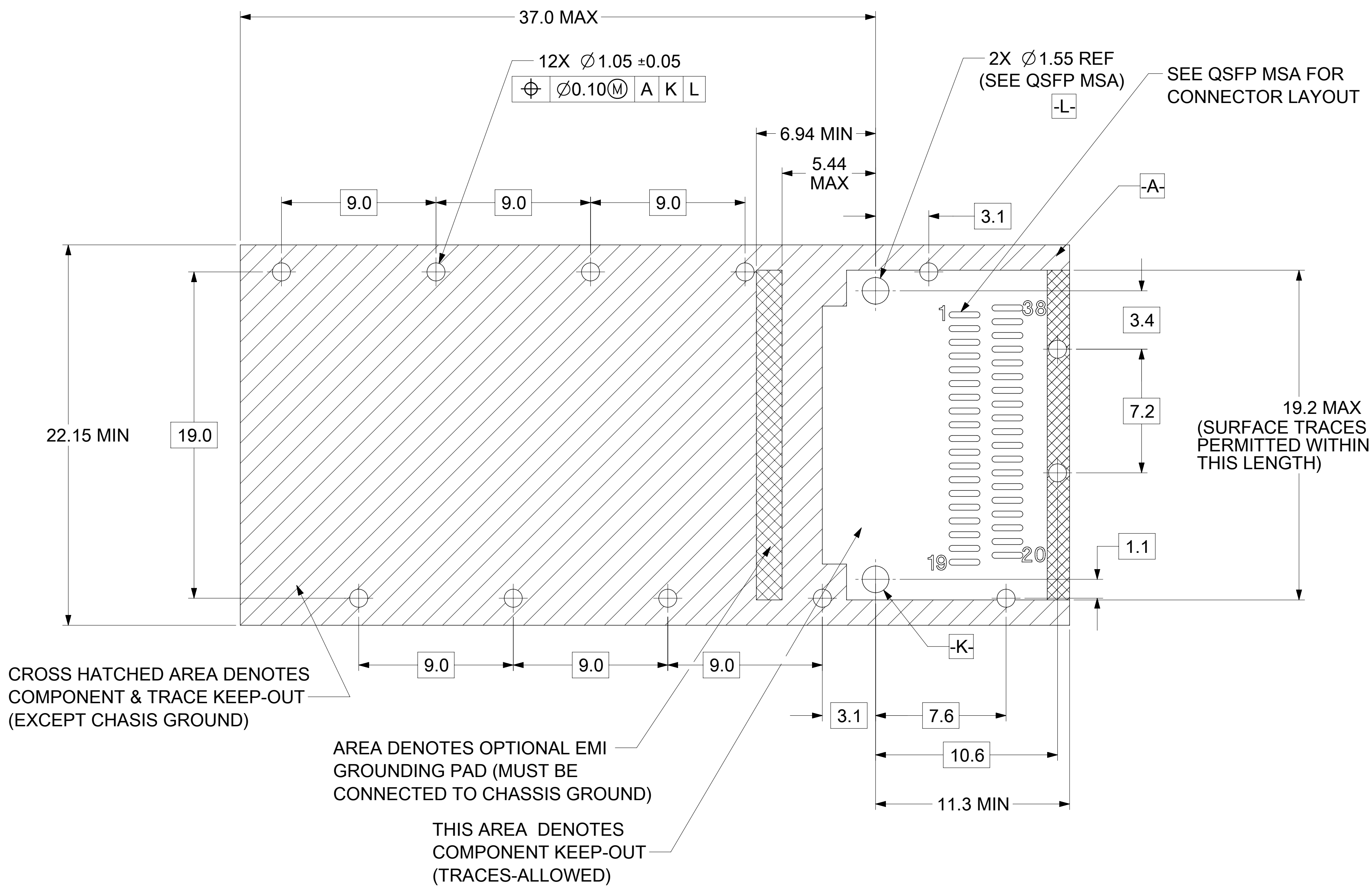
MOLEX P/N	MOLEX CAGE W/O HS ASSEMBLY P/N	LIGHT PIPE ASSEMBLY P/N	TIP STYLE	# OF REAR LEGS PER PORT	LEG TYPE	DIM "A"	DIM "B"	PLATING
747503586	747503024	747500031	ROUND	2	PRESS FIT-EON	2.28	60.25	NICKEL



MOLEX P/N	MOLEX CAGE W/O HS ASSEMBLY P/N	LP SINGLE(747500403) DUAL(747500404)	TIP STYLE	HS	# OF REAR LEGS PER PORT	LEG TYPE	DIM "A"	DIM "B"	PLATING
747503082	747500092	DUAL	ROUND	SAN	2	PRESS FIT-EON	2.28	60.25	NICKEL
747503083	747500092	DUAL	ROUND	NET	2	PRESS FIT-EON	2.28	60.25	NICKEL
747503088	N/A	DUAL	ROUND	NET	2	PRESS FIT-TD	2.28	60.25	NICKEL

FUNCTIONAL SYMBOLS $\nabla_A = 0$ $\nabla_C = 0$ $\nabla_D = 0$ DIVISIONAL SYMBOLS	THIS DRAWING CONTAINS INFORMATION THAT IS PROPRIETARY TO MOLEX ELECTRONIC TECHNOLOGIES, LLC AND SHOULD NOT BE USED WITHOUT WRITTEN PERMISSION		CURRENT REV DESC: SEE REV TABLE.		<p>QSFP+ 1X1 CAGE ASSEMBLY WITH SUS TAB TYPE SPRING FINGER</p> <p>PRODUCT CUSTOMER DRAWING</p>	
	DIMENSION UNITS	SCALE	EC NO: 723392			
	mm	3:1	DRWN: VISHNM2 2022/09/27			
	GENERAL TOLERANCES (UNLESS SPECIFIED)		CHK'D: DKUMARG 2022/10/03			
ANGULAR TOL $\pm 1.0^\circ$		APPR: SCHIEN 2022/10/12		DOCUMENT NUMBER	DOC TYPE   DOC PART   REVISION	
4 PLACES $\pm$		INITIAL REVISION:		747503021	PSD   ASY   B	
3 PLACES $\pm$		DRWN: CHETHH2 2022/02/17		SEE P/N TABLE	GENERAL MARKET	
2 PLACES $\pm 0.13$		APPR: JCHIANG 2022/03/28		SHEET NUMBER		
1 PLACE $\pm 0.25$		DRAFT WHERE APPLICABLE MUST REMAIN WITHIN DIMENSIONS		6 OF 11		
0 PLACES $\pm$		THIRD ANGLE PROJECTION	DRAWING	SERIES	MATERIAL NUMBER	CUSTOMER
			D-SIZE	74750	SEE P/N TABLE	GENERAL MARKET

# PCB LAYOUT FOR SINGLE SIDED MOUNTING



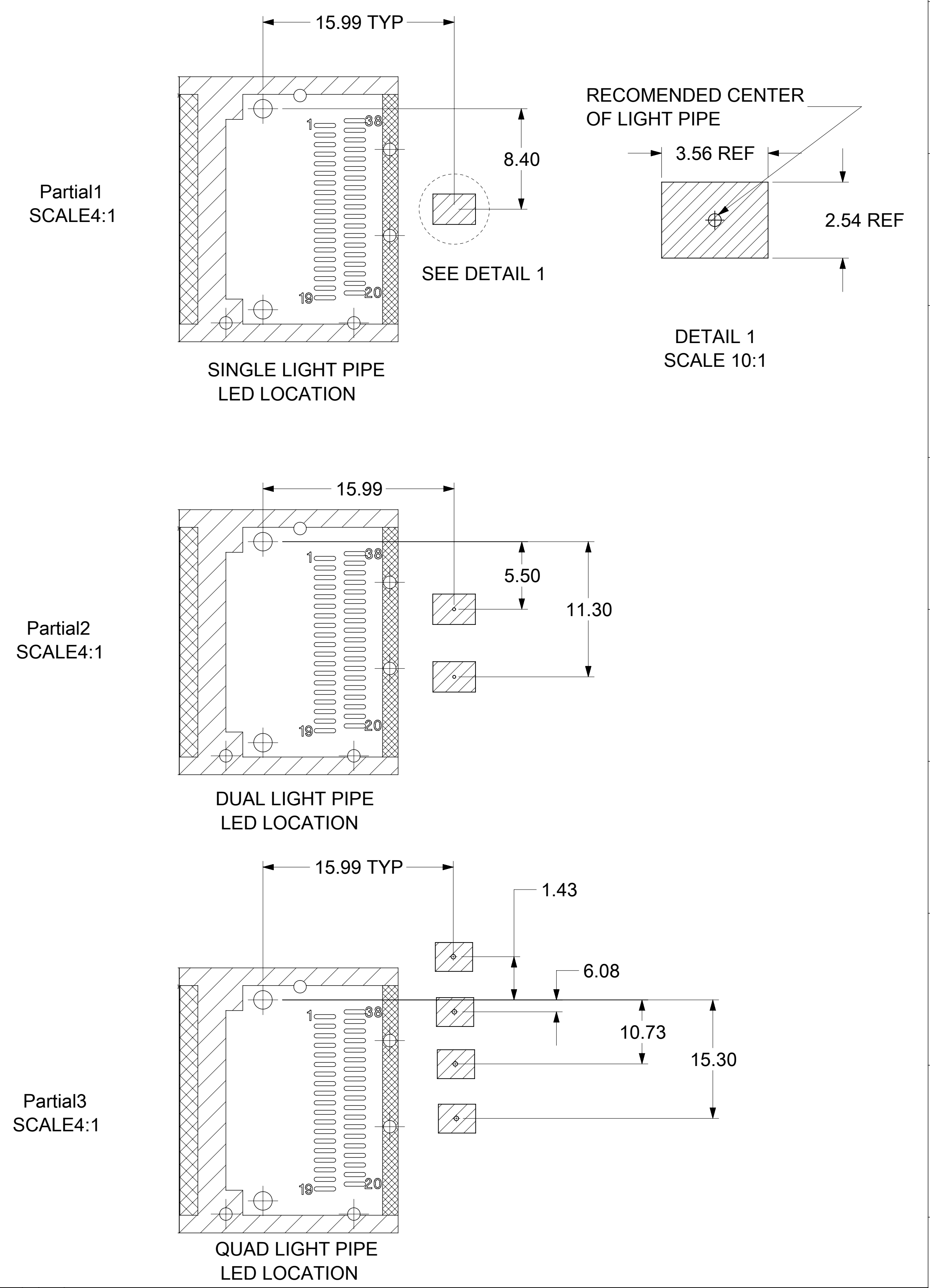
CROSS HATCHED AREA DENOTES COMPONENT & TRACE KEEP-OUT (EXCEPT CHASSIS GROUND)

AREA DENOTES OPTIONAL EMI GROUNDING PAD (MUST BE CONNECTED TO CHASSIS GROUND)

THIS AREA DENOTES COMPONENT KEEP-OUT (TRACES-ALLOWED)

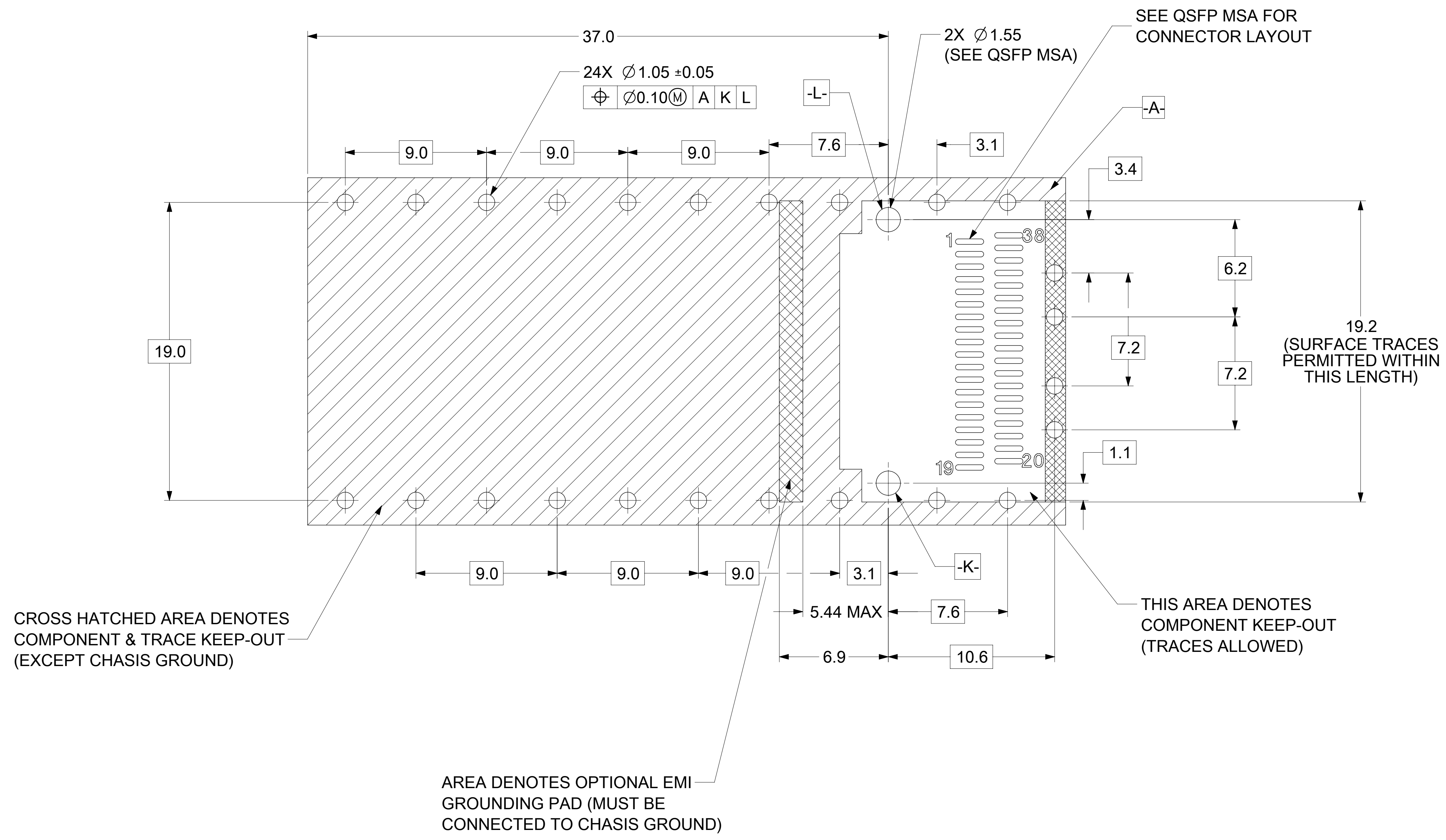
- NOTES:**
- DATUM -A- IS TOP SURFACE OF HOST BOARD PER MSA
  - FINISHED HOLE SIZE (AFTER PLATING)
  - DATUM -K- IS HOST BOARD THRU HOLE #1 TO ACCEPT CONNECTOR GUIDE POST PER MSA
  - DATUM -L- IS HOST BOARD THRU HOLE #2 TO ACCEPT CONNECTOR GUIDE POST PER MSA
  - SINGLE SIDED BOARD THICKNESS  
MINIMUM: 1.57 [0.061"] FOR 3.05MM & 2.90MM LEGS.  
MINIMUM: 1.44 [0.057"] FOR 2.28MM & 1.90MM LEGS.
  - LED SHOULD BE PLACED RELATIVE TO THE QSFP CONNECTOR POST HOLES.

# HOST CONNECTOR DETAIL



FUNCTIONAL SYMBOLS										THIS DRAWING CONTAINS INFORMATION THAT IS PROPRIETARY TO MOLEX ELECTRONIC TECHNOLOGIES, LLC AND SHOULD NOT BE USED WITHOUT WRITTEN PERMISSION									
FA = 0		mm		SCALE 6:1		CURRENT REV DESC: SEE REV TABLE.													
FC = 0		GENERAL TOLERANCES (UNLESS SPECIFIED)										<p><b>molex</b></p> <p>QSFP+ 1X1 CAGE ASSEMBLY WITH SUS TAB TYPE SPRING FINGER</p> <p>PRODUCT CUSTOMER DRAWING</p>							
FD = 0		ANGULAR TOL ± 1.0°																	
DIVISIONAL SYMBOLS		4 PLACES ±		3 PLACES ±		2 PLACES ± 0.13		1 PLACE ± 0.25		0 PLACES ±		EC NO: 723392				2022/09/27			
		3 PLACES ±		2 PLACES ± 0.13		1 PLACE ± 0.25		0 PLACES ±		DRWN: VISHNM2				2022/10/03					
		2 PLACES ± 0.13		1 PLACE ± 0.25		0 PLACES ±		DRWN: CHETHH2				2022/02/17							
		1 PLACE ± 0.25		0 PLACES ±		DRWN: JCHIANG				2022/03/28									
		0 PLACES ±		INITIAL REVISION:				APPR: JCHIANG											
		DRAFT WHERE APPLICABLE MUST REMAIN WITHIN DIMENSIONS				THIRD ANGLE PROJECTION		DRAWING D-SIZE		SERIES 74750		MATERIAL NUMBER SEE P/N TABLE		CUSTOMER GENERAL MARKET		SHEET NUMBER 7 OF 11			

# PCB LAYOUT FOR BELLY TO BELLY MOUNTING



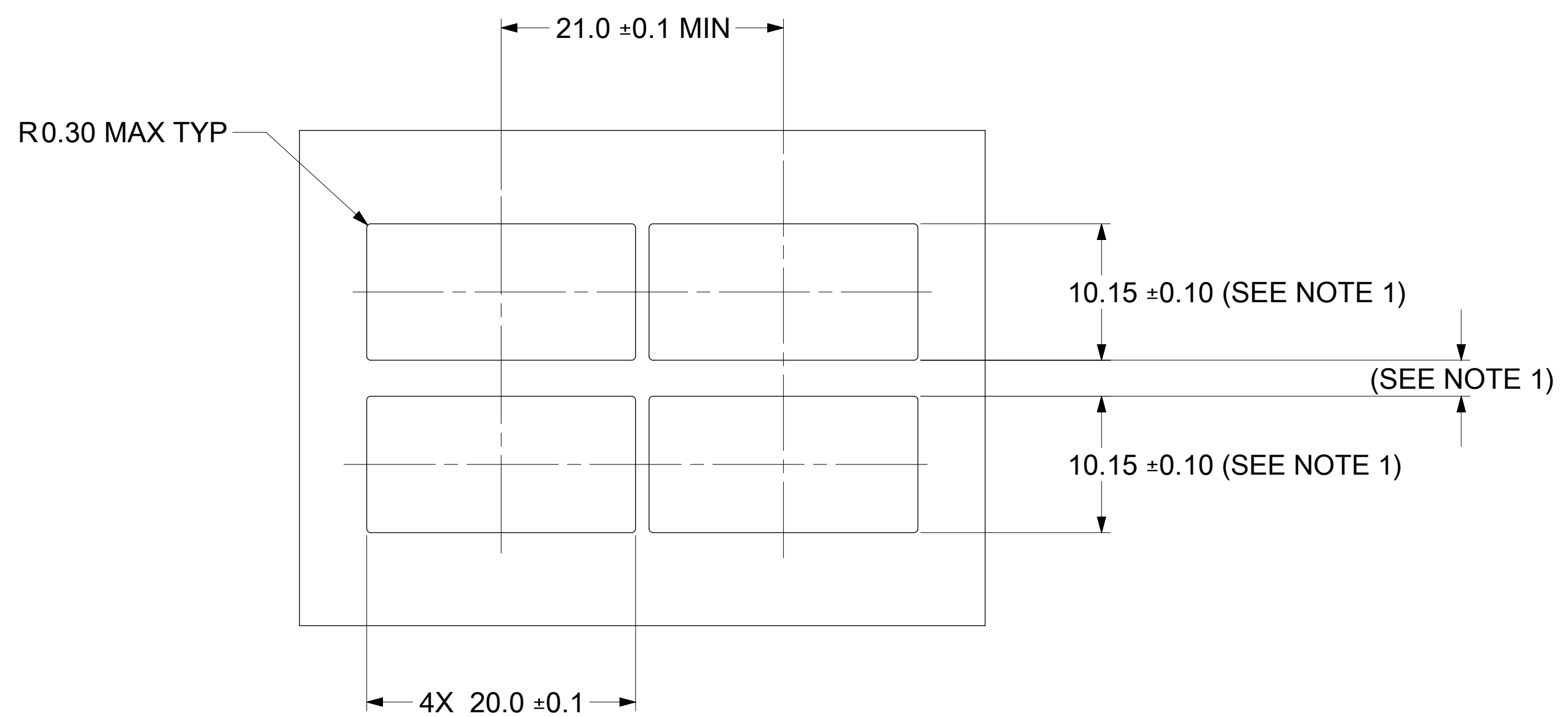
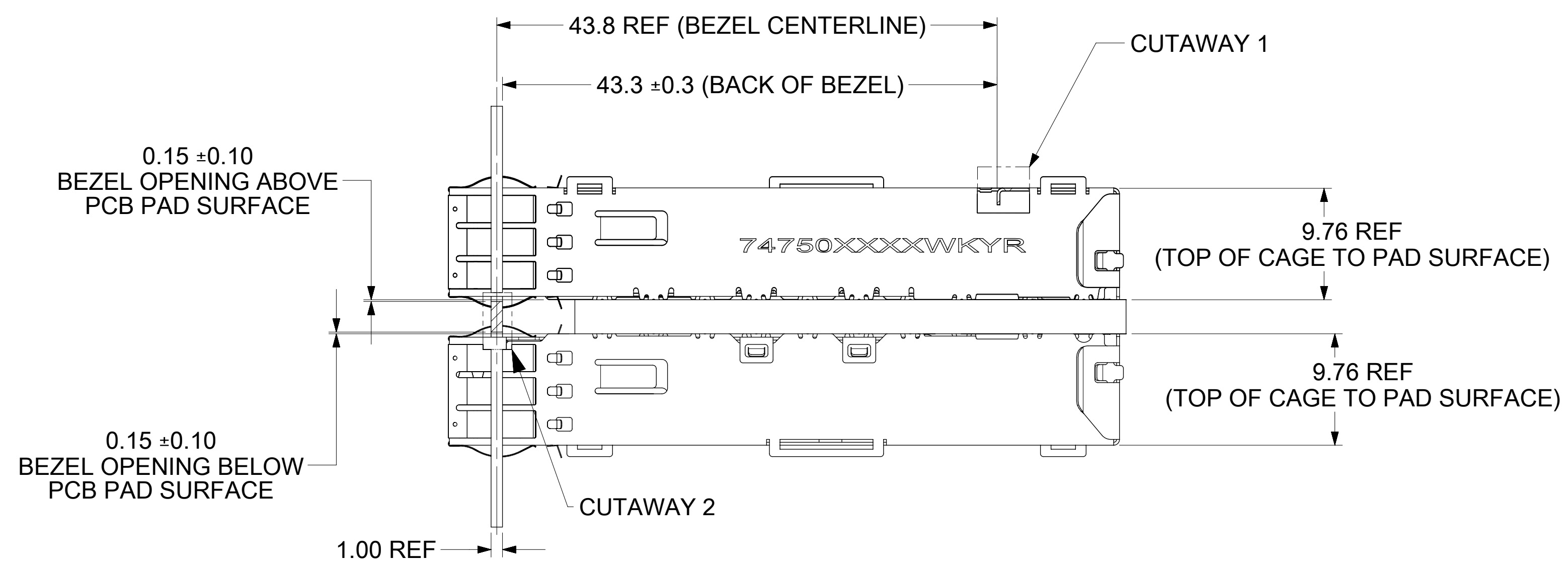
**NOTE:**  
SEE PREVIOUS SHEET FOR  
HOST CONNECTOR DETAIL  
AND LED LOCATION DETAILS

- NOTES:**
- DATUM -A- IS TOP SURFACE OF HOST BOARD PER MSA.
  - FINISHED HOLE SIZE (AFTER PLATING).
  - DATUM -K- IS HOST BOARD THRU HOLE #1 TO ACCEPT CONNECTOR GUIDE POST PER MSA.
  - DATUM -L- IS HOST BOARD THRU HOLE #2 TO ACCEPT CONNECTOR GUIDE POST PER MSA.
  - BELLY TO BELLY BOARD THICKNESS:  
MINIMUM: 3.00 [0.118"] FOR 3.05MM LEGS.  
MINIMUM: 2.07 [0.081"] FOR 2.28MM LEGS.  
1.90MM AND 2.90MM SOLDER POST LEGS CANNOT BE MOUNTED BELLY TO BELLY

FUNCTIONAL SYMBOLS	THIS DRAWING CONTAINS INFORMATION THAT IS PROPRIETARY TO MOLEX ELECTRONIC TECHNOLOGIES, LLC AND SHOULD NOT BE USED WITHOUT WRITTEN PERMISSION		CURRENT REV DESC: SEE REV TABLE.		<b>molex</b>
	DIMENSION UNITS	SCALE			
$F_A = 0$	mm	6:1			QSFP+ 1X1 CAGE ASSEMBLY WITH SUS TAB TYPE SPRING FINGER
$F_C = 0$	GENERAL TOLERANCES (UNLESS SPECIFIED)				
$F_P = 0$	ANGULAR TOL ± 1.0°				PRODUCT CUSTOMER DRAWING
DIVISIONAL SYMBOLS	4 PLACES	±	EC NO: 723392		
	3 PLACES	±	DRWN: VISHNM2 2022/09/27		
	2 PLACES	± 0.13	CHK'D: DKUMARG 2022/10/03		
	1 PLACE	± 0.25	APPR: SCHIEN 2022/10/12		
	0 PLACES	±	INITIAL REVISION:		
	DRAFT WHERE APPLICABLE MUST REMAIN WITHIN DIMENSIONS		DRWN: CHETHH2 2022/02/17		DOCUMENT NUMBER <b>747503021</b>
	THIRD ANGLE PROJECTION		APPR: JCHIANG 2022/03/28		
	DRAWING		SERIES		DOC TYPE
	D-SIZE		74750		DOC PART
	SEE P/N TABLE		GENERAL MARKET		REVISION
					PSD ASY B
					SHEET NUMBER
					8 OF 11

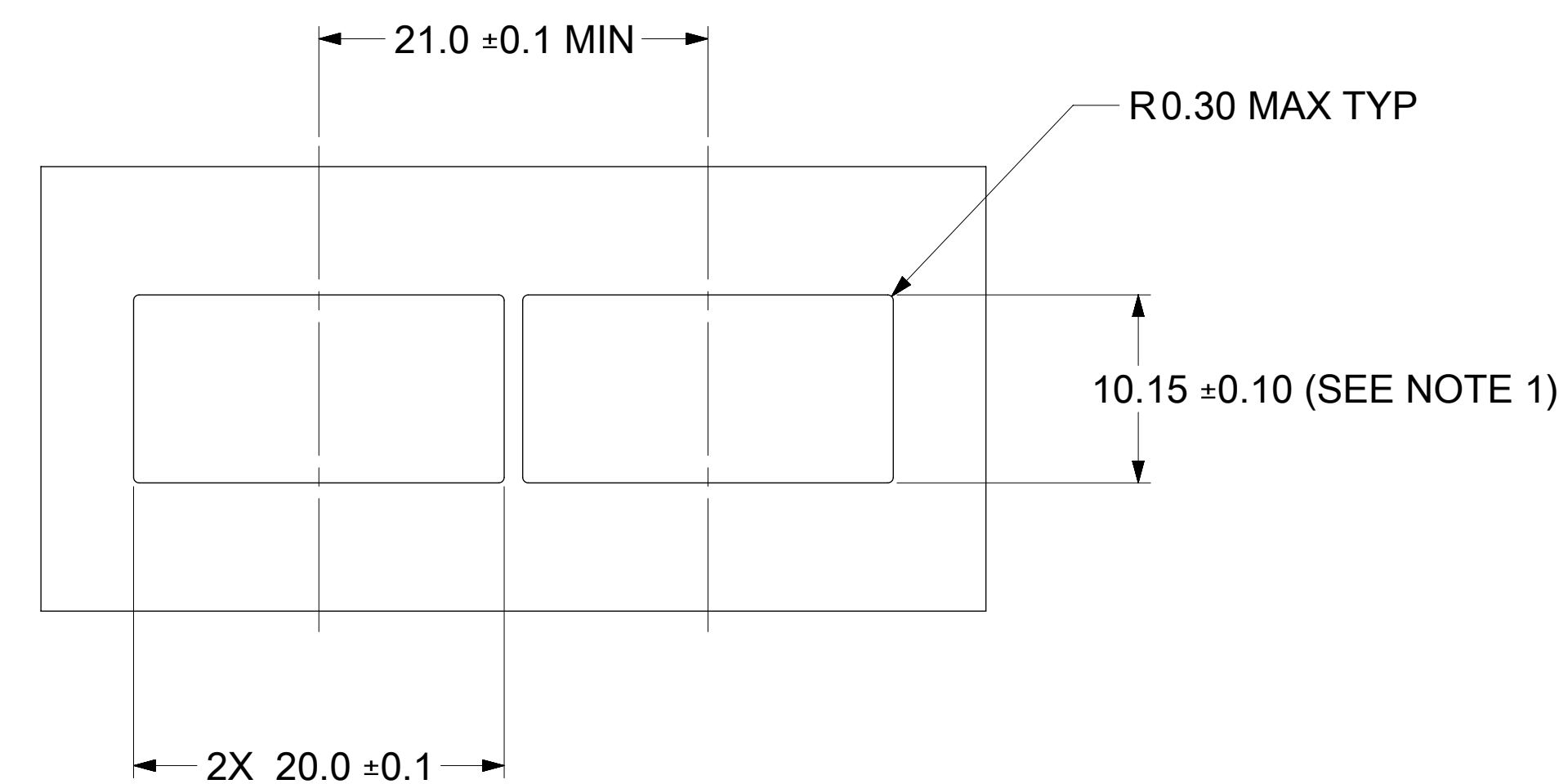
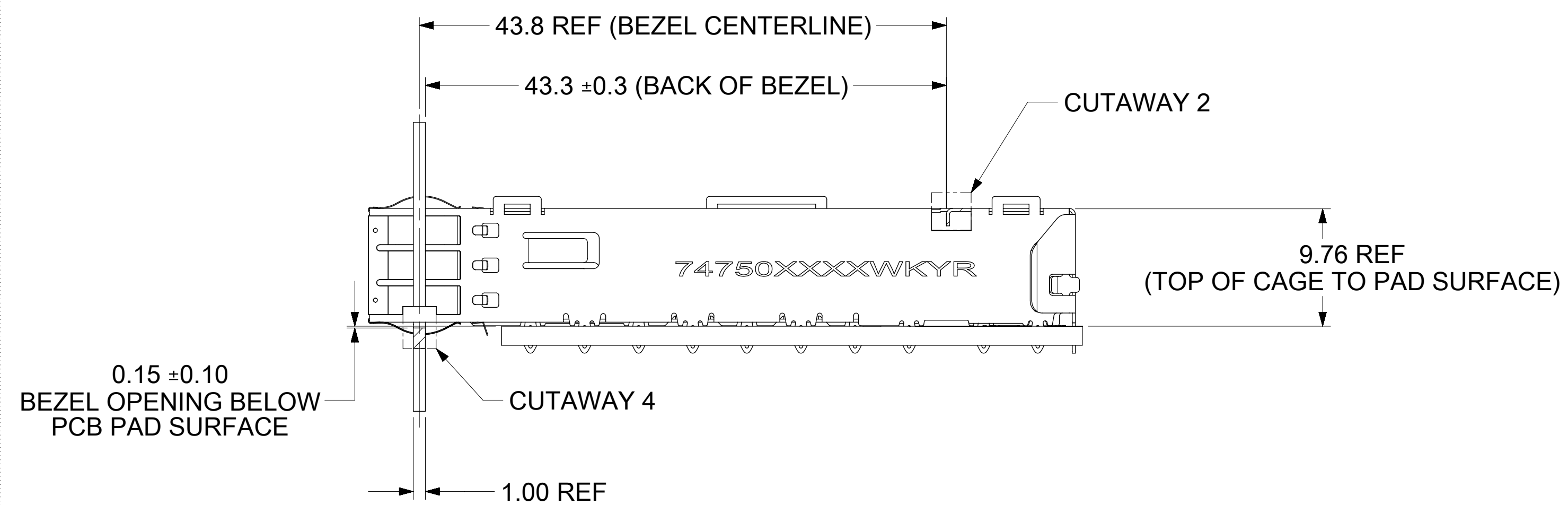


# BOARD POSITION AND BEZEL DIMENSIONS FOR BELLY TO BELLY MOUNTING



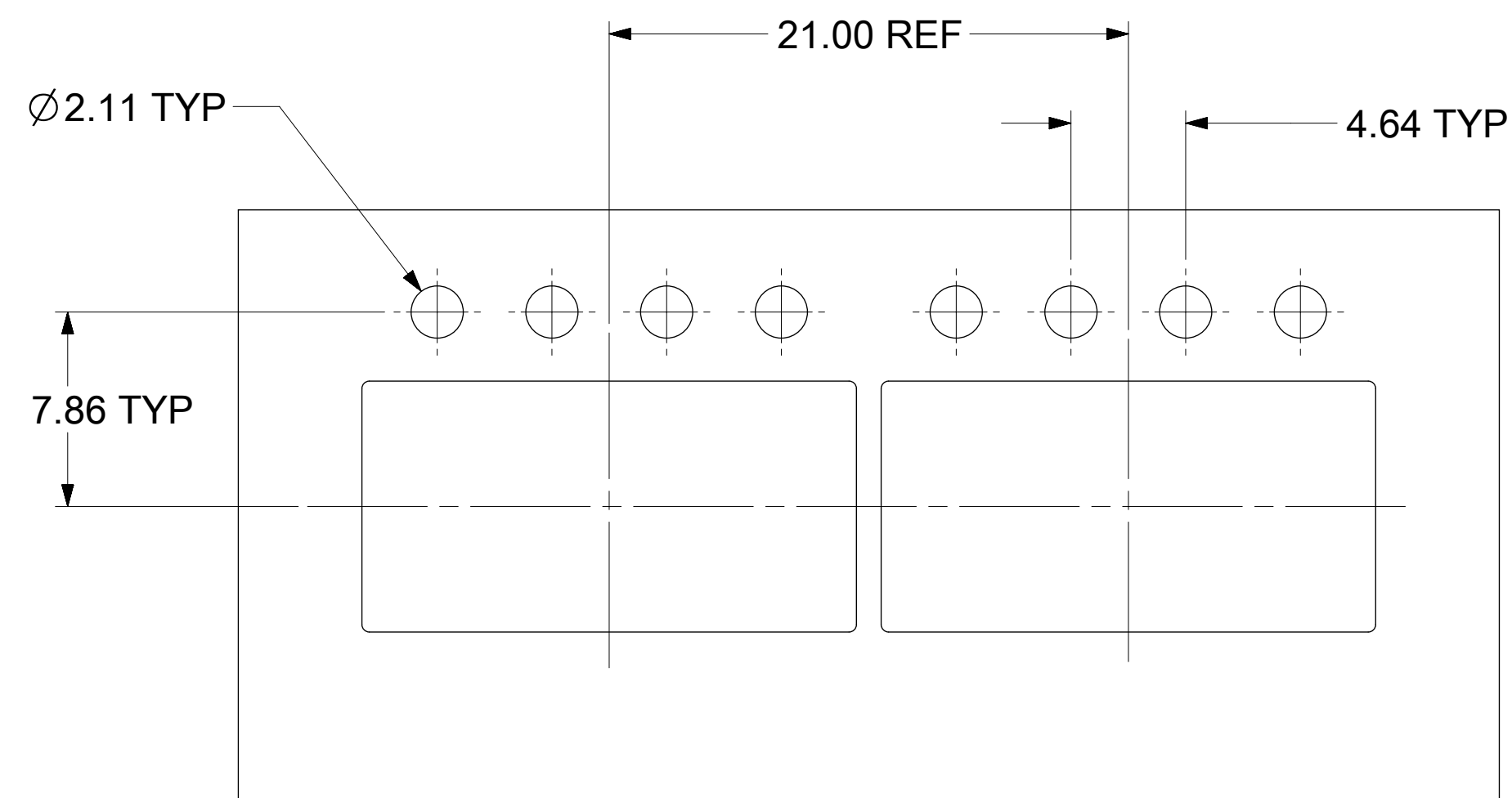
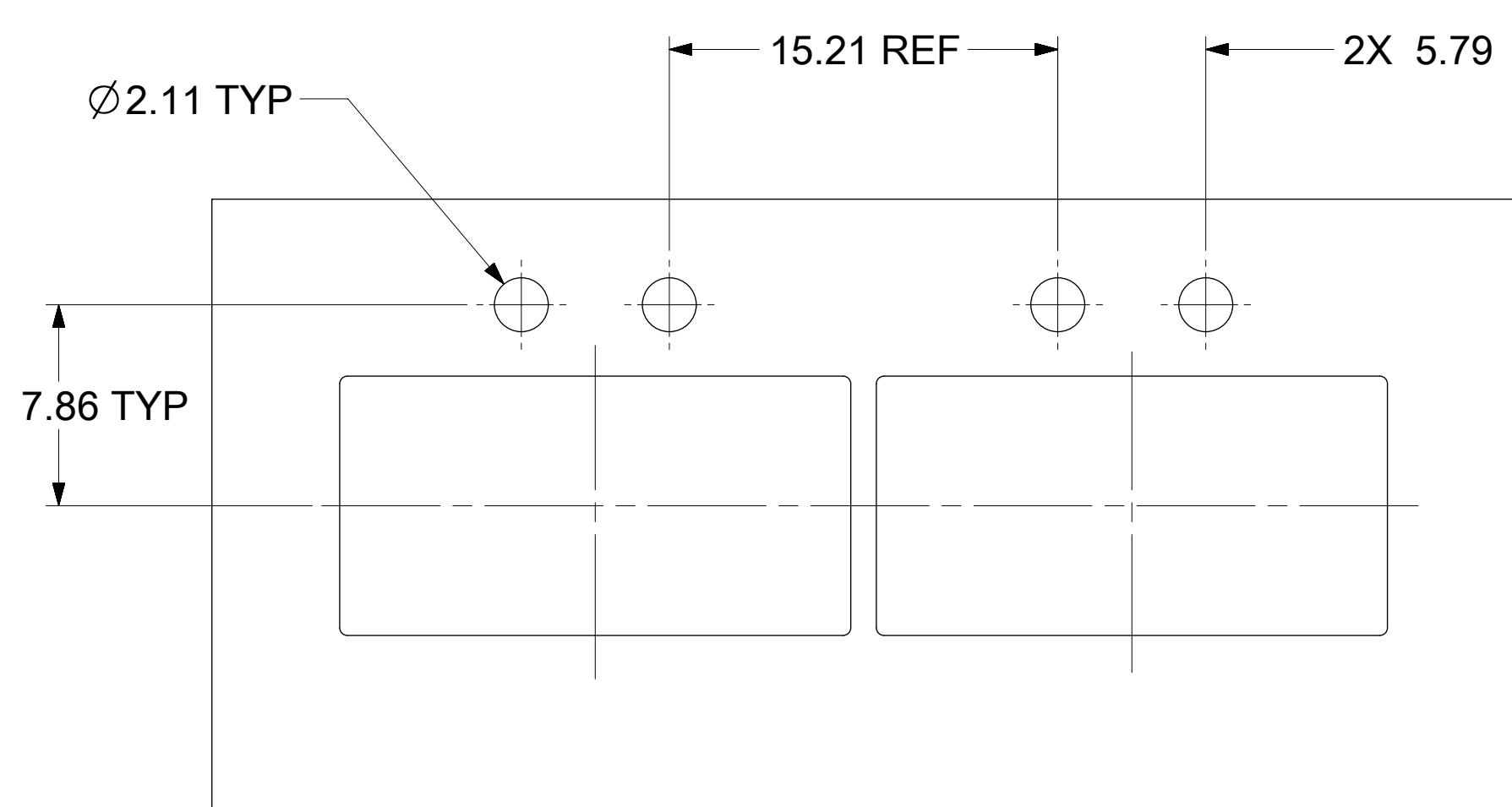
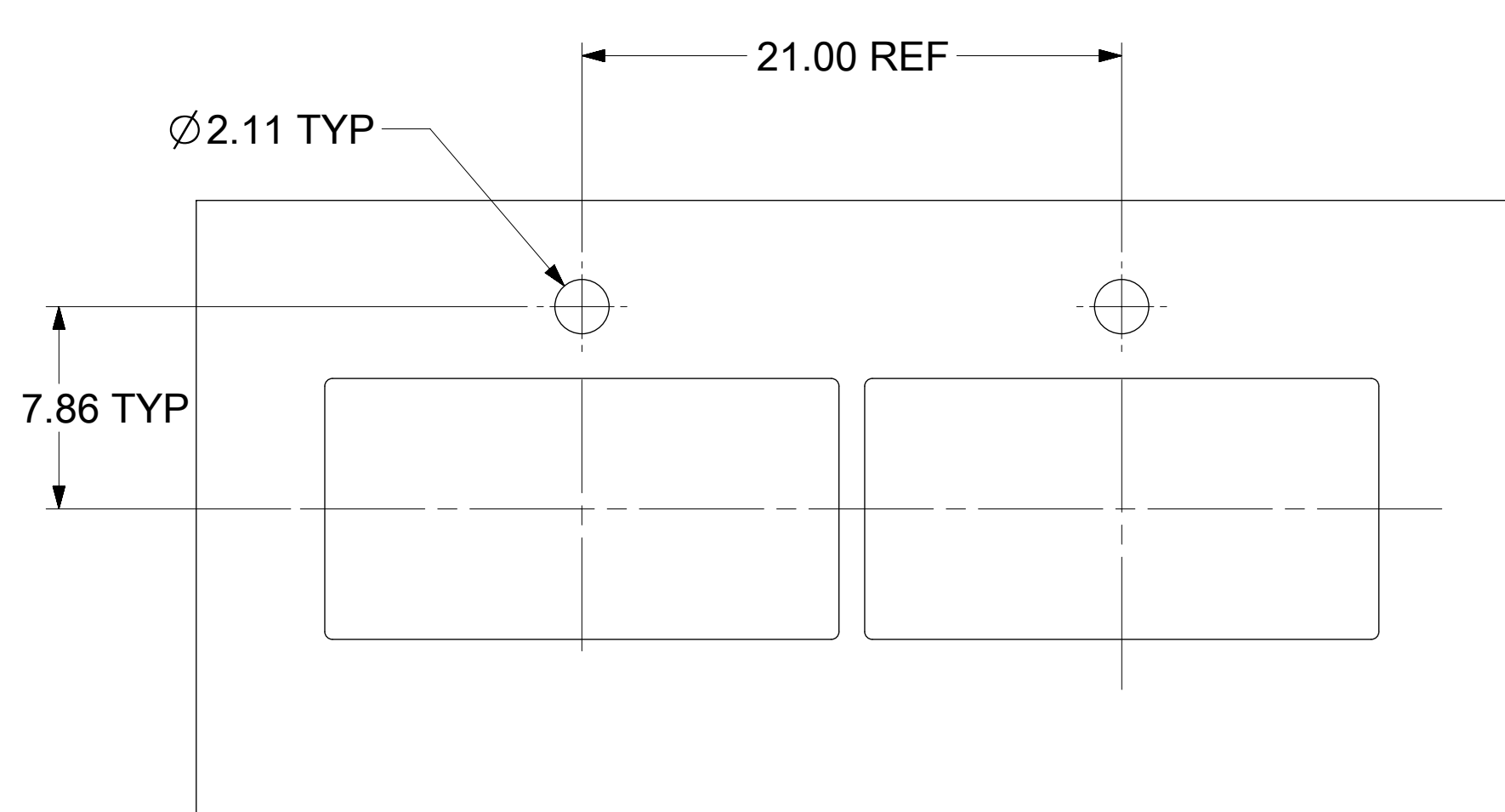
NOTE:  
 1. PCB THICKNESS VARIATION MUST BE CONSIDERED WHEN DETERMINING BEZEL OPENING, SIZE, AND LOCATION.  
 2. SEE QSFP MSA SPECIFICATION FOR BEZEL LOCATION TOLERANCE.

# BOARD POSITION AND BEZEL DIMENSIONS FOR SINGLE SIDE MOUNTING



<b>FUNCTIONAL SYMBOLS</b> $F_A = 0$ $F_C = 0$ $F_P = 0$	THIS DRAWING CONTAINS INFORMATION THAT IS PROPRIETARY TO MOLEX ELECTRONIC TECHNOLOGIES, LLC AND SHOULD NOT BE USED WITHOUT WRITTEN PERMISSION		CURRENT REV DESC: SEE REV TABLE.				
	DIMENSION UNITS	SCALE	EC NO: 723392				
	mm	3:1	DRWN: VISHNM2	2022/09/27			
	GENERAL TOLERANCES (UNLESS SPECIFIED)		CHK'D: DKUMARG	2022/10/03			
ANGULAR TOL ± 1.0°		APPR: SCHIEN	2022/10/12	PRODUCT CUSTOMER DRAWING			
<b>DIVISIONAL SYMBOLS</b>	4 PLACES	±	INITIAL REVISION:	DOCUMENT NUMBER	DOC TYPE	DOC PART	REVISION
	3 PLACES	±	DRWN: CHETHH2	747503021	PSD	ASY	B
	2 PLACES	± 0.13	APPR: JCHIANG	2022/02/17			
	1 PLACE	± 0.25		2022/03/28			
DRAFT WHERE APPLICABLE MUST REMAIN WITHIN DIMENSIONS		THIRD ANGLE PROJECTION	DRAWING	SERIES	MATERIAL NUMBER	CUSTOMER	SHEET NUMBER
			D-SIZE	74750	SEE P/N TABLE	GENERAL MARKET	9 OF 11

# LIGHT PIPE CUTOUT DIMENSIONS



FUNCTIONAL SYMBOLS	THIS DRAWING CONTAINS INFORMATION THAT IS PROPRIETARY TO MOLEX ELECTRONIC TECHNOLOGIES, LLC AND SHOULD NOT BE USED WITHOUT WRITTEN PERMISSION		
	DIMENSION UNITS	SCALE	CURRENT REV DESC: SEE REV TABLE.
$\nabla_A = 0$	mm	4:1	EC NO: 723392 DRWN: VISHNM2 2022/09/27 CHK'D: DKUMARG 2022/10/03 APPR: SCHIEN 2022/10/12 INITIAL REVISION: DRWN: CHETHH2 2022/02/17 APPR: JCHIANG 2022/03/28
$\nabla_C = 0$	GENERAL TOLERANCES (UNLESS SPECIFIED)		
$\nabla_D = 0$	ANGULAR TOL $\pm 1.0^\circ$		
DIVISIONAL SYMBOLS	4 PLACES	$\pm$	
	3 PLACES	$\pm$	
	2 PLACES	$\pm 0.13$	
	1 PLACE	$\pm 0.25$	
	0 PLACES	$\pm$	
DRAFT WHERE APPLICABLE MUST REMAIN WITHIN DIMENSIONS		THIRD ANGLE PROJECTION	DRAWING D-SIZE SERIES 74750 MATERIAL NUMBER SEE P/N TABLE CUSTOMER GENERAL MARKET SHEET NUMBER 10 OF 11

**molex**

QSFP+ 1X1 CAGE ASSEMBLY  
WITH SUS TAB TYPE SPRING FINGER

PRODUCT CUSTOMER DRAWING

DOCUMENT NUMBER	DOC TYPE	DOC PART	REVISION
747503021	PSD	ASY	B

REV	DATE	DESCRIPTION
A	2022/02/17	1. INITIAL RELEASE
A1	2022/06/27	SHEET 02: C17: CORRECTED THE LEG OPTIONS DETAIL VIEW'S TO HIDE UNWANTED LEGS. SHEET 09: J06 : HIDE UNWANTED LEGS FROM THE VIEW.
B	2022/10/03	SHEET 06: J17 : ADDED P/N TABLE & ISO VIEW OF P/N 747503057. SHEET 09: H16 : CAGE ASSEMBLY ERROR CORRECTED.

FUNCTIONAL SYMBOLS	THIS DRAWING CONTAINS INFORMATION THAT IS PROPRIETARY TO MOLEX ELECTRONIC TECHNOLOGIES, LLC AND SHOULD NOT BE USED WITHOUT WRITTEN PERMISSION										
	DIMENSION UNITS	SCALE	CURRENT REV DESC: SEE REV TABLE.							<b>molex</b>	
$\nabla_A = 0$	mm	1:1									
$\nabla_C = 0$	GENERAL TOLERANCES (UNLESS SPECIFIED)									EC NO: 723392 DRWN: VISHNM2 2022/09/27 CHK'D: DKUMARG 2022/10/03 APPR: SCHIEN 2022/10/12	
$\nabla_P = 0$	ANGULAR TOL $\pm$ 1.0°										
DIVISIONAL SYMBOLS	4 PLACES	$\pm$	INITIAL REVISION:							DOCUMENT NUMBER	
	3 PLACES	$\pm$	DRWN: CHETHH2 2022/02/17							747503021	
	2 PLACES	$\pm$ 0.13	APPR: JCHIANG 2022/03/28							PSD	AS Y
	1 PLACE	$\pm$ 0.25								B	REVISION
0 PLACES	$\pm$										
DRAFT WHERE APPLICABLE MUST REMAIN WITHIN DIMENSIONS		THIRD ANGLE PROJECTION	DRAWING	SERIES	MATERIAL NUMBER	CUSTOMER	SHEET NUMBER				
			D-SIZE	74750	SEE P/N TABLE	GENERAL MARKET	11 OF 11				