

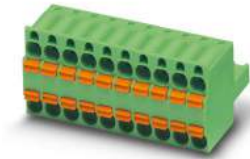
TFKC 2,5 HC/ 6-ST-5,08 - PCB connector



1969153

<https://www.phoenixcontact.com/pc/products/1969153>

Please be informed that the data shown in this PDF document is generated from our online catalog. Please find the complete data in the user documentation. Our general terms of use for downloads are valid.



PCB connector, nominal cross section: 2.5 mm², color: green, nominal current: 16 A, rated voltage (III/2): 320 V, contact surface: Tin, contact connection type: Socket, number of potentials: 6, number of rows: 1, number of positions: 6, number of connections: 12, product range: TFKC 2,5HC/...-ST, pitch: 5.08 mm, connection method: Push-in spring connection, conductor/PCB connection direction: 0 °, locking clip: - without locking clip, plug-in system: COMBICON MSTB 2,5 HC, locking: without, mounting: without, type of packaging: packed in cardboard

Your advantages

- Time saving push-in connection, tools not required
- Defined contact force ensures that contact remains stable over the long term
- Intuitive use through colour coded actuation lever
- Integrated double steel spring provides additional safety in the event of temperature and power fluctuations
- Potentials can be easily looped through – ideal for BUS applications

Commercial data

| | |
|--------------------------------------|---------------|
| Item number | 1969153 |
| Packing unit | 50 pc |
| Minimum order quantity | 1 pc |
| Product key | AACFMC |
| GTIN | 4017918936341 |
| Weight per piece (including packing) | 14.246 g |
| Weight per piece (excluding packing) | 12.764 g |
| Customs tariff number | 85366990 |
| Country of origin | BG |

TFKC 2,5 HC/ 6-ST-5,08 - PCB connector



1969153

<https://www.phoenixcontact.com/pc/products/1969153>

Technical data

Product properties

| | |
|-----------------------|-----------------------|
| Type | Plug component |
| Product line | COMBICON Connectors M |
| Product type | PCB connector |
| Product family | TFKC 2,5HC/...-ST |
| Number of positions | 6 |
| Pitch | 5.08 mm |
| Number of connections | 12 |
| Number of rows | 1 |
| Mounting flange | without |
| Number of potentials | 6 |

Electrical properties

| | |
|-----------------------------|-------|
| Nominal current I_N | 16 A |
| Nominal voltage U_N | 320 V |
| Degree of pollution | 3 |
| Rated voltage (III/3) | 320 V |
| Rated surge voltage (III/3) | 4 kV |
| Rated voltage (III/2) | 320 V |
| Rated surge voltage (III/2) | 4 kV |
| Rated voltage (II/2) | 630 V |
| Rated surge voltage (II/2) | 4 kV |

Connection data

Connection technology

| | |
|-------------------------|----------------------|
| Type | Plug component |
| Connector system | COMBICON MSTB 2,5 HC |
| Nominal cross section | 2.5 mm ² |
| Contact connection type | Socket |

Interlock

| | |
|-----------------|---------|
| Locking type | without |
| Mounting flange | without |

Conductor connection

| | |
|---|--|
| Connection method | Push-in spring connection |
| Conductor/PCB connection direction | 0 ° |
| Conductor cross section rigid | 0.2 mm ² ... 2.5 mm ² |
| Conductor cross section flexible | 0.2 mm ² ... 2.5 mm ² |
| Conductor cross section AWG | 24 ... 12 |
| Conductor cross section flexible, with ferrule without plastic sleeve | 0.25 mm ² ... 2.5 mm ² |

TFKC 2,5 HC/ 6-ST-5,08 - PCB connector



1969153

<https://www.phoenixcontact.com/pc/products/1969153>

| | |
|---|--|
| Conductor cross section, flexible, with ferrule, with plastic sleeve | 0.25 mm ² ... 2.5 mm ² |
| 2 conductors with the same cross section, flexible, with TWIN ferrule with plastic sleeve | 0.5 mm ² ... 1.5 mm ² |
| Cylindrical gauge a x b / diameter | 2.8 mm x 2.0 mm / 2.0 mm |
| Stripping length | 10 mm |

Material specifications

Material data - contact

| | |
|--|--|
| Note | WEEE/RoHS-compliant, free of whiskers according to IEC 60068-2-82/JEDEC JESD 201 |
| Contact material | Cu alloy |
| Surface characteristics | hot-dip tin-plated |
| Metal surface terminal point (top layer) | Tin (4 - 8 µm Sn) |
| Metal surface contact area (top layer) | Tin (4 - 8 µm Sn) |

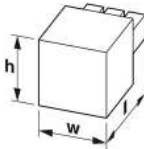
Material data - housing

| | |
|---|--------------|
| Color (Housing) | green (6021) |
| Insulating material | PA |
| Insulating material group | I |
| CTI according to IEC 60112 | 600 |
| Flammability rating according to UL 94 | V0 |
| Glow wire flammability index GWFI according to EN 60695-2-12 | 850 |
| Glow wire ignition temperature GWIT according to EN 60695-2-13 | 775 |
| Temperature for the ball pressure test according to EN 60695-10-2 | 125 °C |

Material data – actuating element

| | |
|--|------|
| Insulating material | PBT |
| Insulating material group | IIIa |
| CTI according to IEC 60112 | 275 |
| Flammability rating according to UL 94 | V0 |

Dimensions

| | |
|---------------------|--|
| Dimensional drawing |  |
| Pitch | 5.08 mm |
| Width [w] | 30.38 mm |
| Height [h] | 22.1 mm |
| Length [l] | 25.7 mm |

Mounting

TFKC 2,5 HC/ 6-ST-5,08 - PCB connector



1969153

<https://www.phoenixcontact.com/pc/products/1969153>

| | |
|-------------------|---------------------------|
| Connection method | Push-in spring connection |
|-------------------|---------------------------|

Notes

| | |
|--------------------|--|
| Notes on operation | In accordance with IEC 61984, COMBICON connectors have no switching power (COC). During designated use, they must not be plugged in or disconnected when carrying voltage or under load. |
|--------------------|--|

Environmental and real-life conditions

Ambient conditions

| | |
|---|---|
| Ambient temperature (operation) | -40 °C ... 100 °C (dependent on the derating curve) |
| Ambient temperature (storage/transport) | -40 °C ... 70 °C |
| Relative humidity (storage/transport) | 30 % ... 70 % |
| Ambient temperature (assembly) | -5 °C ... 100 °C |

Electrical tests

Air clearances and creepage distances |

| | |
|--|---------------------|
| Specification | IEC 60664-1:2007-04 |
| Insulating material group | I |
| Comparative tracking index (IEC 60112) | CTI 600 |
| Rated insulation voltage (III/3) | 320 V |
| Rated surge voltage (III/3) | 4 kV |
| minimum clearance value - non-homogenous field (III/3) | 3 mm |
| minimum creepage distance (III/3) | 4 mm |
| Rated insulation voltage (III/2) | 320 V |
| Rated surge voltage (III/2) | 4 kV |
| minimum clearance value - non-homogenous field (III/2) | 3 mm |
| minimum creepage distance (III/2) | 3 mm |
| Rated insulation voltage (II/2) | 630 V |
| Rated surge voltage (II/2) | 4 kV |
| minimum clearance value - non-homogenous field (II/2) | 3 mm |
| minimum creepage distance (II/2) | 3.2 mm |

Packaging specifications

| | |
|-------------------|---------------------|
| Type of packaging | packed in cardboard |
|-------------------|---------------------|

TFKC 2,5 HC/ 6-ST-5,08 - PCB connector

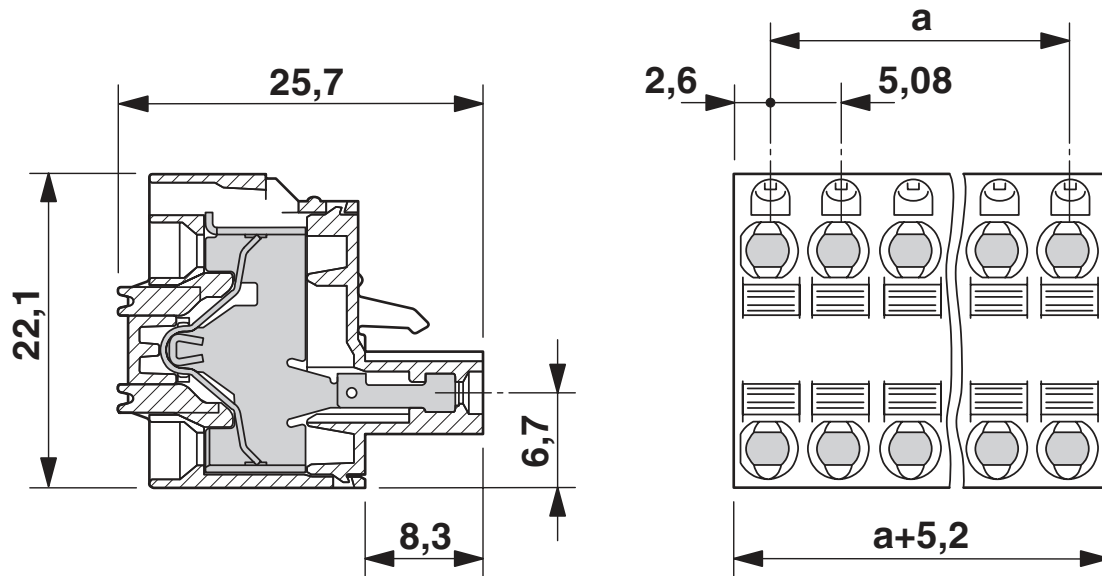


1969153

<https://www.phoenixcontact.com/pc/products/1969153>

Drawings

Dimensional drawing



TFKC 2,5 HC/ 6-ST-5,08 - PCB connector



1969153

<https://www.phoenixcontact.com/pc/products/1969153>

Approvals

To download certificates, visit the product detail page: <https://www.phoenixcontact.com/pc/products/1969153>



EAC

Approval ID: B.01687



cULus Recognized

Approval ID: E60425-19931011

| | Nominal voltage U_N | Nominal current I_N | Cross section AWG | Cross section mm^2 |
|---------------|-----------------------|-----------------------|-------------------|-----------------------------|
| Use group B | | | | |
| Standard | 300 V | 16 A | 26 - 12 | - |
| Use group D | | | | |
| Standard | 300 V | 10 A | 26 - 12 | - |
| Alternative 1 | 150 V | 15 A | 26 - 12 | - |

TFKC 2,5 HC/ 6-ST-5,08 - PCB connector



1969153

<https://www.phoenixcontact.com/pc/products/1969153>

Classifications

ECLASS

| | |
|-------------|----------|
| ECLASS-11.0 | 27460202 |
| ECLASS-12.0 | 27460202 |
| ECLASS-13.0 | 27460202 |

ETIM

| | |
|----------|----------|
| ETIM 8.0 | EC002638 |
|----------|----------|

UNSPSC

| | |
|-------------|----------|
| UNSPSC 21.0 | 39121400 |
|-------------|----------|

TFKC 2,5 HC/ 6-ST-5,08 - PCB connector



1969153

<https://www.phoenixcontact.com/pc/products/1969153>

Environmental product compliance

| | |
|------------|---|
| China RoHS | Environmentally friendly use period: unlimited = EFUP-e |
| | No hazardous substances above threshold values |

TFKC 2,5 HC/ 6-ST-5,08 - PCB connector

1969153

<https://www.phoenixcontact.com/pc/products/1969153>

Accessories

CP-MSTB - Coding profile

1734634

<https://www.phoenixcontact.com/pc/products/1734634>

Coding profile, is inserted into the slot on the plug or inverted header, red insulating material



RPS - Reducing plug

0201647

<https://www.phoenixcontact.com/pc/products/0201647>

Reducing plug, number of positions: 1, color: gray



TFKC 2,5 HC/ 6-ST-5,08 - PCB connector



1969153

<https://www.phoenixcontact.com/pc/products/1969153>

SZS 0,6X3,5 - Screwdriver

1205053

<https://www.phoenixcontact.com/pc/products/1205053>



Actuation tool, for ST terminal blocks, insulated, also suitable for use as a bladed screwdriver, size: 0.6 x 3.5 x 100 mm, 2-component grip, with non-slip grip

SK U/2,8 WH:UNBEDRUCKT - Marker card

0803883

<https://www.phoenixcontact.com/pc/products/0803883>



Marker card, Din A4, white, unlabeled, can be labeled with: PLOTMARK, CMS-P1-PLOTTER, Office printing systems, mounting type: adhesive, for terminal block width: 210 mm, lettering field size: 186 x 2.8 mm, Number of individual labels: 3600

TFKC 2,5 HC/ 6-ST-5,08 - PCB connector

1969153

<https://www.phoenixcontact.com/pc/products/1969153>



SK 5,08/2,8:FORTL.ZAHLEN - Marker card

0804280

<https://www.phoenixcontact.com/pc/products/0804280>



Marker card, white, labeled, horizontal: consecutive numbers 1 ... 10, 11 ... 20, etc. up to 91 ... (99)100, mounting type: adhesive, for terminal block width: 5.08 mm, lettering field size: 5.08 x 2.8 mm

MPS-IH WH - Insulating sleeve

0201663

<https://www.phoenixcontact.com/pc/products/0201663>

Insulating sleeve, color: white



TFKC 2,5 HC/ 6-ST-5,08 - PCB connector

1969153

<https://www.phoenixcontact.com/pc/products/1969153>



MPS-IH RD - Insulating sleeve

0201676

<https://www.phoenixcontact.com/pc/products/0201676>

Insulating sleeve, color: red



MPS-IH BU - Insulating sleeve

0201689

<https://www.phoenixcontact.com/pc/products/0201689>

Insulating sleeve, color: blue



Phoenix Contact 2023 © - all rights reserved
<https://www.phoenixcontact.com>

PHOENIX CONTACT GmbH & Co. KG
Flachsmarktstraße 8
D-32825 Blomberg
+49 (0) 5235-3 00
info@phoenixcontact.com