

切诺基初级套件

Cherokey 4WD Basic Kit

安装手册
Instruction Manual

网站: www.dfrobot.com.cn

Website: www.dfrobot.com

电话 (Tel): 86-21-61620183

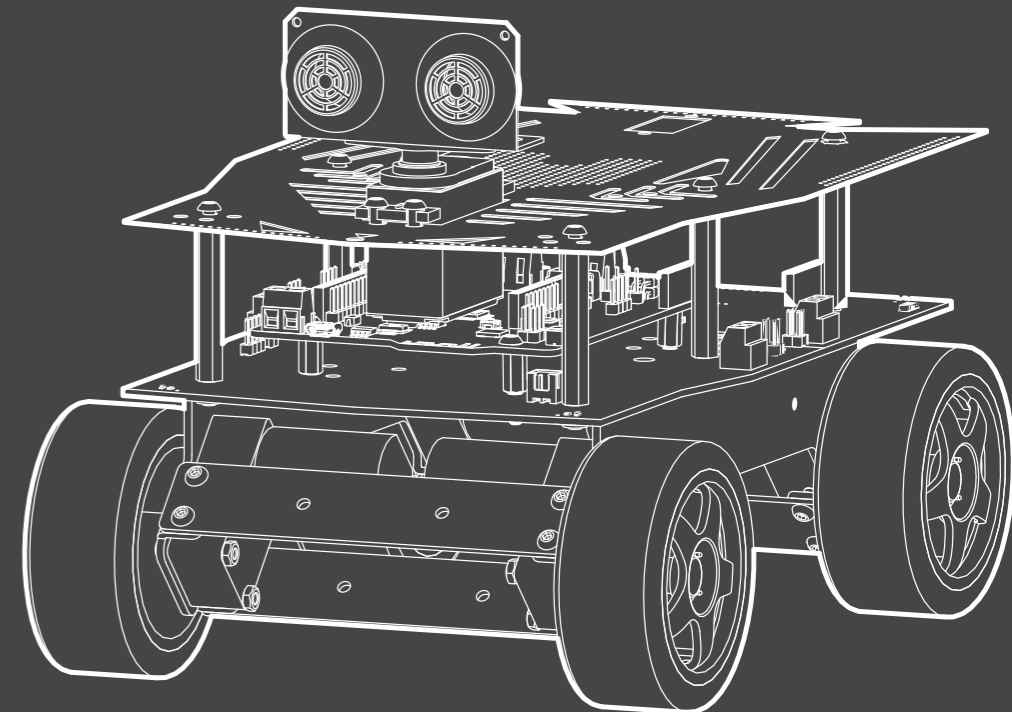
服务支持 (Service): techsupport@dfrobot.com

地址: 中国上海市浦东新区亮秀路112号Y1座615室

Address: Rm. 615, Bldg Y1, NO.112, Liangxiu Rd., Pudong, China

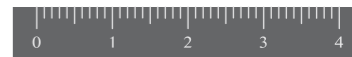
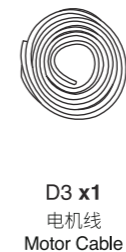
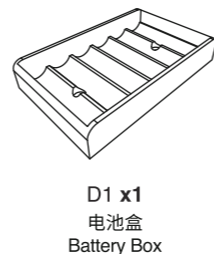
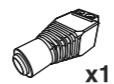
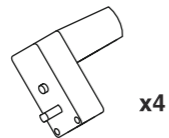
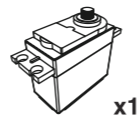
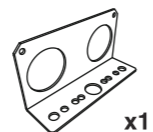
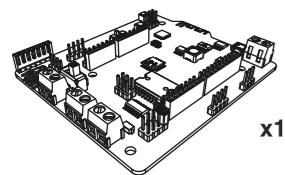
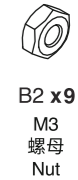
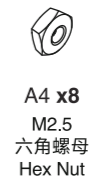
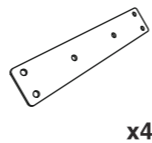
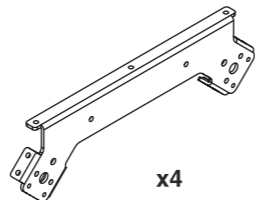
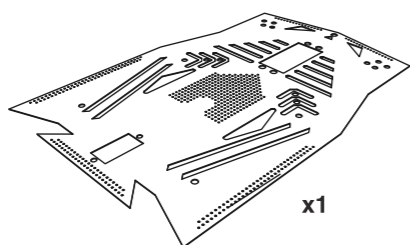
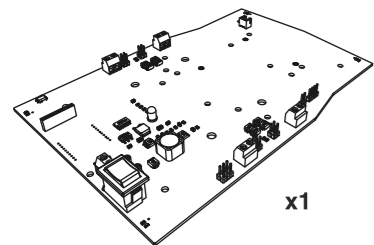
© 本说明书最终解释权归DFRobot所有

DFRobot has the final authority of interpretation on this manual.

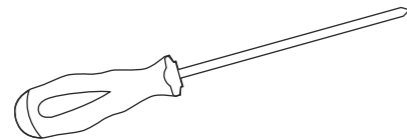


零件清单
Parts List

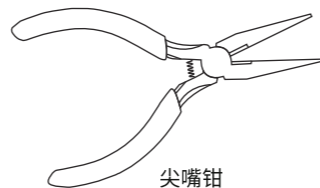
零件清单
Parts List



主要工具
Essential Tools

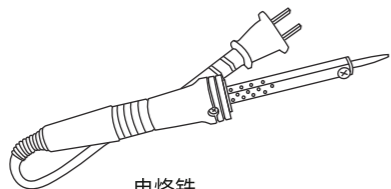


十字螺丝刀
Phillips Screwdriver

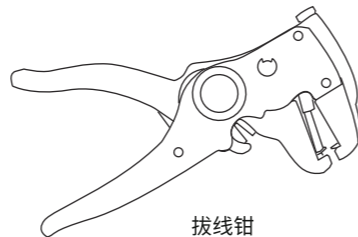


尖嘴钳
Long-Nosed Pliers

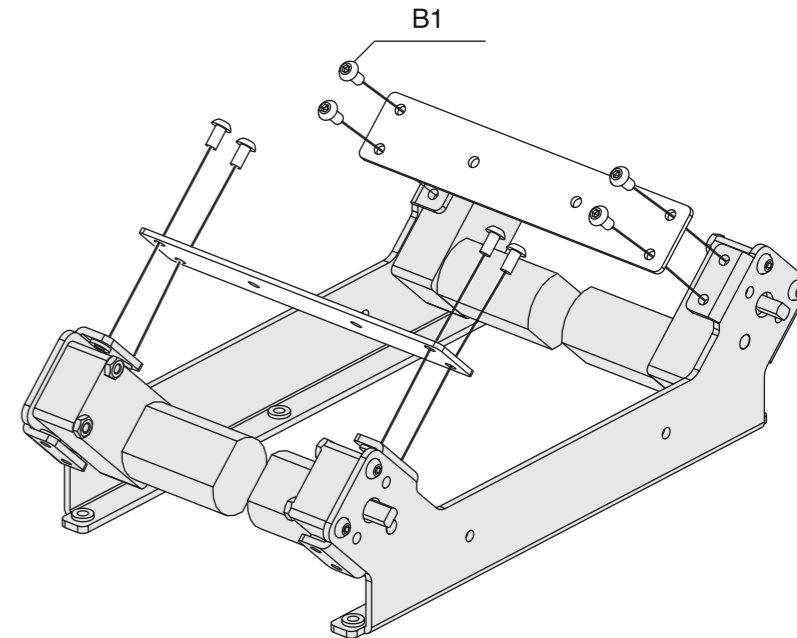
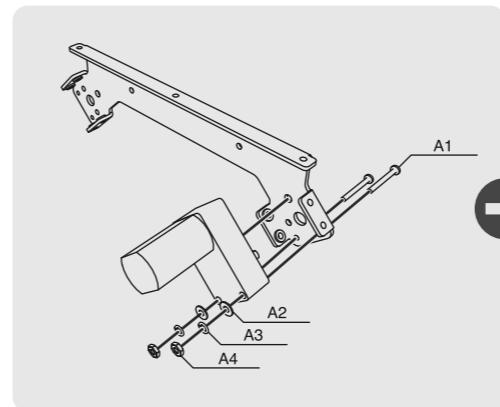
可选工具
Optional Tools



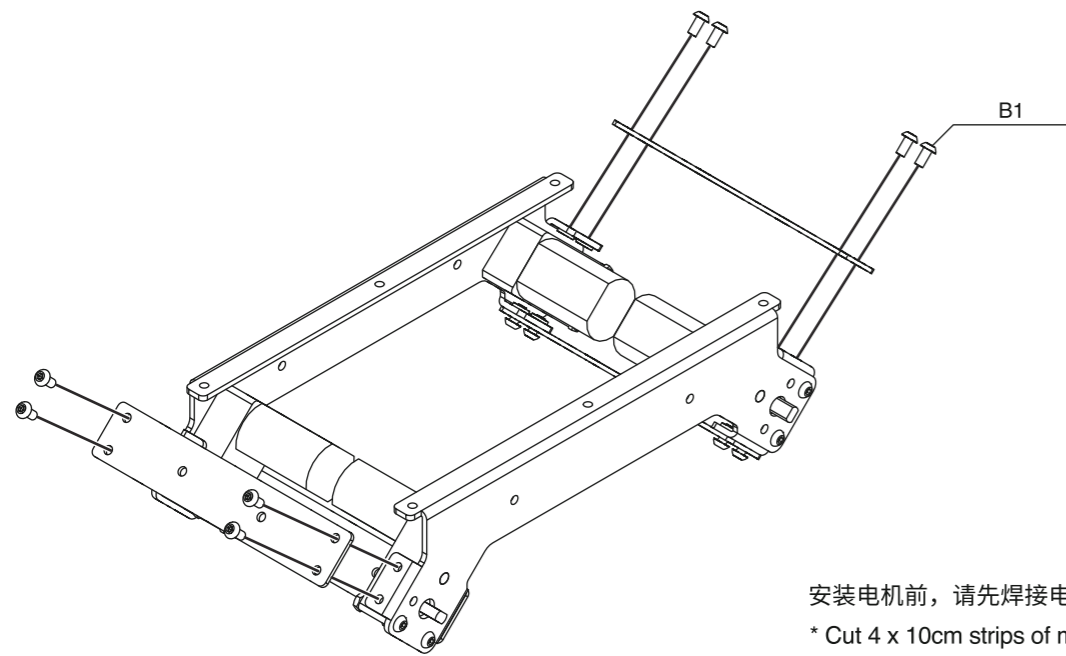
电烙铁
Soldering Iron



拔线钳
Wire Strippers

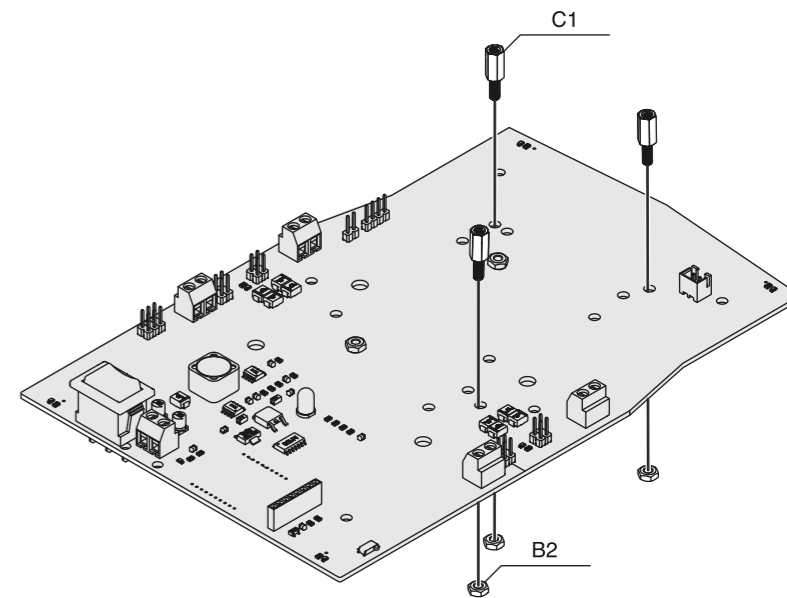
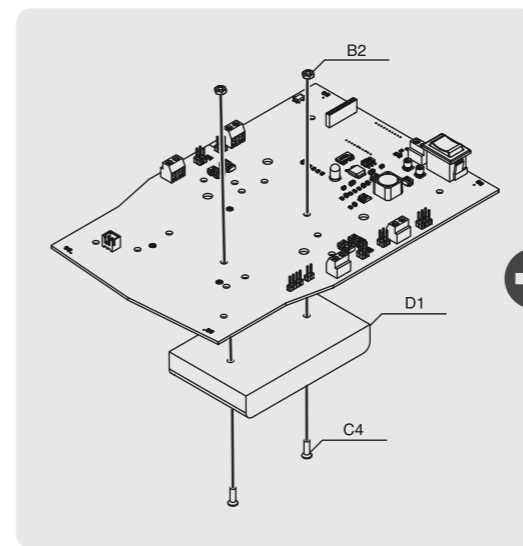


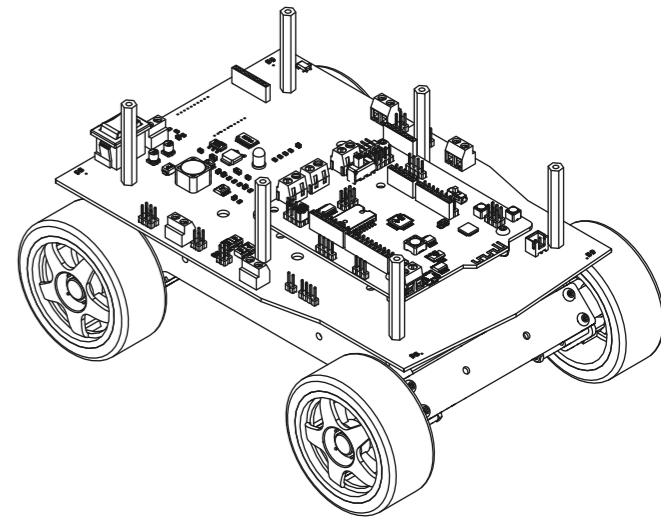
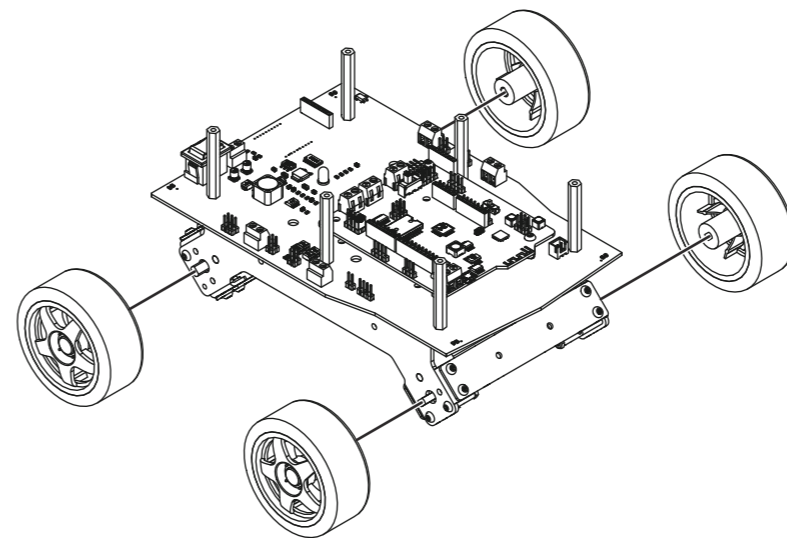
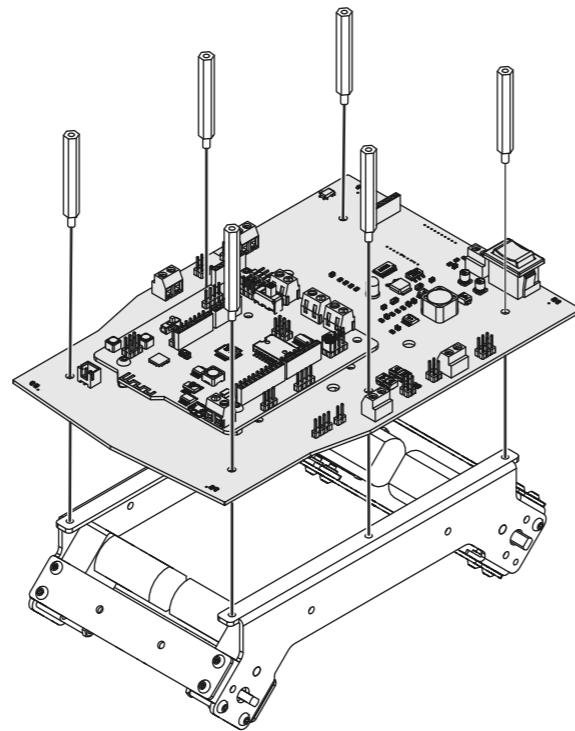
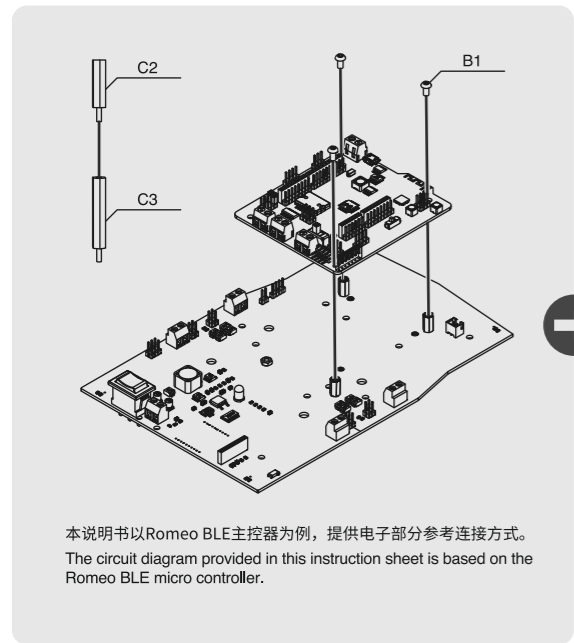
备注：本套件不包含工具和电池。
Note: Tools and Batteries not included.



安装电机前，请先焊接电机线。

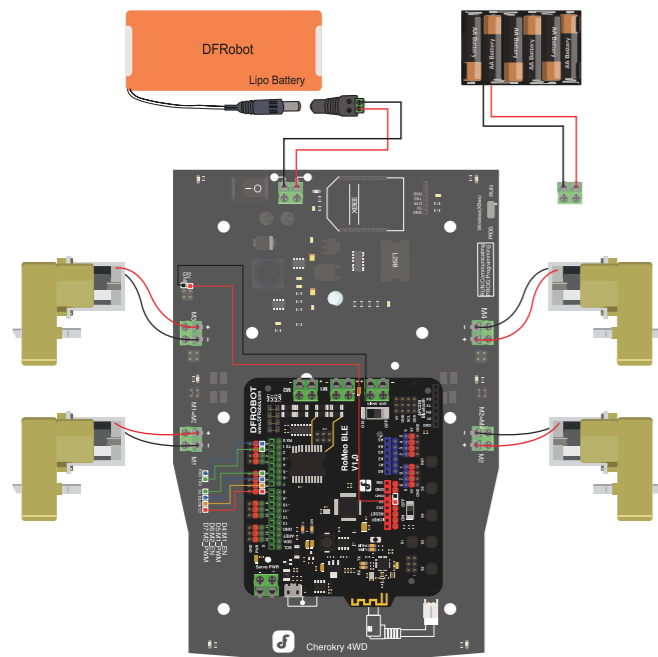
- * Cut 4 x 10cm strips of motor wire
- * Solder wires to motor terminals
- * Install motors





为了便于后续安装，请将电机线穿过扩展板通孔。
Lead motor power cables through holes to keep it neat and tidy.

电路连接图
Connections



电源连接说明书将提供两种方案：
There are two options to power your device:

- (1) 电池盒供电方案A
(1) Option A: Battery holder power supply.
- (2) 7.4V 充电电池供电方案B
(2) Option B: Rechargeable battery power supply

7.4V 充电电池可在DFRobot商城选购，用户可按需求自行选择。
7.4V LiPo batteries are available at the DFRobot online store.

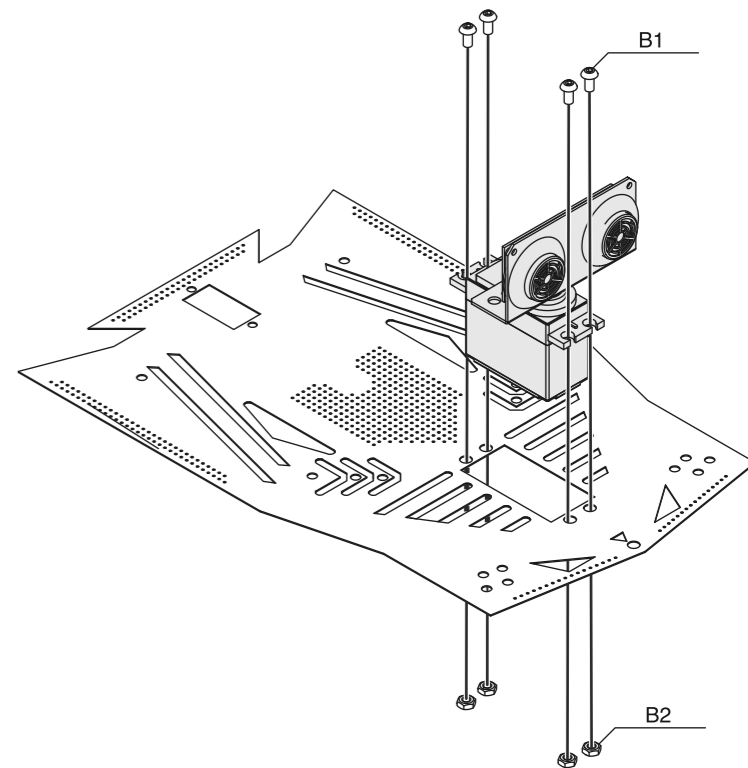
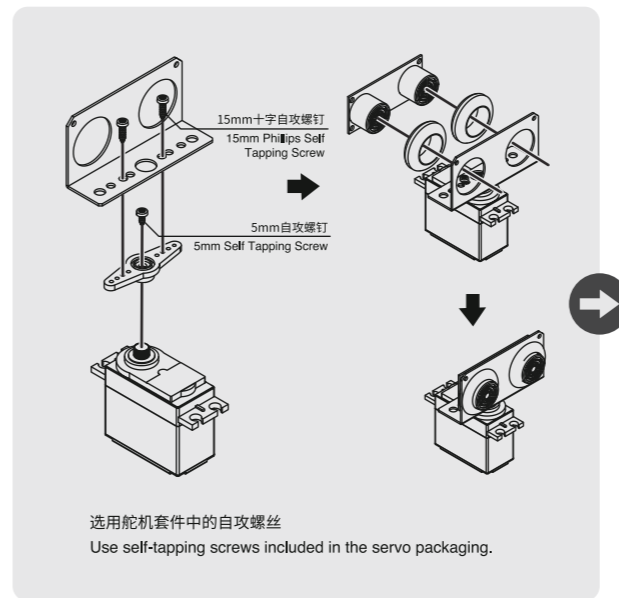
如想了解更多相关信息，可进入DFRobot Wiki查看更多教程。
<http://wiki.dfrobot.com.cn/>

ROB0117

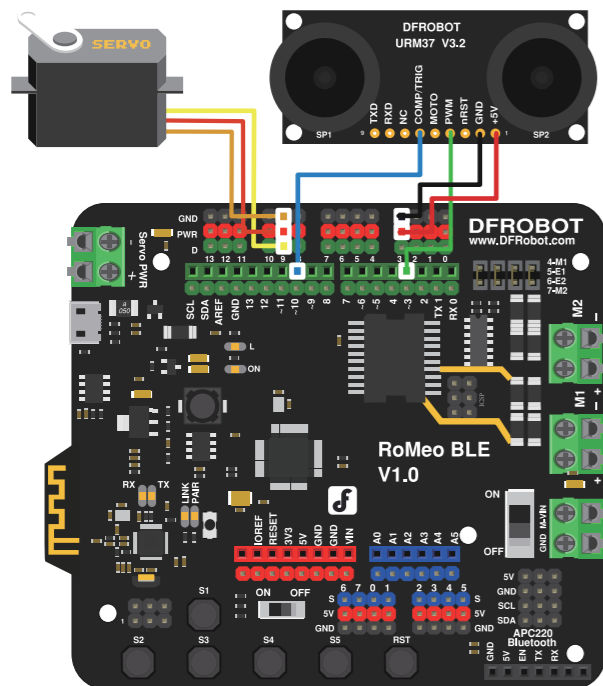


Refer to tutorials on DFRobot Wiki page for trouble shooting
<https://www.dfrobot.com/wiki>

ROB0117



电路连接图
Servo / Sensor Connections



在搭建好舵机与超声波传感器的电路后，请先对两者进行调校。
详情见产品Wiki (可扫描二维码)：Step4 调试超声波和舵机

Calibrate servo and ultrasonic sensor circuit before installing
in to chassis.

Read content " Step 4: Servo and Ultrasonic Sensor Calibration"
on its Wiki page (QR code available) for more details.

