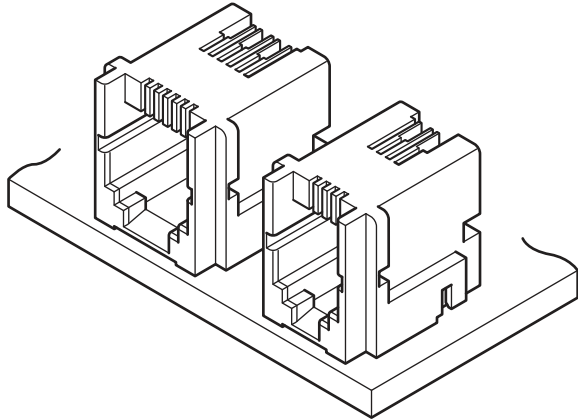


# MJ CONNECTOR

1.02 mm pitch, 1.27 mm pitch/Interface Connectors/Modular jack



- **Upper contact (Right angle type)**  
The right angle version features an upper contact structure that prevents dust from entering the contact mating area.
- **Metal hooks**  
Providing excellent reliability in PCB mounting, the MJ connector comes with metal hooks that give a detectable click feeling when mounting to the board.
- **Shielding effect**  
The shielded version covers the entire connector with a metal plate and therefore offers a high level shielding effect.
- **Grounding circuit**  
The shielded cover is equipped with a secure grounding circuit.
- **Correspond to high-speed LAN transmission (MJ-88U-SD315K-T)**  
The lineup includes RJ45-type jacks corresponding to CAT5 transmission speed performances (TIA/EIA-568-A).

## ■ Standards

Ⓜ: Recognized E 174260

Ⓢ: Certified LR 20812

Conforms to FCC Standard (6 circuits and 8 circuits)

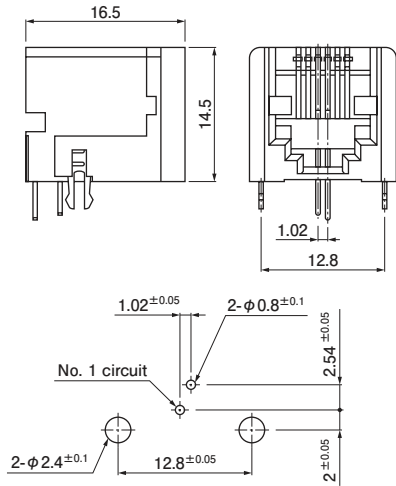
## ■ Specifications

- Current rating: 1.3 A AC/DC
  - Voltage rating: 250 V AC/DC
  - Temperature range: -40°C to +80°C  
(including temperature rise in applying electrical current)
  - Contact resistance:  
Initial value/ 20 mΩ max.  
After environmental tests/ 40 mΩ max.
  - Insulation resistance: 1,000 MΩ min.
  - Withstanding voltage:  
There shall be no breakdown or flashover while applying 1,000 VAC for one minute.
  - Applicable PC board thickness: 1.6 mm  
: 2.4 mm  
(MJ-88U-SD315K-T)
- \* In using the products, refer to "Handling Precautions for Terminals and Connectors" described on our website (Technical documents of Product information page).
- \* RoHS2 compliance
- \* Dimensional unit: mm
- \* Contact JST for details.

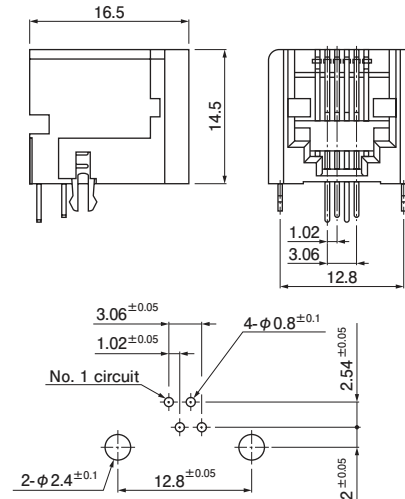
## Connector and PC board layout

### Right angle type

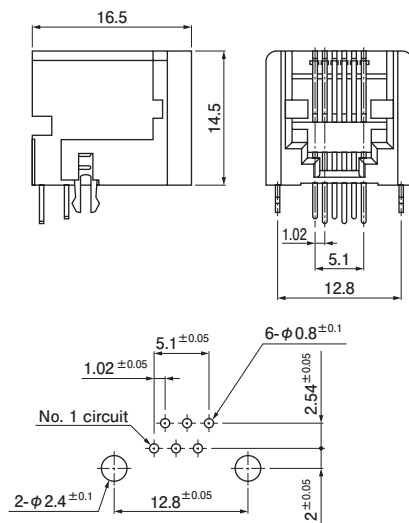
#### • 2/6 type



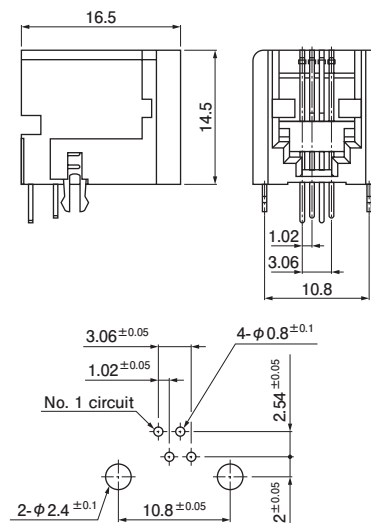
#### • 4/6 type



#### • 6/6 type



#### • 4/4 type



Type	No. of circuits	Model No.	Q'ty/box	
Right angle type	2/6	2	MJ-62J-RD315	270
	4/6	4	MJ-64J-RD315	270
	6/6	6	MJ-66J-RD315	270
	4/4	4	MJ-44J-RD315	306

#### Material and Surface finish, etc.

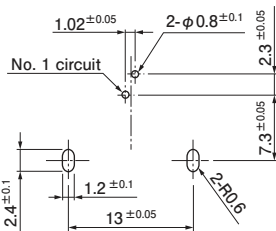
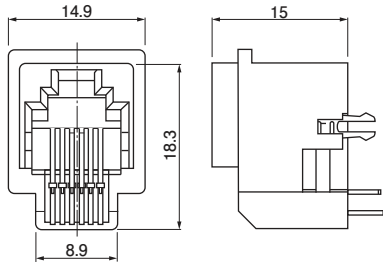
Contact: Phosphor bronze,  
nickel-undercoated, selective gold-plated  
\* Mating part: gold-plated, Soldering part: tin-plated  
Housing: PBT (Glass-filled), UL94V-0  
Hook pin: Brass, tin-plated

- Note: 1. This product displays (LF)(SN) on a label.  
2. The figure of PC board layout is the figure viewed from the connector mounting side.  
3. Tolerance for the PCB hole pitch shall be  $\pm 0.05$ , and shall not accumulate more than  $\pm 0.05$ .  
4. Hole dimensions differ according to the type of PC board and piercing method.  
The above dimensions are reference values.  
Please contact JST for details.

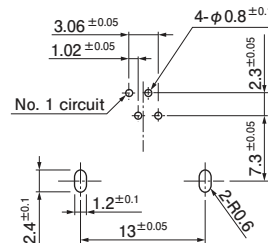
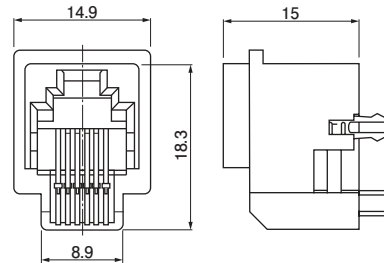
## Connector and PC board layout

### Straight type

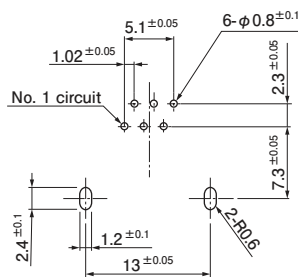
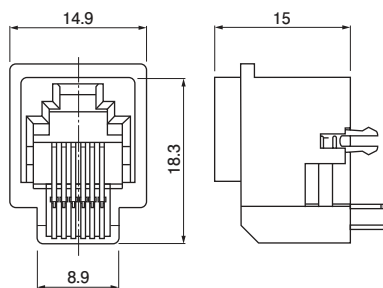
#### • 2/6 type



#### • 4/6 type



#### • 6/6 type



Type	No. of circuits	Model No.	Q'ty/box
Straight type	2/6	MJ-62C-SD335	180
	4/6	MJ-64C-SD335	180
	6/6	MJ-66C-SD335	180

#### Material and Surface finish, etc.

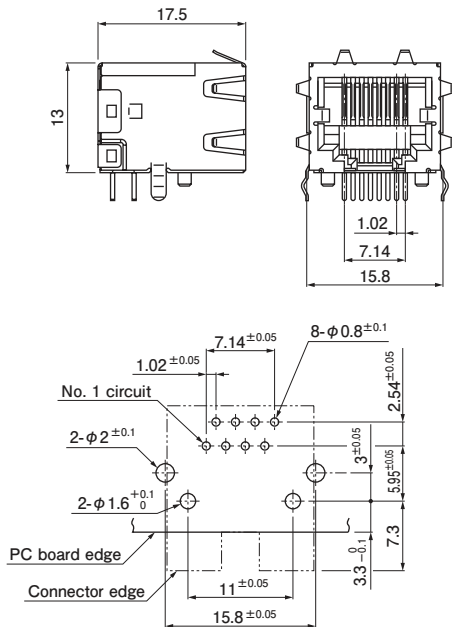
Contact: Phosphor bronze, nickel-undercoated, overall gold-plated  
Housing: PBT (Glass-filled), UL94V-0, gray  
Hook pin: Brass, tin-plated

- Note: 1. The figure of PC board layout is the figure viewed from the connector mounting side.  
2. Tolerance for the PCB hole pitch shall be  $\pm 0.05$ , and shall not accumulate more than  $\pm 0.05$ .  
3. Hole dimensions differ according to the type of PC board and piercing method.  
The above dimensions are reference values.  
Please contact JST for details.

## Connector and PC board layout

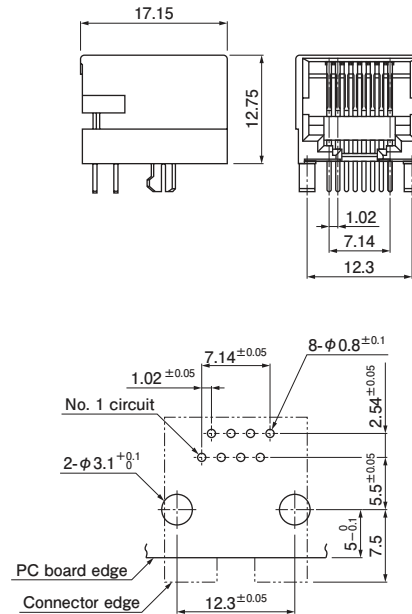
### Right angle type, with shielding cover

<8 circuits>



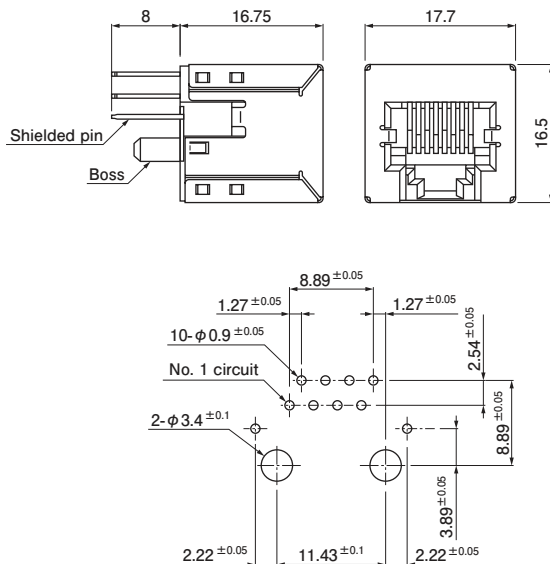
### Right angle type, with plastic hook

<8 circuits>



### Straight type, with shielding cover

<8 circuits>



Type		No. of circuits	Model No.	Q'ty/box
Right angle type	With shielding cover	8	MJ-88H-RD315K	520
	With plastic hook	8	MJ-88R-RD315K	520
Straight type	With shielding cover	8	MJ-88U-SD315K-T	144

Material and Surface finish, etc.

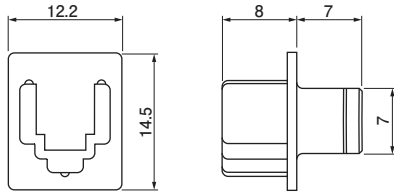
Contact: Phosphor bronze,  
nickel-undercoated, selective gold-plated  
\* Mating part: gold-plated, Soldering part: tin-plated  
Housing (Normal type): PBT (Glass-filled), UL94V-0, black  
Housing (Straight type): LCP (Glass-filled), UL94V-0, black  
Shield cover: Phosphor bronze, tin-plated  
Shield pin: Phosphor bronze, copper-undercoated, tin-plated

- Note: 1. This product displays (LF)(SN) on a label.  
2. The figure of PC board layout is the figure viewed from the connector mounting side.  
3. Tolerance for the PCB hole pitch shall be  $\pm 0.05$ , and shall not accumulate more than  $\pm 0.05$ .  
4. The straight type comes with a PCB mounting boss designed to be pressed down into the designated hole diameter on the PC board layout.  
5. Hole dimensions differ according to the type of PC board and piercing method.  
The above dimensions are reference values.  
Please contact JST for details.

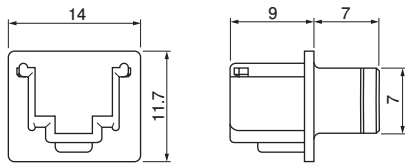
# MJ CONNECTOR

## Dust cover

### <6 circuits>



### <8 circuits>



No. of circuits	Model No.	Q'ty/box
6	MJ-JP56K	500
8	MJ-JP68K	1,000

#### Material and Surface finish, etc.

MJ-JP56K: PA 66, UL94V-0, black  
 MJ-JP68K: PBT, UL94V-0, black

Note: Unlisted in the UL/CSA Standards.

## Model number allocation

### Connector

MJ - 8 8 U - S D 315 K - T

Series name

Opening part size:

4...Up to 4-circuits

6...Up to 6-circuits

8...Up to 8-circuits

No. of circuits

Jack type:

J...Right angle

C...Straight

H...Right angle, Low profile,  
with shielding cover

R...Right angle, Low profile

U...Straight, with shielding cover

Contact shape: R...Right angle

S...Straight type

Mounting form: DIP

Surface finish: 315...Selective gold-plated

335...Overall gold-plated

Color : Blank...Gray, K...Black

Presence or type of pin:

Blank...Without pin or With hook pin

T...With shielding pin

### Dust cover

MJ - J P 5 6 K

Series name

Connector type: Jack

Type: Cap

Material: 5...PA 66

6...PBT

No. of circuits

Color: Black