



2.75W Wall Mount Adapter - EU



Features

- Fixed Blade AC Input
- Ecodesign/ErP Lot 7 (EU) 2019/1782 Compliance
- CoC Version 5 Tier 2 Compliance
- Limited Power Source
- Class B EMI
- Standard Barrel Connector
- 3,048M Operating Altitude
- AA03E-050A(M)-R charging scheme: Data Lines (Pins 2 and 3) Shorted

Applications

- MPEG Players
- Personal Electronics
- PDAs
- Digital Cameras



AA03E Specifications¹

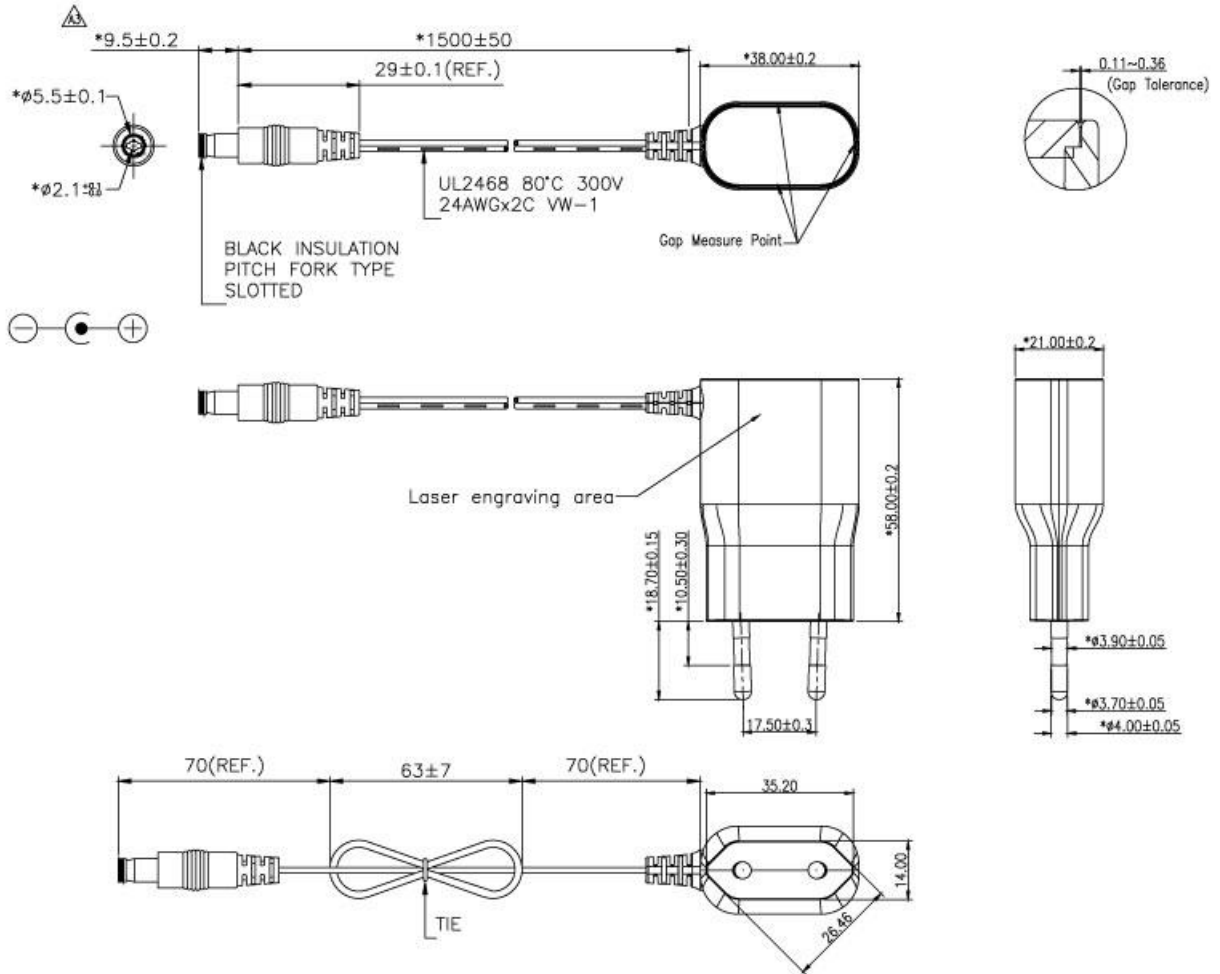
Model		AA03E-050A-R	AA03E-050A(M)-R ^{2.1, 2.2}
Output	DC Output Voltage	5.0V	5.0V
	Max Current	0.55A	0.55A
	Output Power	2.75W	2.75W
	Regulation	± 5%	± 5%
	Ripple & Noise P-P(max) ³	150mV	150mV
Input	AC Input Voltage Range	90 to 264VAC	
	AC Input Frequency	47 to 63Hz	
	Input Current	100mA max	
	No Load Power Consumption at 115VAC Input	0.0174W	0.0174W
	No Load Power Consumption at 230VAC Input	0.0278W	0.0278W
	115VAC Average Efficiency ⁴	72.25%	72.25%
	230VAC Average Efficiency ⁴	70.77%	70.77%
	230VAC 10% Load Efficiency ⁴	> 59.9%	> 59.9%
	Leakage Current	<0.25mA max	
Protection	Over-Voltage	7.5V max	
	Short Circuit	The output can be shorted without damage	
Environmental	Operating Temperature	0°C to +40°C	
	Non-Operating Temperature	-25° to +75°C	
	Operating Humidity	10 to +90%	
Safety Approvals and EMC	Dielectric Withstand (HI-POT)	Primary to Secondary: 3000VAC for 1min, 10mA	
	Insulation Resistance	Primary to Secondary: >7M ohm for 500VDC	
	Standards	IEC 62368-1	
	EMI Emissions	EN 55032/CISPR 32 Class B Conducted and Radiated	
	Harmonic Current Emissions	IEC 61000-3-2	
	Voltage Fluctuations & Flicker	IEC 61000-3-3	
	Immunity	EN 55024/CISPR 24, EN 55035/CISPR 35: IEC 61000-4-2 (+/- 15kV air, +/- 8kV contact), IEC 61000-4-3, IEC 61000-4-4, IEC 61000-4-5 (+/- 2kV), IEC 61000-4-6, IEC 61000-4-8, IEC 61000-4-11	
Mechanical	Dimensions (L x W x H)	76.7mm (3.02in) x 38mm (1.50in) x 21mm (0.83in)	
	Weight	48g	
	Cable Length	1500mm	
	DC Cable Type	24 AWG	
	DC Output Connector	2.1mm x 5.5mm x 9.5mm	USB Micro B

Model		AA03E-075A-R ²	AA03E-090A-R
Output	DC Output Voltage	7.5V	9.0V
	Max Current	0.366A	0.306A
	Output Power	2.75W	2.75W
	Regulation	± 5%	± 5%
	Ripple & Noise P-P(max) ³	150mV	150mV
Input	AC Input Voltage Range	90 to 264VAC	
	AC Input Frequency	47 to 63Hz	
	Input Current	100mA max	
	No Load Power Consumption at 115VAC Input	0.012W	0.015W
	No Load Power Consumption at 230VAC Input	0.023W	0.026W
	115VAC Average Efficiency ⁴	74.97%	76.03%
	230VAC Average Efficiency ⁴	76.06%	77.09%
	230VAC 10% Load Efficiency ⁴	> 63.9%	> 63.9%
	Leakage Current	<0.25mA max	
Protection	Over-Voltage	10.0V max	12.0V max
	Short Circuit	The output can be shorted without damage	
Environmental	Operating Temperature	0°C to +40°C	
	Non-Operating Temperature	-25° to +75°C	
	Operating Humidity	10 to +90%	
Safety Approvals and EMC	Dielectric Withstand (HI-POT)	Primary to Secondary: 3000VAC for 1min, 10mA	
	Insulation Resistance	Primary to Secondary: >7M ohm for 500VDC	
	Standards	IEC 62368-1	
	EMI Emissions	EN 55032/CISPR 32 Class B Conducted and Radiated	
	Harmonic Current Emissions	IEC 61000-3-2	
	Voltage Fluctuations & Flicker	IEC 61000-3-3	
	Immunity	EN 55024/CISPR 24, EN55035/CISPR 35: IEC 61000-4-2 (+/- 15kV air, +/- 8kV contact), IEC 61000-4-3, IEC 61000-4-4, IEC 61000-4-5 (+/- 2kV), IEC 61000-4-6, IEC 61000-4-8, IEC 61000-4-11	
Mechanical	Dimensions (L x W x H)	76.7mm (3.02in) x 38mm (1.50in) x 21mm (0.83in)	
	Weight	48g	
	Cable Length	1500mm	
	DC Cable Type	24 AWG	
	DC Output Connector	2.1mm x 5.5mm x 9.5mm	

Model		AA03E-120A-R
Output	DC Output Voltage	12.0V
	Max Current	0.229A
	Output Power	2.75W
	Regulation	± 5%
	Ripple & Noise P-P(max) ³	200mV
Input	AC Input Voltage Range	90 to 264VAC
	AC Input Frequency	47 to 63Hz
	Input Current	100mA max
	No Load Power Consumption at 115VAC Input	0.019W
	No Load Power Consumption at 230VAC Input	0.030W
	115VAC Average Efficiency ⁴	77.20%
	230VAC Average Efficiency ⁴	76.42%
	230VAC 10% Load Efficiency ⁴	> 63.9%
	Leakage Current	<0.25mA max
Protection	Over-Voltage	18.0V max
	Short Circuit	The output can be shorted without damage
Environmental	Operating Temperature	0°C to +40°C
	Non-Operating Temperature	-25° to +75°C
	Operating Humidity	10 to +90%
Safety Approvals and EMC	Dielectric Withstand (HI-POT)	Primary to Secondary: 3000VAC for 1min, 10mA
	Insulation Resistance	Primary to Secondary: >7M ohm for 500VDC
	Standards	IEC 62368-1
	EMI Emissions	EN 55032/CISPR 32 Class B Conducted and Radiated
	Harmonic Current Emissions	IEC 61000-3-2
	Voltage Fluctuations & Flicker	IEC 61000-3-3
	Immunity	EN 55024/CISPR 24, EN55035/CISPR 35: IEC 61000-4-2 (+/- 15kV air, +/- 8kV contact), IEC 61000-4-3, IEC 61000-4-4, IEC 61000-4-5 (+/- 2kV), IEC 61000-4-6, IEC 61000-4-8, IEC 61000-4-11
Mechanical	Dimensions (L x W x H)	76.7mm (3.02in) x 38mm (1.50in) x 21mm (0.83in)
	Weight	48g
	Cable Length	1500mm
	DC Cable Type	24 AWG
	DC Output Connector	2.1mm x 5.5mm x 9.5mm
Notes	<ol style="list-style-type: none"> 1. The specifications defined are at ambient temperature of 25°C, unless otherwise specified. 2. <ol style="list-style-type: none"> 2.1 Special order item. Minimum quantity order applies. 2.2 The charging scheme: Data Lines (Pins 2 and 3) Shorted 3. 20MHz bandwidth frequency oscilloscope, add a 0.1µF multilayer Cap. and Low ESR Electrolytic Cap. (10µF) at output connector terminals (nominal line voltage, full load). 4. Efficiency is measured after 30 minutes burn-in. 	



AA03E-xxxA Outline Drawing





AA03E-050A(M) Outline Drawing

