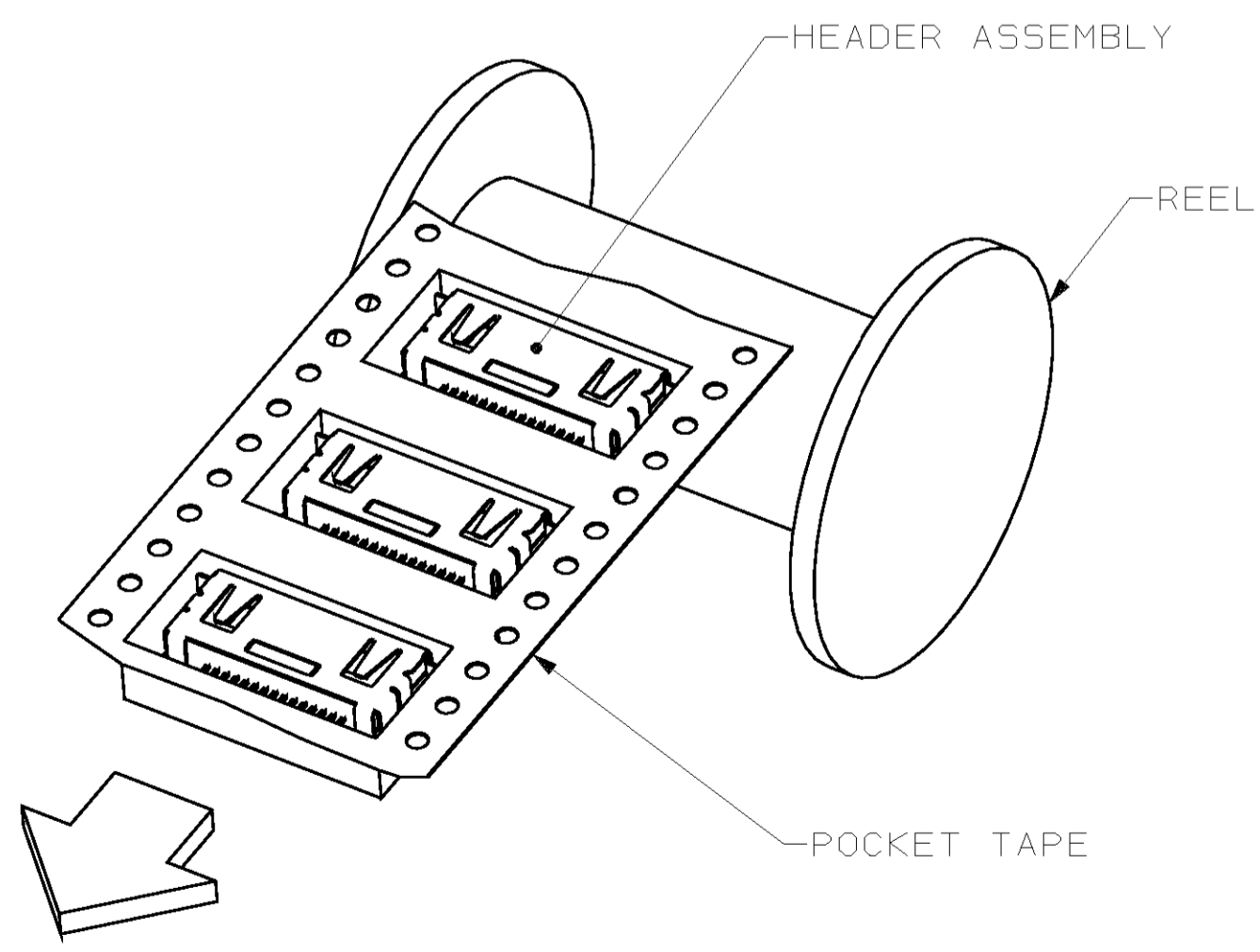
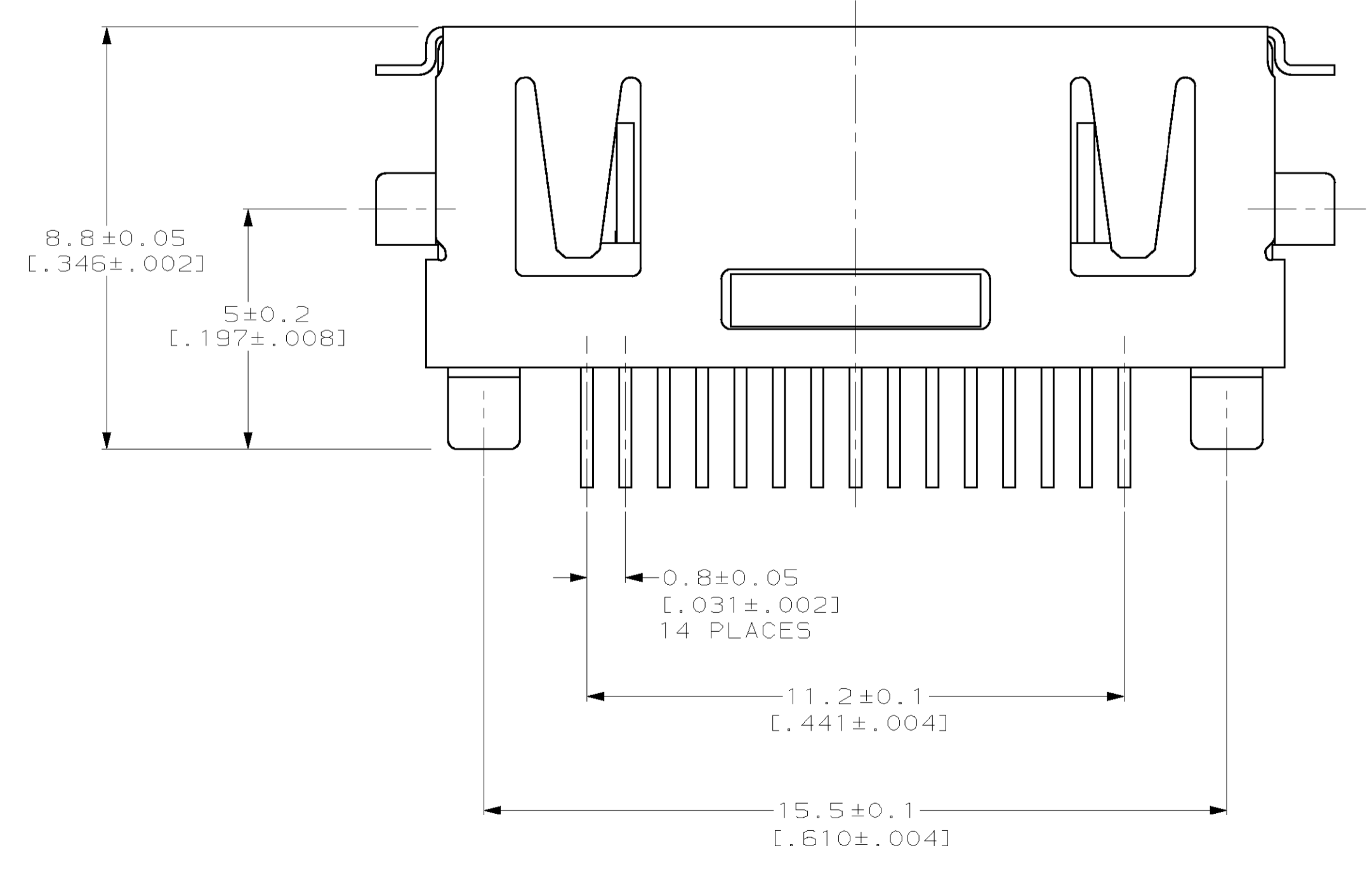
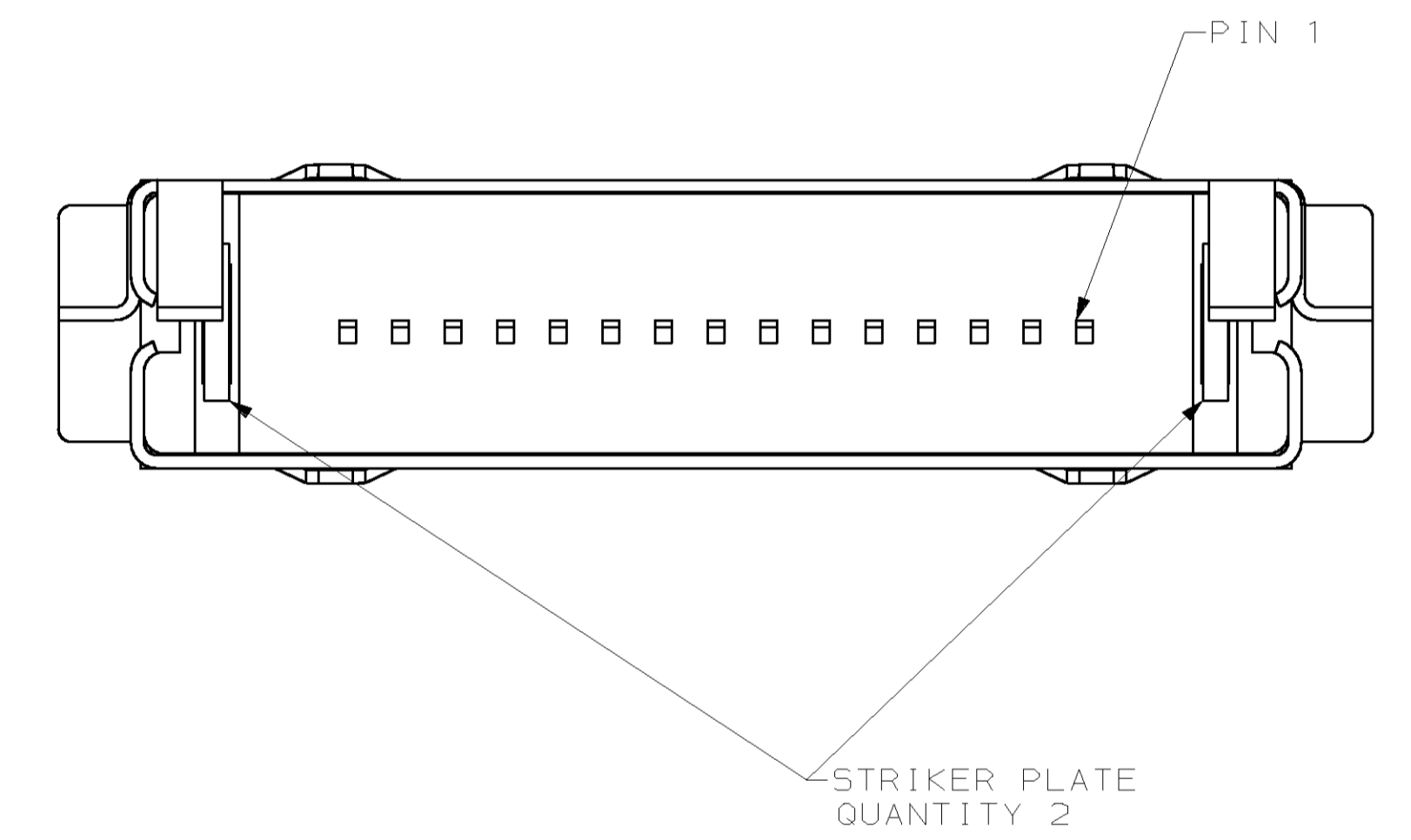
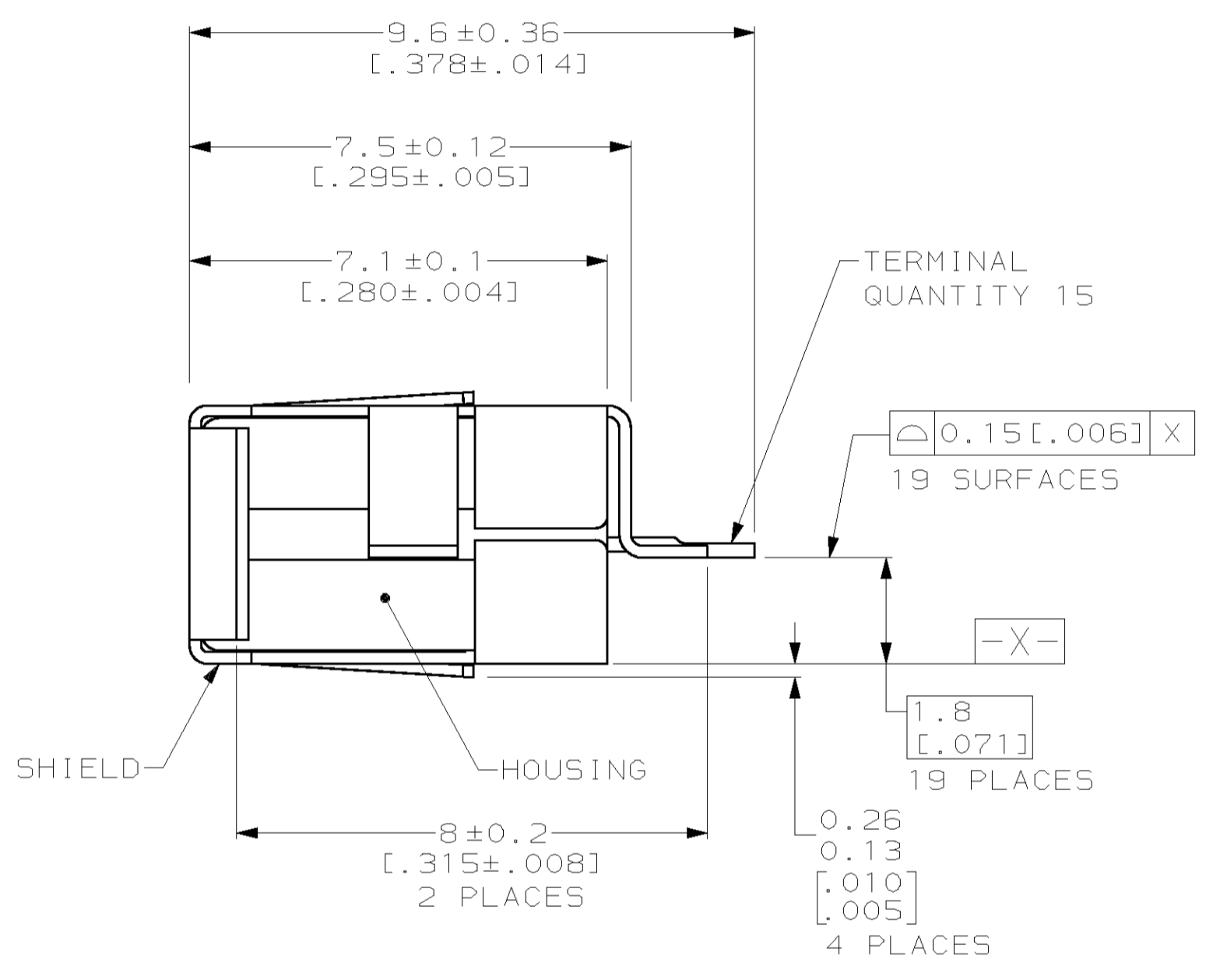
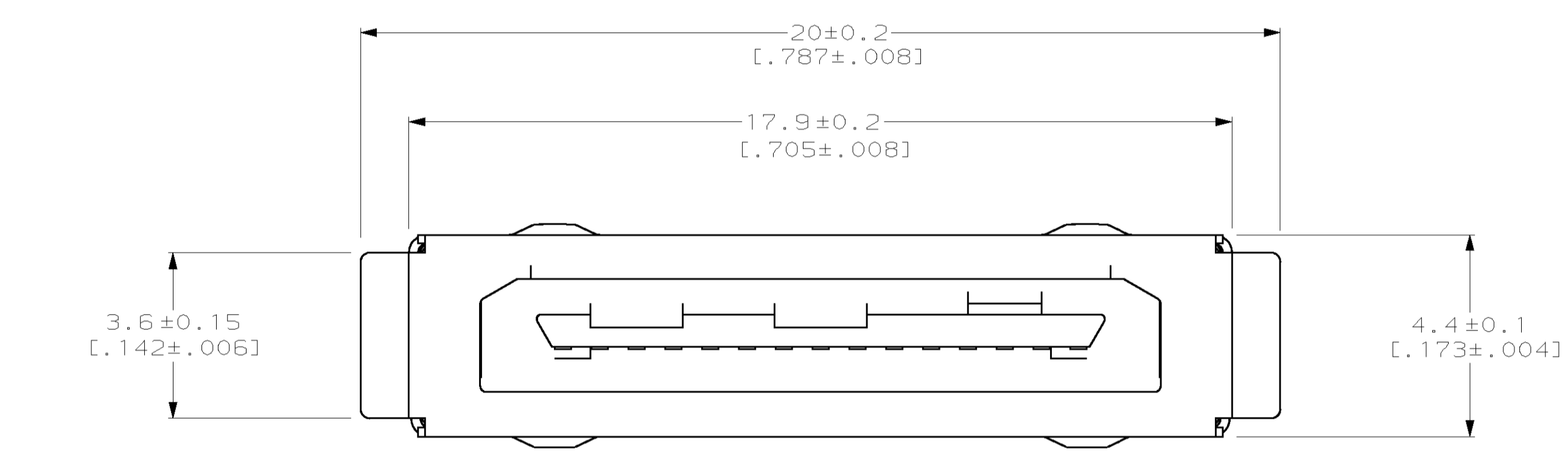


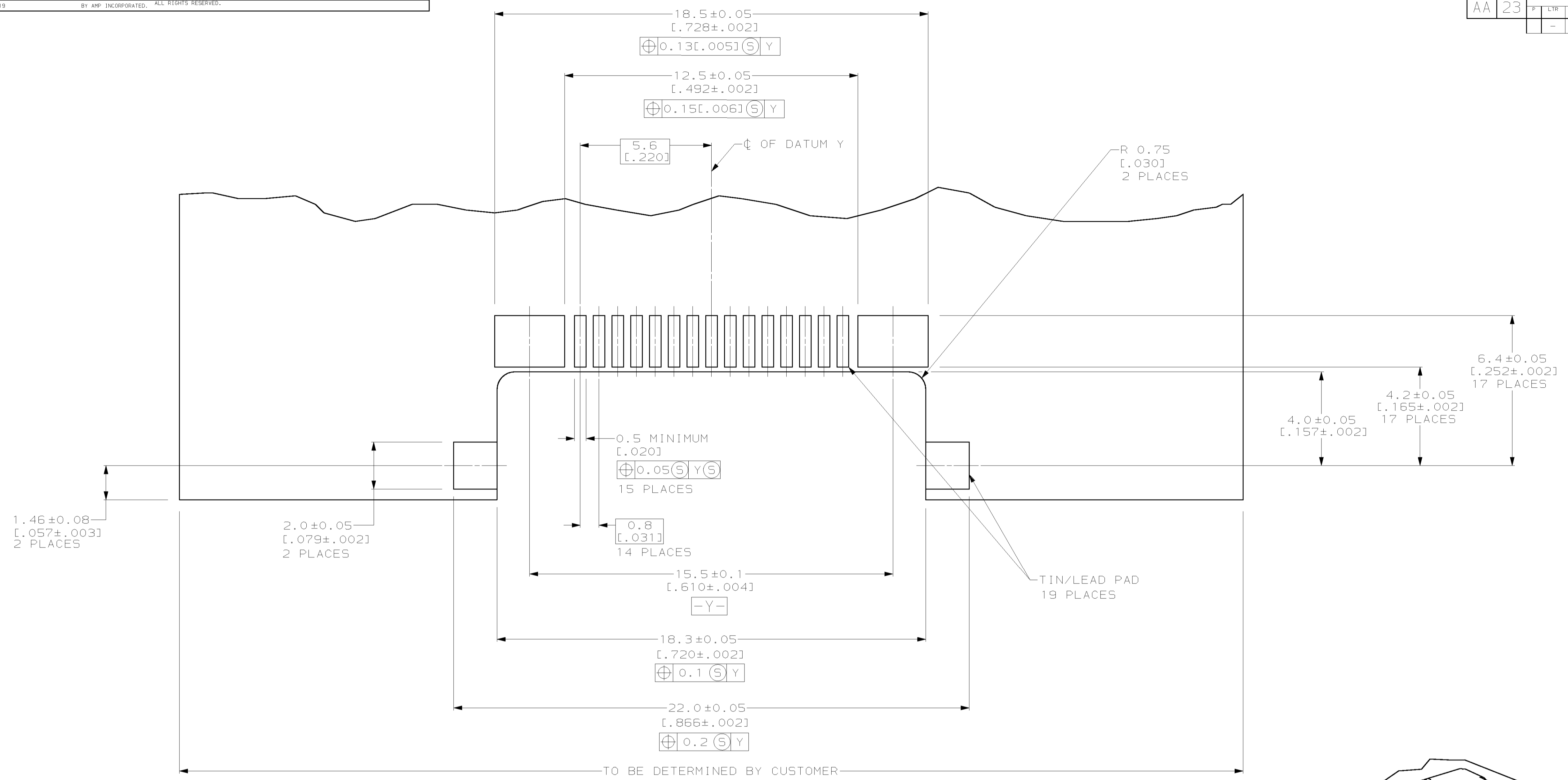
⚠ MATERIAL: HOUSING - NYLON MOLDING COMPOUND, 94V-0, GLASS FILLED, BLACK. TERMINALS - 0.25[.010] THICK BRASS PLATED WITH 0.254 MICRONS[.000010] MINIMUM THICK GOLD OVER 1.016 MICRONS [0.00040] MINIMUM THICK PALADIUM NICKEL OVER 0.05 MICRONS[.000002] MINIMUM THICK GOLD IN CONTACT AREAS AND 3.8 MICRONS[.000150] MINIMUM THICK TIN-LEAD ON SOLDER TINES OVER 2.54 MICRONS[.000100] MINIMUM THICK NICKEL UNDERPLATE. SHIELD - STAINLESS STEEL, TIN-LEAD PLATED STRIKER PLATE- STAINLESS STEEL.

⚠ DIMENSIONS ARE MAXIMUM UNLESS OTHERWISE SPECIFIED.

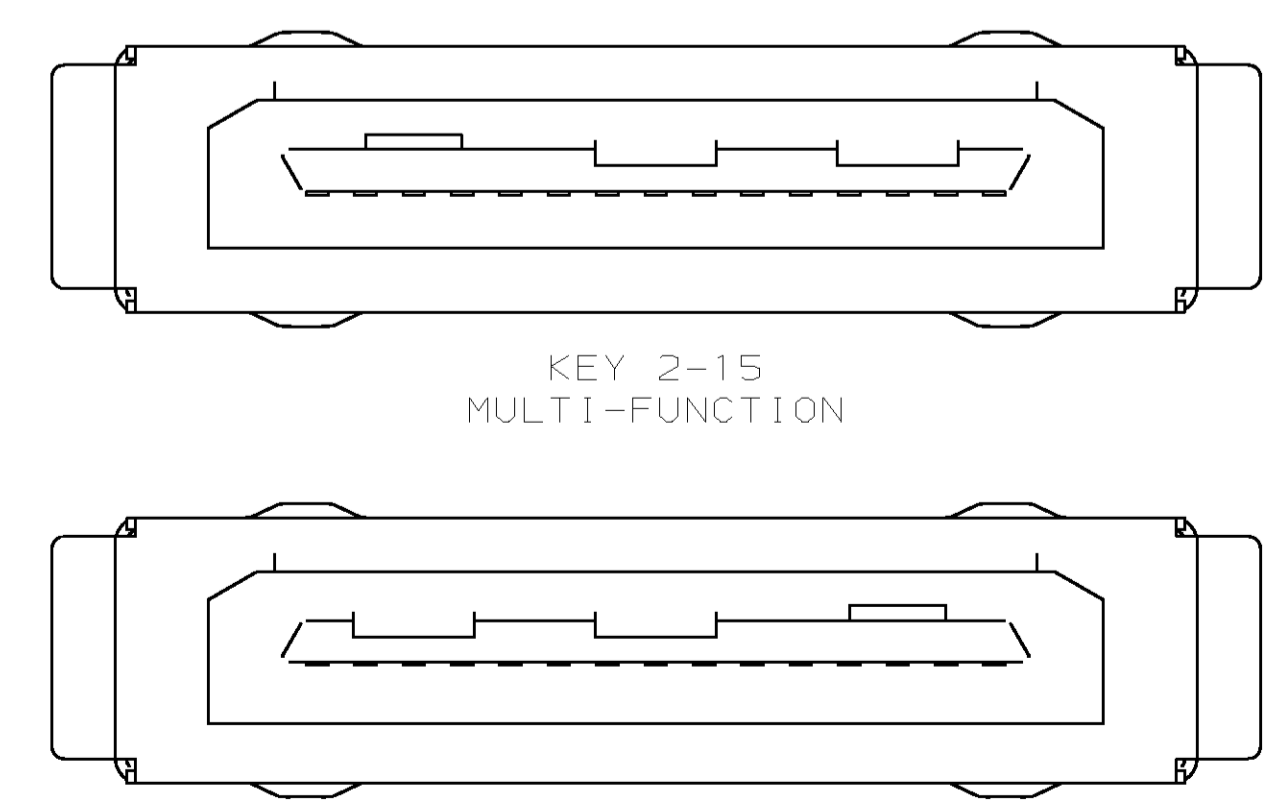
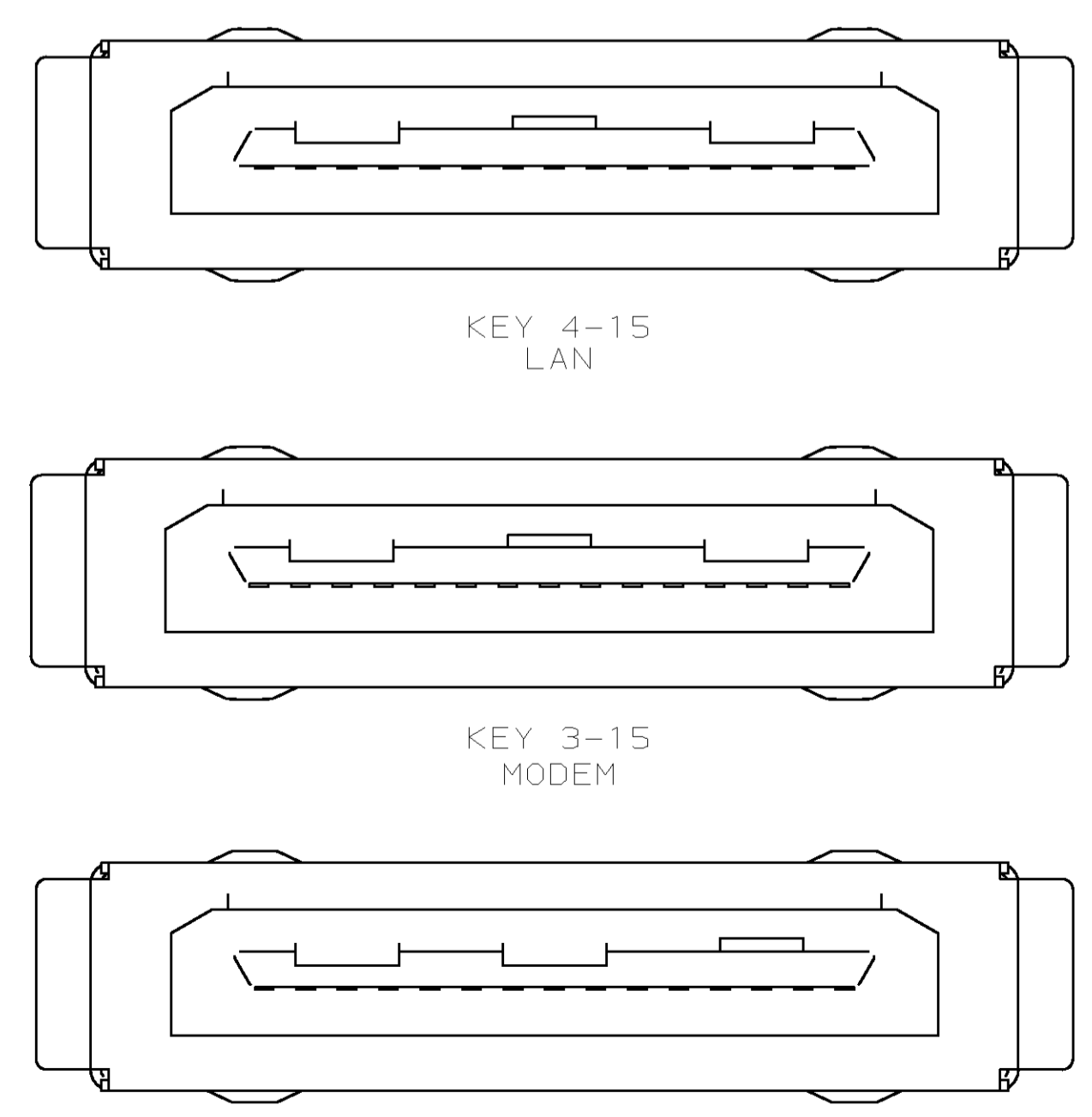


TAPE & REEL	KEY 5-15	5-558556-5
TAPE & REEL	KEY 4-15	5-558556-4
TAPE & REEL	KEY 3-15	5-558556-3
TAPE & REEL	KEY 2-15	5-558556-2
TAPE & REEL	KEY 1-15	5-558556-1
TRAY	KEY 5-15	558556-5
TRAY	KEY 4-15	558556-4
TRAY	KEY 3-15	558556-3
TRAY	KEY 2-15	558556-2
TRAY	KEY 1-15	558556-1
PACKAGING	KEYING OPTION	PART NUMBER

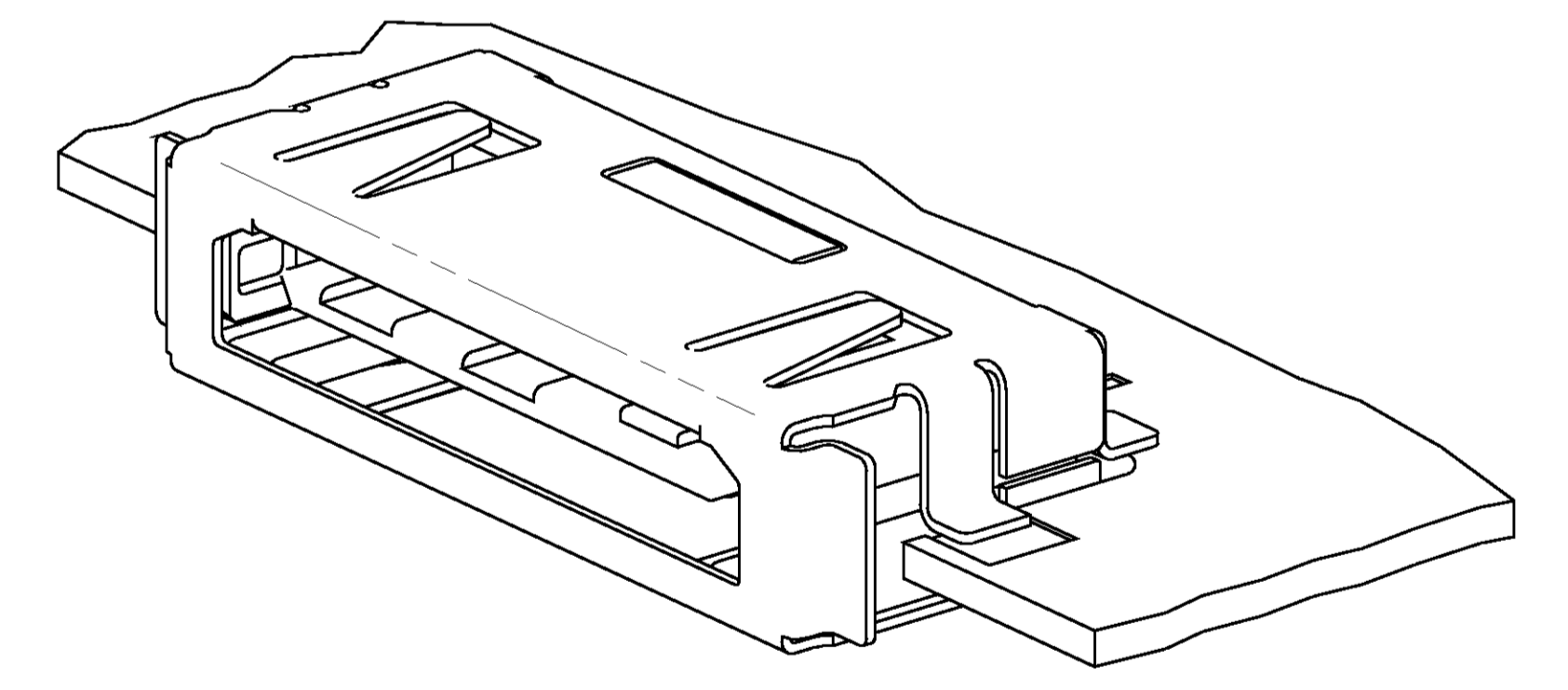
<small>THIS DRAWING IS A CONTROLLED DOCUMENT FOR AMP INCORPORATED. IT IS SUBJECT TO CHANGE AND THE CONTROLLING ENGINEERING ORGANIZATION SHALL BE CONTACTED FOR THE LATEST REVISION.</small>		DWN: R. BURCH/UTA 24 SEPT 96 CHK: N. JONES 11 OCT 96 APVD: J. TRAMMEL 18 OCT 96	<b>AMP</b> AMP Incorporated Harrisburg, PA 17105-3608
DIMENSIONS: mm (INCHES)	TOLERANCES UNLESS OTHERWISE SPECIFIED: 0 PLC ±.010 1 PLC ±.010 2 PLC ±.010 3 PLC ±.010 4 PLC ±.010 ANGLES ±.010	PRODUCT SPEC: - APPLICATION SPEC: - WEIGHT: - CUSTOMER DRAWING	NAME: HEADER ASSEMBLY, SHIELDED, SERIES III INFOPORT™ SIZE: A1 CAGE CODE: 00779 DRAWING NO: C-558556 SCALE: 10:1 SHEET: 1 OF 2 REV: C



SUGGESTED PC BOARD MOUNTING DIMENSIONS



KEYING OPTIONS SCALE 8:1



<small>THIS DRAWING IS A CONTROLLED DOCUMENT FOR AMP INCORPORATED. IT IS SUBJECT TO CHANGE AND THE CONTROLLING ENGINEERING ORGANIZATION SHALL BE CONTACTED FOR THE LATEST REVISION.</small>		DWN: R. BURCH/UTA 24 SEPT 96 CHK: N. JONES 11 OCT 96 APVD: J. TRAMMEL 18 OCT 96	<b>AMP</b> AMP Incorporated Harrisburg, PA 17105-3608
DIMENSIONS: mm [INCHES]	TOLERANCES UNLESS OTHERWISE SPECIFIED: 0 PLC ± 1 PLC ± 2 PLC ± 3 PLC ± 4 PLC ± ANGLES ±	NAME: J. TRAMMEL PRODUCT SPEC: - APPLICATION SPEC: - WEIGHT: -	SIZE: A1 CAGE CODE: 00779 DRAWING NO: C-558556 SCALE: 10:1 SHEET 2 OF 2 REV C
MATERIAL: $\triangle$ FINISH: $\triangle$		CUSTOMER DRAWING	